

# MODEL EA-4DHP

Extruded Aluminum Louver • 4" Deep • Drainable Blades • Stationary • Channel Type

### Standard Materials and Construction

**FRAME:** .081" thick (nominal) extruded aluminum, 6063-T52/T6 alloy. Also available as .125" thick.

**BLADE:** .081" thick (nominal) extruded aluminum, 6063-T52/T6 alloy. Blades approximately 3" on centers.

**LOUVER FACE:** Full width sill, with blades and head contained in jambs.

**SCREEN:** (When indicated.)

1/2" flattened aluminum (.051" thick),

-or- 1/2" sq. mesh, intermediate double-crimped aluminum wire, .063" dia.,

-or- 1 5/16 mesh, .011" dia. aluminum wire, insect screen.

**FINISH:** Mill

### Options

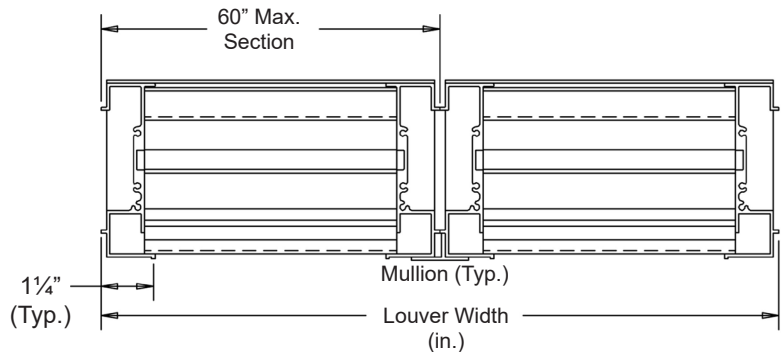
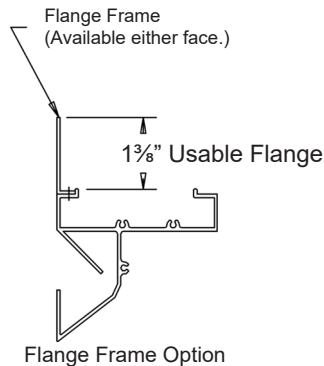
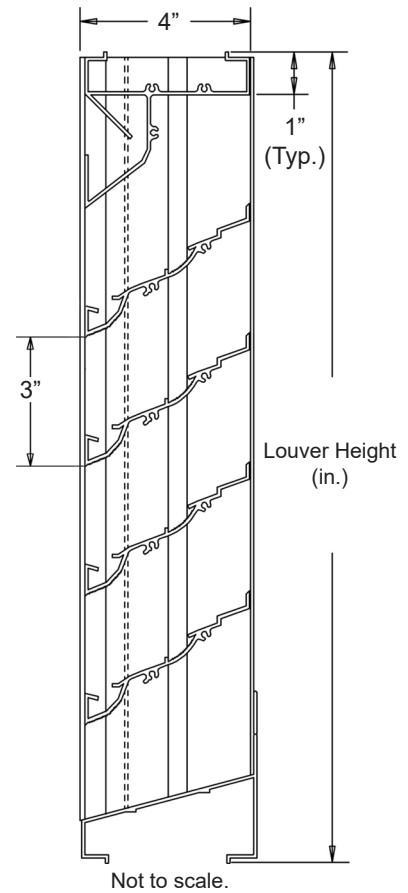
Finish - Baked Enamel, Kynar, Anodize

### Notes

- 1/2" nominal deduction will be made to the opening size given.
- Approximate shipping weight is 5.0 lbs./sq.ft.

### Louver Sizes

| Min Panel   | Max Single Panel |
|-------------|------------------|
| 12"W x 12"H | 60"W x 96"H      |



| Item #        | Qty | Width        | Height | Width       | Height | Mullion | Type    | Location | Union Made |
|---------------|-----|--------------|--------|-------------|--------|---------|---------|----------|------------|
|               |     | Opening Size |        | Louver Size |        |         | Screens |          |            |
| Arch. / Eng.: |     |              |        |             |        | EDR:    |         | ECN:     | Job:       |
| Contractor:   |     |              |        |             |        |         |         |          |            |
| Project:      |     |              |        |             |        | Date:   |         | DWN:     | DWG:       |

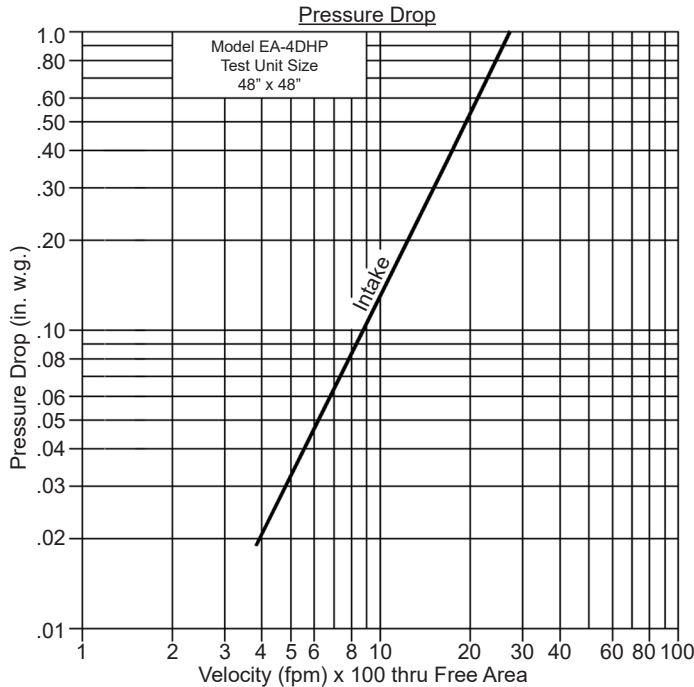
# MODEL EA-4DHP

Extruded Aluminum Louver • 4" Deep • Drainable Blades • Stationary • Channel Type

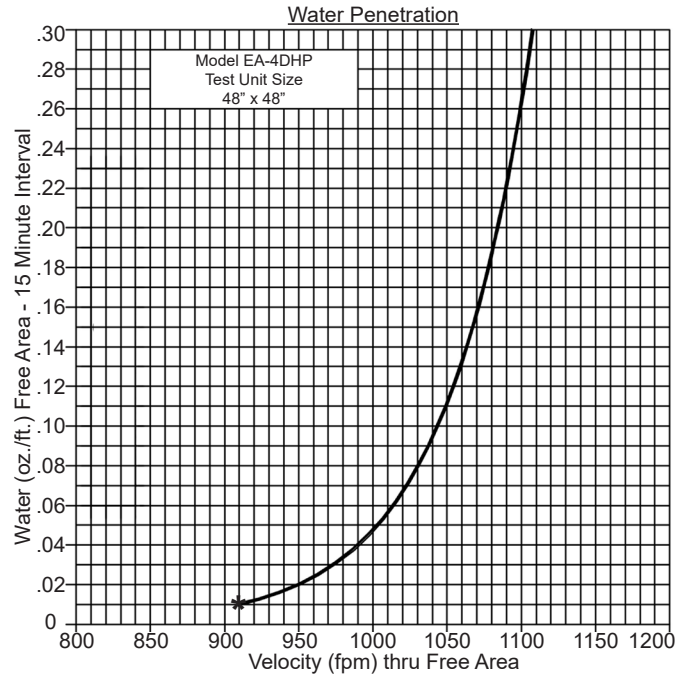
## Performance Data

Pressure Drop: .13 in. w.g. at 1000 fpm (intake)  
 Free Area: 9.63 sq.ft. = 61% for 48"W x 48"H sample tested in accordance with AMCA Standard 500-L.  
 Beginning Point of Water Penetration: 909 fpm

Ratings do not include effects of a screen.



Intake air converted to standard air density.  
 Tested to AMCA Standard 500-L, Figure 5.5.



909 (FPM) Beginning Point of Water Penetration

|              |      | Free Area (sq.ft.) |      |       |       |       |       |       |       |       |
|--------------|------|--------------------|------|-------|-------|-------|-------|-------|-------|-------|
|              |      | Width (in.)        |      |       |       |       |       |       |       |       |
|              |      | 12"                | 18"  | 24"   | 30"   | 36"   | 42"   | 48"   | 54"   | 60"   |
| Height (in.) | 12"  | .35                | .57  | .79   | 1.01  | 1.23  | 1.45  | 1.67  | 1.89  | 2.11  |
|              | 24"  | .91                | 1.48 | 2.05  | 2.62  | 3.20  | 3.77  | 4.34  | 4.91  | 5.48  |
|              | 36"  | 1.46               | 2.39 | 3.31  | 4.24  | 5.16  | 6.09  | 7.01  | 7.93  | 8.86  |
|              | 48"  | 2.02               | 3.30 | 4.57  | 5.85  | 7.13  | 8.40  | 9.63  | 10.96 | 12.23 |
|              | 60"  | 2.58               | 4.21 | 5.84  | 7.47  | 9.09  | 10.72 | 12.35 | 13.98 | 15.61 |
|              | 72"  | 3.14               | 5.12 | 7.10  | 9.08  | 11.06 | 13.04 | 15.02 | 17.00 | 18.98 |
|              | 84"  | 3.69               | 6.03 | 8.36  | 10.69 | 13.03 | 15.36 | 17.69 | 20.03 | 22.36 |
| 96"          | 4.25 | 6.94               | 9.62 | 12.31 | 14.99 | 17.68 | 20.36 | 23.05 | 25.73 |       |



Arrow United Industries certifies that the Model EA-4DHP shown herein is licensed to bear the AMCA Seal. The ratings shown are based on tests and procedures performed in accordance with AMCA Publication 511 and comply with the requirements of the AMCA Certified Ratings Program. The AMCA Certified Ratings Seal applies to Water Penetration and Air Performance ratings only.