

# Flanged Brick Vents

Brick Vent • 1½" Deep • 45° Straight Blades • Stationary • Flange Frame • Extruded Aluminum

## Standard Materials and Construction

- FRAME:** .125" thick (nominal) extruded aluminum.
- BLADE:** .125" thick (nominal) extruded aluminum.
- SCREEN:** 18/16 Mesh, .011" dia. aluminum wire, insect screen.
- FINISH:** Clear anodized finish is standard.

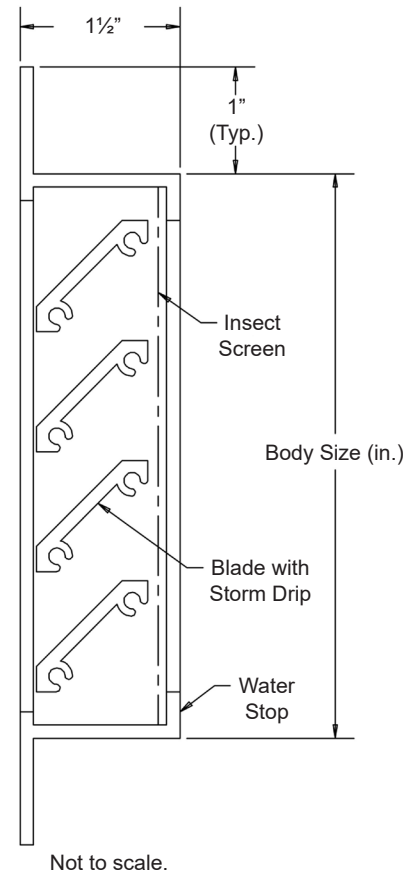
## Options

Finish - Baked Enamel, Kynar, Anodize

## Notes

1. ½" nominal deduction will be made to the opening size given unless otherwise stated.
2. Many stock sizes are available for immediate shipment. Brick vents are also available in practically any width or height.

| Body Size  | Minimum Opening Size | Free Area (Sq. In.) |
|------------|----------------------|---------------------|
| 8½" x 2¾"  | 8½" x 2⅝"            | 4.18                |
| 8½" x 4¾"  | 8½" x 5"             | 11.52               |
| 8½" x 7¾"  | 8½" x 8"             | 19.58               |
| 16½" x 2¾" | 17" x 2⅝"            | 8.64                |
| 16½" x 4¾" | 17" x 5"             | 28.22               |
| 16½" x 7¾" | 17" x 8"             | 40.32               |
| 12" x 2¾"  | 12½" x 2⅝"           | 6.34                |
| 12" x 4¾"  | 12½" x 5"            | 17.28               |
| 24" x 4¾"  | 24½" x 5"            | 39.02               |
| 24" x 7¾"  | 24½" x 8"            | 58.75               |



For custom size Brick Vents, contact customer service for details.

