

MODEL AF-206

Extruded Aluminum Damper • 5" Deep • 6" Airfoil Blades • Parallel • Jamb Linkage

Standard Materials and Construction

- FRAME:** 12-GA (.081" nominal) extruded aluminum. Hat channel, on four (4) sides, with reinforcing bosses and groove inserts for silicone seals. 5" deep.
- BLADE:** 12-GA (.081" nominal) extruded aluminum. Single unit airfoil design, with the pin-lock an integral section within the blade core. 6" wide (4" and 5" wide available).
- SHAFTS:** 1/2" dia. extruded aluminum, pin-lock design interlocking into blade section.
- BEARINGS:** "Double-Sealed" type with celcon inner bearing on axle riding in polycarbonate outer bearing inserted in frame so that outer bearing cannot rotate. Axle bearings to be designed for no metal-to-metal or metal-to-bearing riding surfaces. Interconnecting linkage to have celcon bearings to eliminate friction in linkage.
- SEALS:** Extruded silicone rubber seal. Stainless steel spring jamb seals. Fit into dovetail-shaped slots on both frames and blades.
- LINKAGE:** In jamb. Aluminum crank-arm permanently locked to blade shaft by two stainless steel fasteners. Crank-arm contains a 1/2" dia., machined steel trunnion riding in a celcon bearing. A plated steel 1/4" - 20 set screw with locking patch ties the pivot to the 3/16" dia. aluminum linkage rod. Linkage of each damper is individually adjusted.
- FINISH:** Mill.

Options

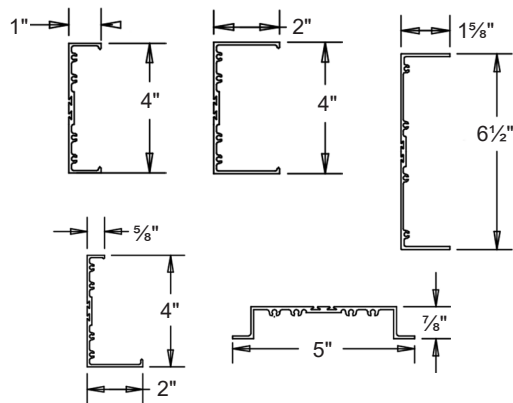
- Hand Quadrants
- 120V, 24V Electric, or Pneumatic Actuators
- Jackshifting
- Auxiliary Switch
- Explosion Proof Housing

Notes

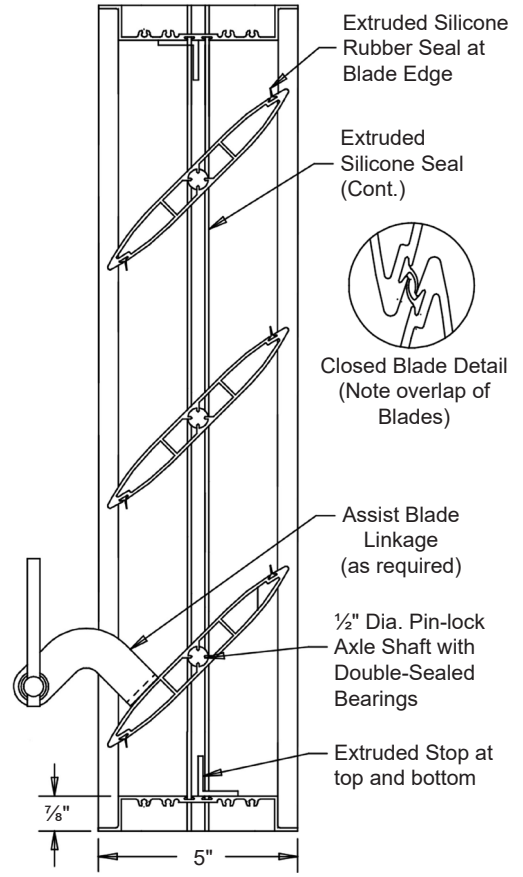
1. 1/4" nominal deduction will be made to the opening size given.
2. Please specify whether opposed or parallel blade orientation is required.
3. Approximate shipping weight is 5.5 lbs./sq.ft.

Damper Sizes

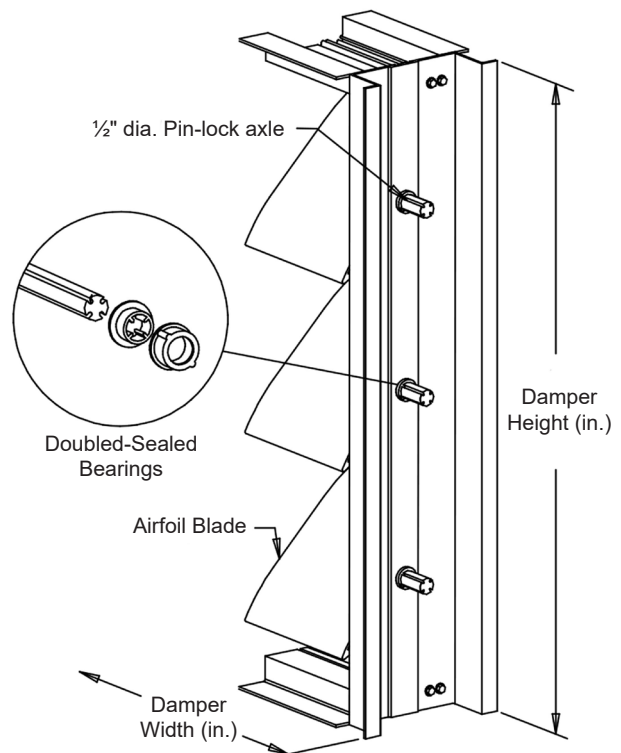
Model	Min Panel	Max Single Panel
Parallel	6"W x 6 1/4"H	60"W x 96"H
Opposed	6"W x 6 1/4"H	60"W x 96"H



Optional Frames Available



Parallel Blade Damper



Parallel Blade Damper

Standard Materials and Construction

- FRAME:** 12-GA (.081" nominal) extruded aluminum. Hat channel, on four (4) sides, with reinforcing bosses and groove inserts for silicone seals. 5" deep.
- BLADE:** 12-GA (.081" nominal) extruded aluminum. Single unit airfoil design, with the pin-lock an integral section within the blade core. 6" wide (4" and 5" wide available).
- SHAFTS:** 1/2" dia. extruded aluminum, pin-lock design interlocking into blade section.
- BEARINGS:** "Double-Sealed" type with celcon inner bearing on axle riding in polycarbonate outer bearing inserted in frame so that outer bearing cannot rotate. Axle bearings to be designed for no metal-to-metal or metal-to-bearing riding surfaces. Interconnecting linkage to have celcon bearings to eliminate friction in linkage.
- SEALS:** Extruded silicone rubber seal. Stainless steel spring jamb seals. Fit into dovetail-shaped slots on both frames and blades.
- LINKAGE:** In jamb. Aluminum crank-arm permanently locked to blade shaft by two stainless steel fasteners. Crank-arm contains a 1/2" dia., machined steel trunnion riding in a celcon bearing. A plated steel 1/4 - 20 set screw with locking patch ties the pivot to the 3/16" dia. aluminum linkage rod. Linkage of each damper is individually adjusted.
- FINISH:** Mill.

Options

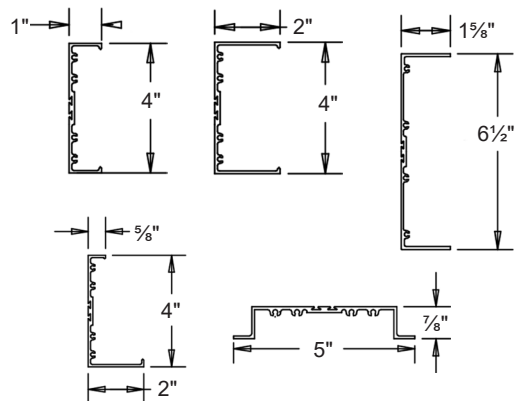
- Hand Quadrants
- 120V, 24V Electric, or Pneumatic Actuators
- Jackshifting
- Auxiliary Switch
- Explosion Proof Housing

Notes

1. 1/4" nominal deduction will be made to the opening size given.
2. Please specify whether opposed or parallel blade orientation is required.
3. Approximate shipping weight is 5.5 lbs./sq.ft.

Damper Sizes

Model	Min Panel	Max Single Panel
Parallel	6"W x 6 1/4"H	60"W x 96"H
Opposed	6"W x 6 1/4"H	60"W x 96"H



Optional Frames Available

