

MODEL 85

Transition Damper • 6½" Deep • Pin-Lock Blades • Parallel or Opposed • Round and Oval Transition • Extruded Aluminum

For use to 4 in. w.g. of static pressure

Standard Materials and Construction

FRAME: 1⅝" x 6½" x 1⅝" extruded aluminum channel frame with a .080" thick aluminum transition piece.

BLADE: Extruded aluminum, pin-lock design.

SHAFT: ½" dia. aluminum shaft, extends 7" beyond frame.

BEARINGS: Double-sealed.

LINKAGE: In jamb, out of air stream.

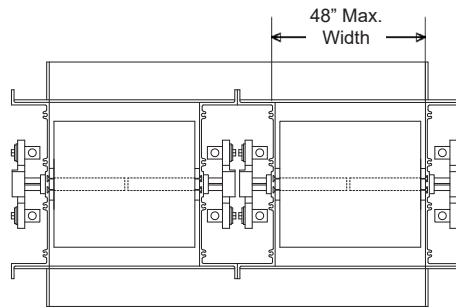
FINISH: Mill.

Notes

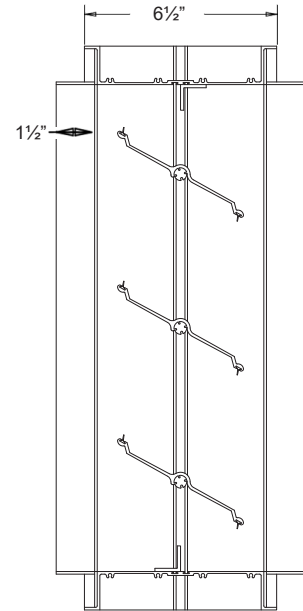
1. ¼" nominal deduction will be made to the opening size given.
2. Please specify blade position: Parallel or Opposed.
3. Approximate shipping weight is 7 lbs./sq.ft.

Damper Sizes

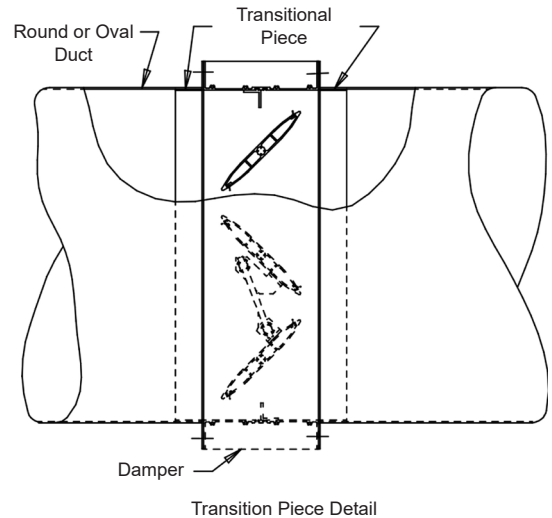
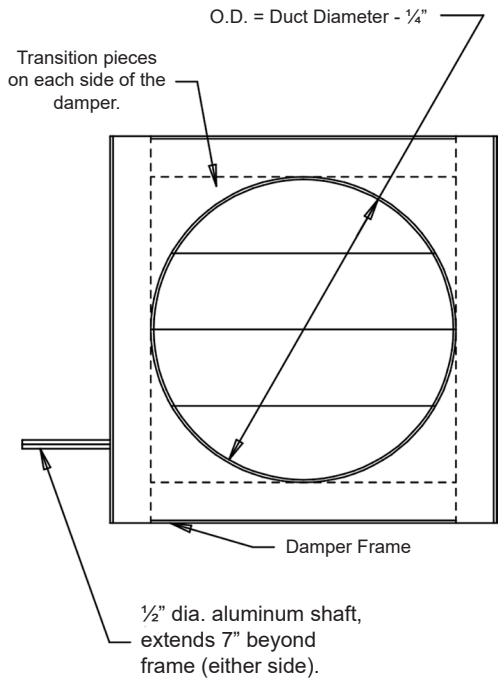
Min Size	Max Size
10"W x 10"H	48"W x 48"H



Opposed Blade Position



Parallel Blade Position
Not to scale.



Item #	Qty	Width	Height	Parallel	Opposed	Round	Oval	Union Made
		Damper Size (in.)		Blade Position		Transition Type		
Arch. / Eng.:				EDR:		ECN:		Job:
Contractor:								
Project:				Date:		DWN:		DWG: