

Extruded Aluminum Damper • 5" Deep • 6" Single Thickness Blades • Parallel (506) or Opposed (507)

Standard Materials and Construction

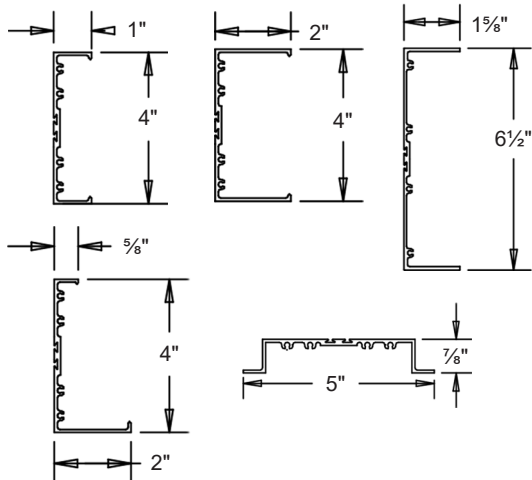
- FRAME:** 5" deep x 12 GA. (.081" nominal) extruded aluminum. Hat channel with reinforcing bosses and groove inserts for silicone seals.
- BLADE:** 6" wide x .125" thick (nominal) extruded aluminum. Single unit airfoil design, with the pin-lock an integral section within the blade core.
- SHAFTS:** ½" dia. extruded aluminum, pin-lock design interlocking into blade section.
- BEARINGS:** "Double-Sealed" type with celcon inner bearing on axle riding in polycarbonate outer bearing inserted in frame so that outer bearing cannot rotate. Axle bearings to be designed for no metal-to-metal or metal-to-bearing riding surfaces. Interconnecting linkage to have celcon bearings to eliminate friction in linkage.
- SEALS:** Extruded silicone rubber seal. Stainless steel spring jamb seals.
- LINKAGE:** Installed in frame, out of airstream. Installation of assist linkage shall be determined by the factory and installed as necessary. All hardware to be non-corrosive reinforced material or plated steel.
- FINISH:** Mill.

Options

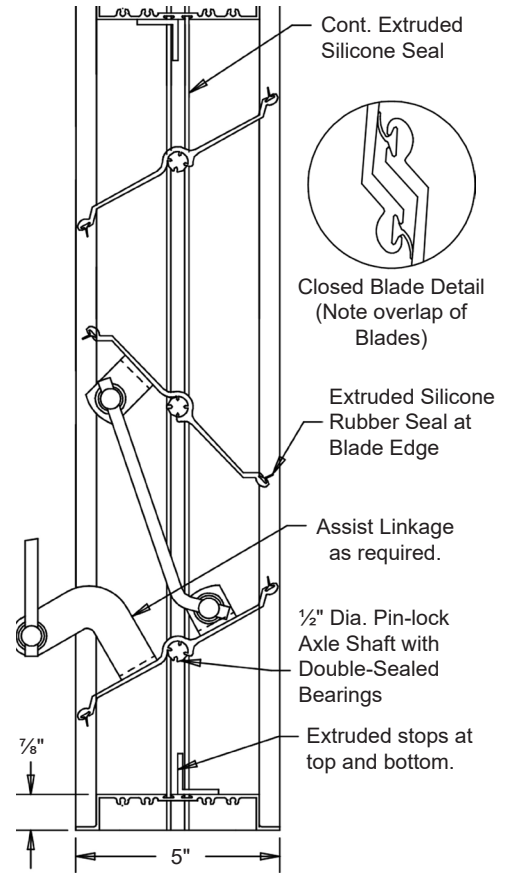
- Hand Quadrants
- 120V, 24V Electric, or Pneumatic Actuators
- Jackshafting
- Auxiliary Switch
- Explosion Proof Housing
- Clear anodize blades and frames (204-R1)
- 304 Stainless steel jamb linkage
- Stainless steel bearings

Notes

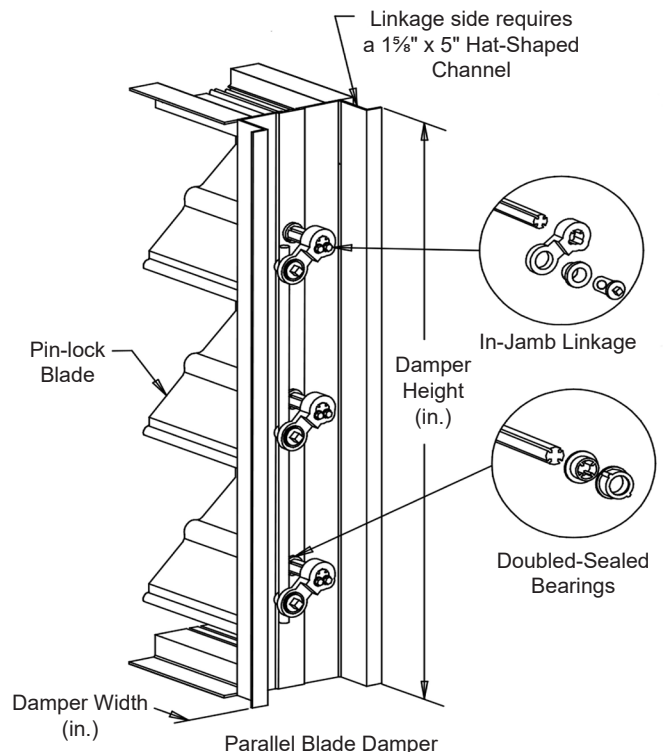
1. Nominal deductions will be made to the opening size given.
2. Please specify blade operation: 506 parallel blades or 507 opposed blades.
2. Approximate shipping weight is 5.5 lbs./sq.ft.



Optional Frames
.125" nominal thickness



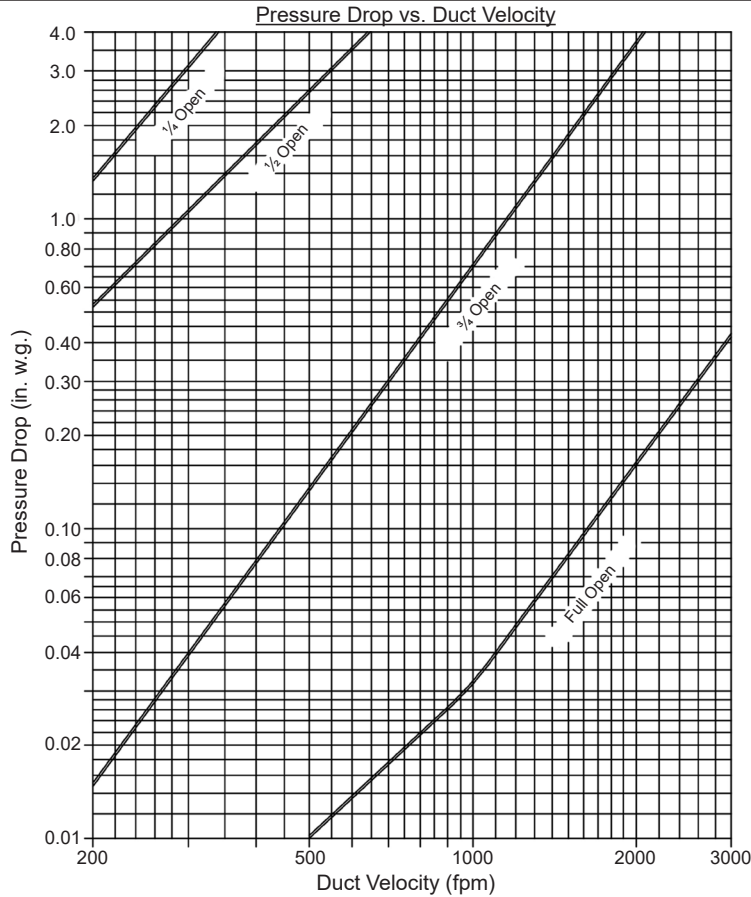
Opposed Blade Damper
Not to scale.



Extruded Aluminum Damper • 5" Deep • 6" Single Thickness Blades • Parallel (506) or Opposed (507)

Performance Data

Pressure drop ratings are based on AMCA Standard 500-D using test set-up Fig. 5.3 for damper installed with duct upstream and downstream. Static pressures are corrected to .075 lb/cu.ft. air density.



Air Leakage

Air Leakage ratings are based on AMCA Standard 500-D using test set-up Fig. 5.4. The test results indicate exceptional low leakage. Damper leakage performance meets specifications required less than 1/2% of 1% for damper range of sizes.

Maximum Damper Width	Maximum System Static Pressure	Maximum System Velocity	Air Leakage (CFM/sq.ft.)
48"	2.0" w.g.	2000 FPM	7.5 CFM/sq.ft.
36"	2.5 w.g.	2500 FPM	10.5 CFM/sq.ft.
24"	2.5" w.g.	2500 FPM	10.5 CFM/sq.ft.
12"	4.0" w.g.	3000 FPM	13.2 CFM/sq.ft.

Item #	Qty	Damper Width	Damper Height	
Arch. / Eng.:				
Contractor:				Union Made
Project:				
EDR:		ECN:		Job:
Date:		DWN:		DWG: