

Extruded Aluminum Louver • 4" Deep • Dual Combination • 45° Straight Blades • Intake or Exhaust

Standard Materials and Construction

FRAME: .081" thk. (nominal) extruded aluminum, 6063-T52/T6 alloy.

BLADE: .081" thk. (nominal) extruded aluminum, 6063-T52/T6 alloy.
Operable blade is .050" thk (nominal). Blades are approximately 4" on centers.

LOUVER FACE: Full width head and sill with blades contained within jambs.

SCREEN: (When indicated, in a removable frame)
½" flattened aluminum, .051" thk,

-or- Insect screen 1⁸/₁₆ aluminum mesh, .011" thk,

-or- ½" sq. mesh intermediate double crimped aluminum wire, .063" dia,

FINISH: Mill.

Options

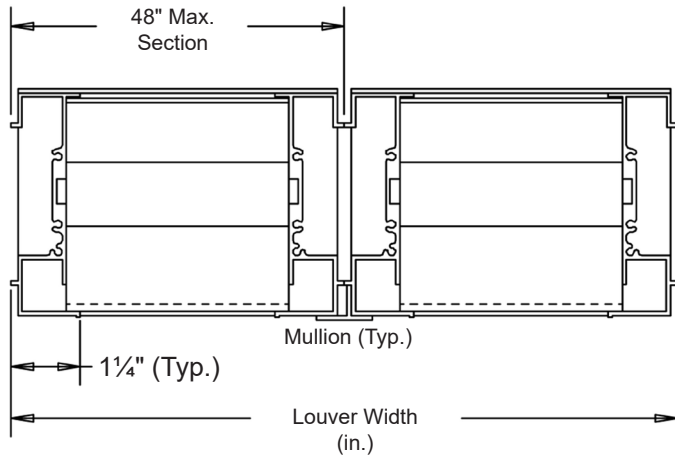
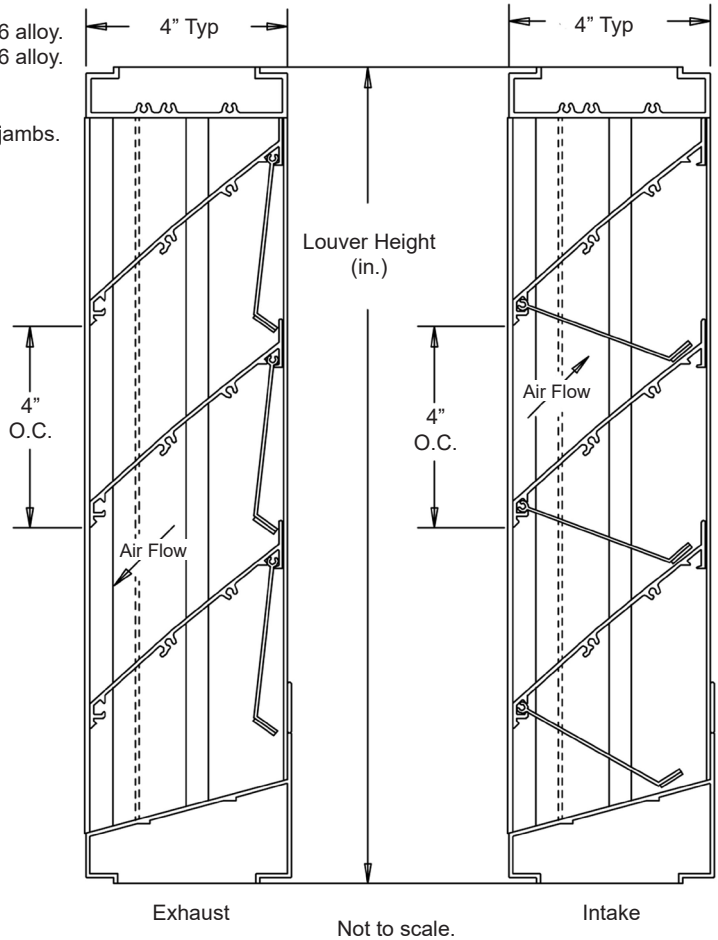
Finishes - Enamels, Epoxies, etc.


Notes

1. ½" nominal deduction will be made to the opening size given.
2. Inter-connecting linkage and counterweights are not available.
3. Specify type when ordering: intake or exhaust.
4. Approximate shipping weight is 5.6 lbs./sq.ft.

Louver Sizes

Min Panel	Max Single Panel
12"W x 12"H	48"W x 96"H

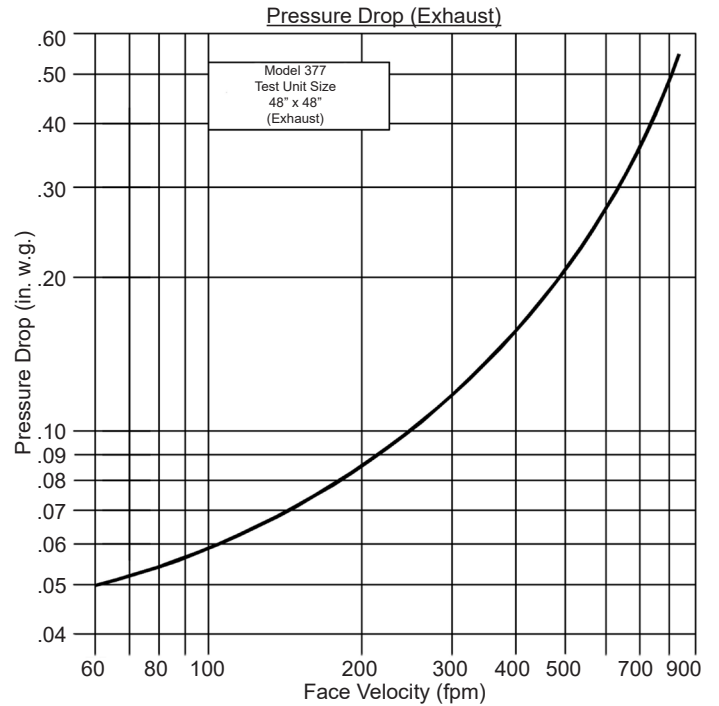
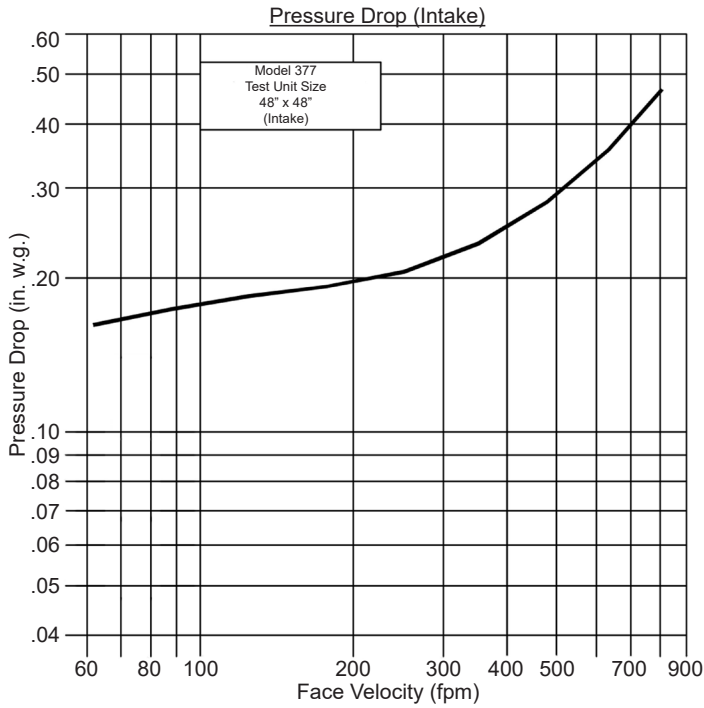


												
Item #	Qty	Width	Height	Width	Height	Mullion	Type	Location	Intake	Exhaust		
		Opening Size		Louver Size			Screens		Airflow Type		Union Made	
Arch. / Eng.:						EDR:		ECN:		Job:		
Contractor:												
Project:						Date:		DWN:		DWG:		

Pressure Drop Data

Without Ductwork

Louver installed per AMCA Standard 500-L, Figure 5.4 (Face Mounted to a Plenum).
Pressure is corrected to .075 lb./cu. ft. air density.



Typical performance for Model 377 combination louver, without the use of blade linkage, counterweights, and screens.