

**Backdraft Damper • 2" Deep • Single Thickness Blades • Pressure Relief Shutter • Extruded Aluminum**

Standard Materials and Construction

- FRAME:** Standard 5/8" x 2" x 5/8" extruded aluminum channel, .080" thick (nominal).
- BLADES:** .060" thick (nominal) extruded aluminum.
- SHAFT:** 3/16" plated steel stub.
- SEALS:** Polyurethane foam at blade edges, none at jambs.
- BEARINGS:** 3/16" I.D. Oilite bronze.

Options

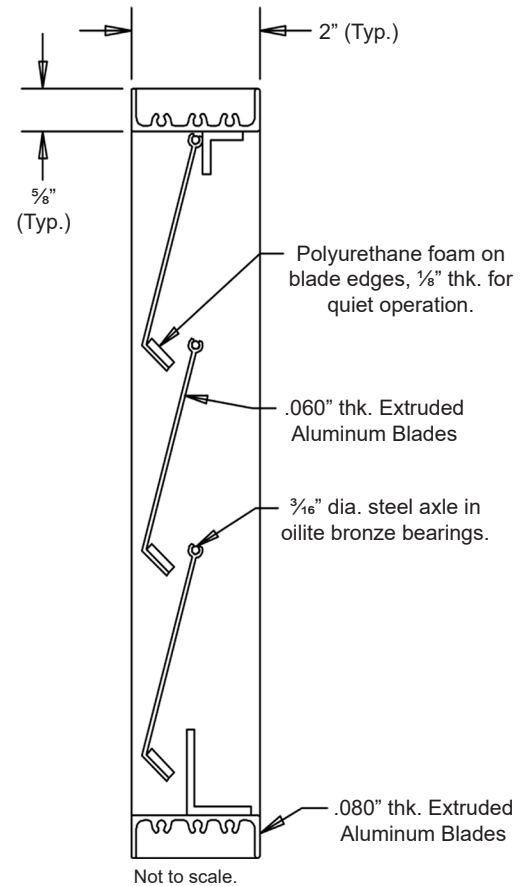
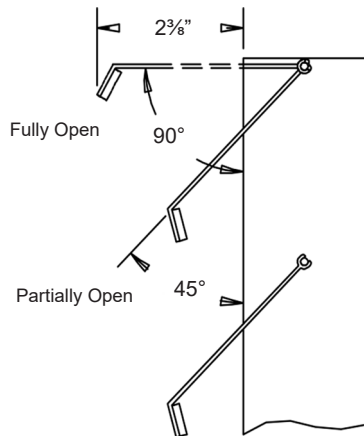
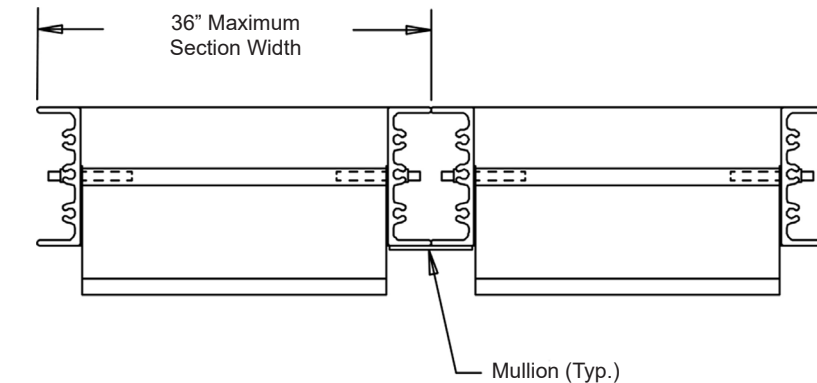
Various types of bird and insect screens.

Notes

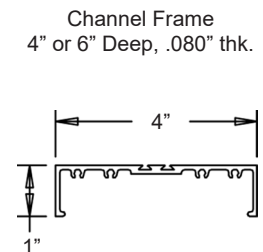
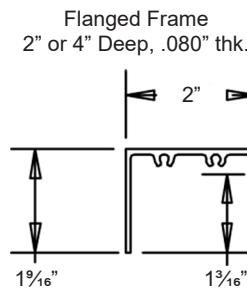
1. 1/4" nominal deduction will be made to the opening size given.
2. For counterweights, please specify airflow direction (horizontal, vertical up, or vertical down) and whether to the counterweight should assist or resist the damper opening.


Damper Sizes

Min Panel	Max Single Panel
12"W x 12"H	36"W x 72"H



Optional Frames



Item #	Qty	Opening Size		Damper Size		Mullion	Air Flow (Direction)		Job:	 Union Made
		Width	Height	Width	Height		EDR:	ECN:		
Arch. / Eng.:										
Contractor:										
Project:						Date:	DWN:	DWG:		