

MODEL 117F

Thinline Fire Damper • 1½" Deep • 1½ Hr. Rated • Curtain Blade • Vertical Mount • Static Rated • Galvanized Steel

Standard Materials and Construction

FRAME: 22-GA one-piece roll-formed galvanized steel.

BLADE: 22-GA galvanized steel curtain-type.

FUSIBLE LINK: UL-Listed 165°F, replaceable.

FINISH: Mill.

Options

212°F Replaceable Fuse Link

Factory Supplied Sleeve (20-GA through 10-GA)

PK1202 Position Indicator Switch

Tab-Lock Retaining Angles

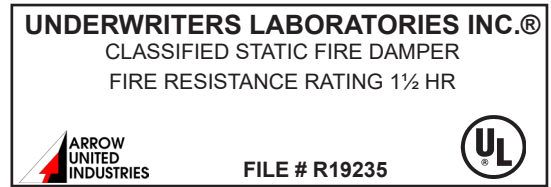
Pull Ring

Notes

1. Nominal deductions will be made to the opening size given.

Damper Sizes

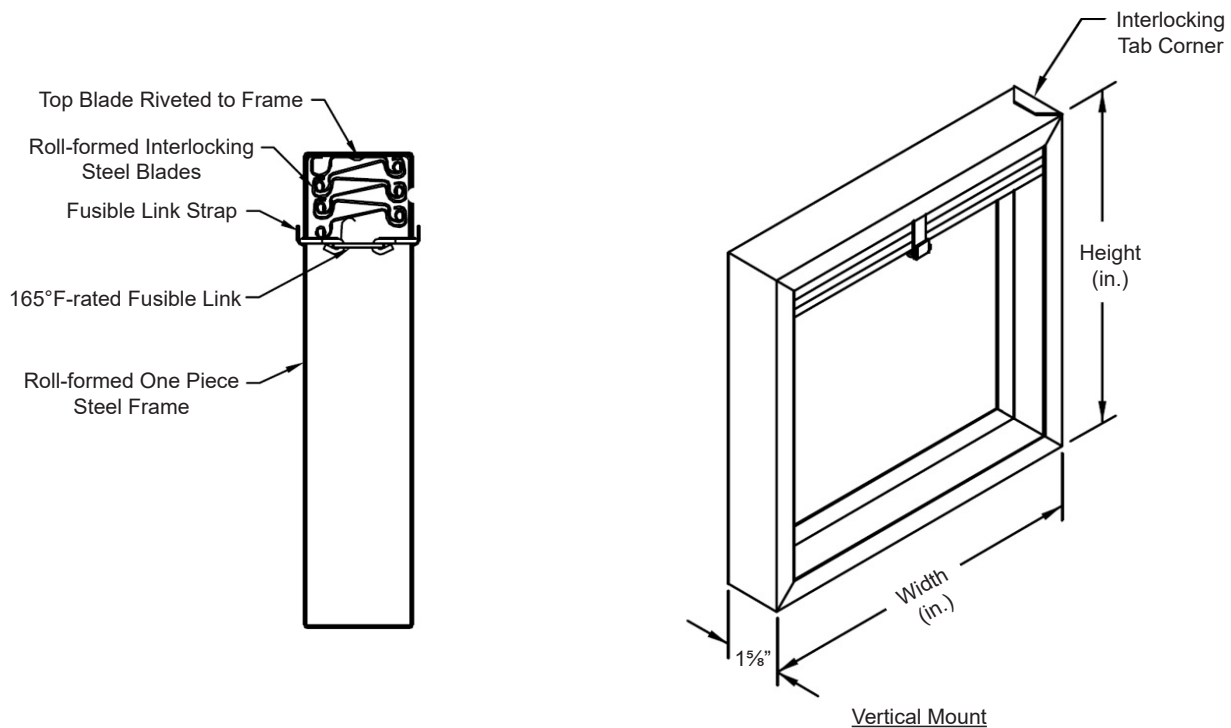
Panels	Min Panel	Max Single Panel
F	4"W x 4"H	40"W x 40"H



This fire damper meets the construction and performance requirements of:

- Underwriters Laboratories Inc. Standard 555
- National Fire Protection Association Standards 80, 90A, 101
- ICC's International Building Code
- California State Fire Marshal Listing #3225-1328:100

- Underwriters Laboratories Inc. Approved for or dual direction airflow and static closure conditions.
- Underwriters Laboratories Inc. Classified for use in fire resistive ratings of less than 3 hours.



			Vertical	165°F	212°F					
Item #	Qty	Damper Size	Orientation	Fusible Link						
Arch. / Eng.:				EDR:		ECN:		Job:		
Contractor:										
Project:				Date:		DWN:		DWG:		

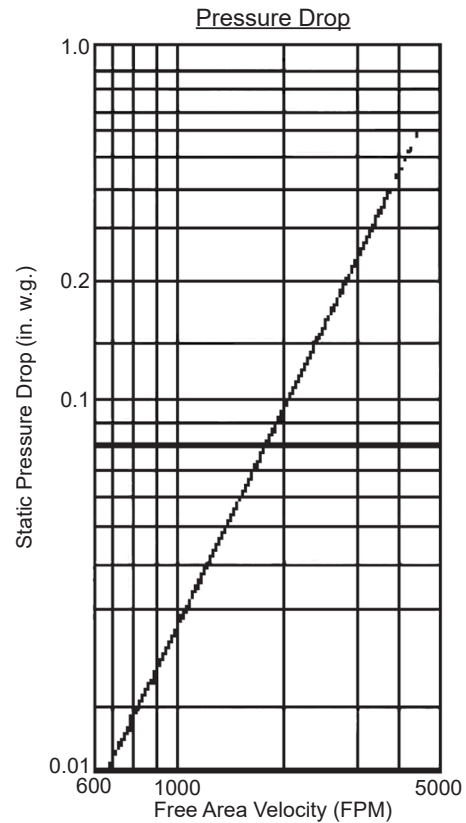
Thinline Fire Damper • 1½" Deep • 1½ Hr. Rated • Curtain Blade • Vertical Mount • Static Rated • Galvanized Steel

Performance Data

Free Area (sq.ft.)

		Width (in.)									
		4	8	12	16	20	24	28	32	36	40
Height (in.)	4	0.03	0.08	0.1	0.2	0.2	0.3	0.3	0.4	0.4	0.5
	8	0.1	0.2	0.4	0.5	0.6	0.8	0.9	1.0	1.2	1.3
	12	0.2	0.4	0.6	0.8	1.1	1.3	1.5	1.8	2.0	2.2
	16	0.2	0.5	0.8	1.2	1.5	1.8	2.1	2.4	2.7	3.1
	20	0.3	0.7	1.10	1.5	1.9	2.3	2.8	3.2	3.6	4.0
	24	0.3	0.8	1.3	1.8	2.3	2.8	3.3	3.8	4.3	4.8
	28	0.4	1.0	1.6	2.2	2.8	3.5	4.1	4.7	5.3	5.9
	32	0.4	1.1	1.8	2.5	3.2	3.9	4.5	5.2	5.9	6.6
	36	0.5	1.3	2.1	2.8	3.6	4.4	5.2	6.0	6.8	7.5
40	0.5	1.4	2.3	3.2	4.0	4.9	5.8	6.6	7.5	8.4	

$$\text{Free Area Velocity (FPM)} = \frac{\text{Flow (cfm)}}{\text{Free Area (sq.ft.)}}$$



This product was tested in accordance with AMCA Standard 500D, Figure 5.3.

Intake air converted to standard air density.