

Flanged Brick Vents

Brick Vent • 1½" Deep • 45° Straight Blades • Stationary • Flange Frame • Extruded Aluminum

Standard Materials and Construction

- FRAME:** .125" thick (nominal) extruded aluminum.
- BLADE:** .125" thick (nominal) extruded aluminum.
- SCREEN:** 18/6 Mesh, .011" dia. aluminum wire, insect screen.
- FINISH:** Clear anodized finish is standard.

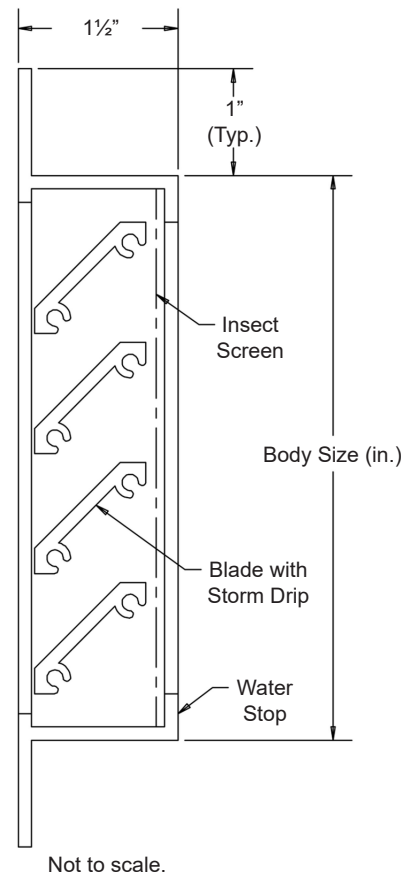
Options

Finish - Baked Enamel, Kynar, Anodize

Notes

1. Nominal deductions will be made from opening dimensions given unless otherwise stated.
2. Many stock sizes are available for immediate shipment. Brick vents are also available in practically any width or height.

Stock Sizes Available		Minimum Opening Size	Free Area (Sq. In.)
Model No.	Body Size		
825	8 1/8" x 2 3/8"	8 1/2" x 2 5/8"	4.18
847	8 1/8" x 4 3/4"	8 1/2" x 5"	11.52
808	8 1/8" x 7 3/4"	8 1/2" x 8"	19.58
162	16 1/2" x 2 3/8"	17" x 2 5/8"	8.64
164	16 1/2" x 4 3/4"	17" x 5"	28.22
168	16 1/2" x 7 3/4"	17" x 8"	40.32
123	12" x 2 3/8"	12 1/2" x 2 5/8"	6.34
125	12" x 4 3/4"	12 1/2" x 5"	17.28
244	24" x 4 3/4"	24 1/2" x 5"	39.02
248	24" x 7 3/4"	24 1/2" x 8"	58.75



For custom size Brick Vents, contact customer service for details.

