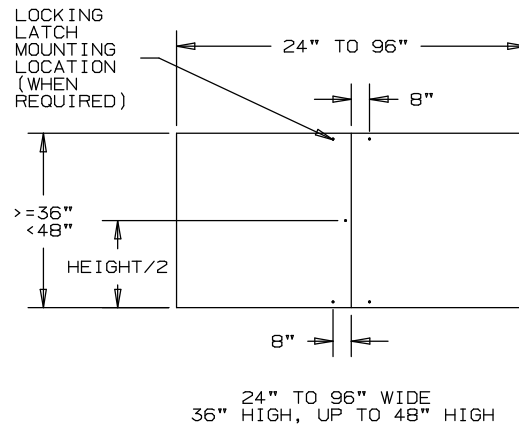
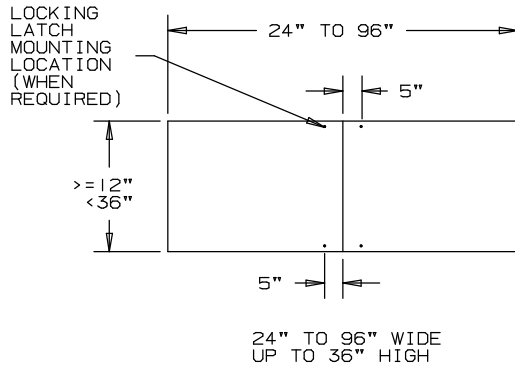


ARROW

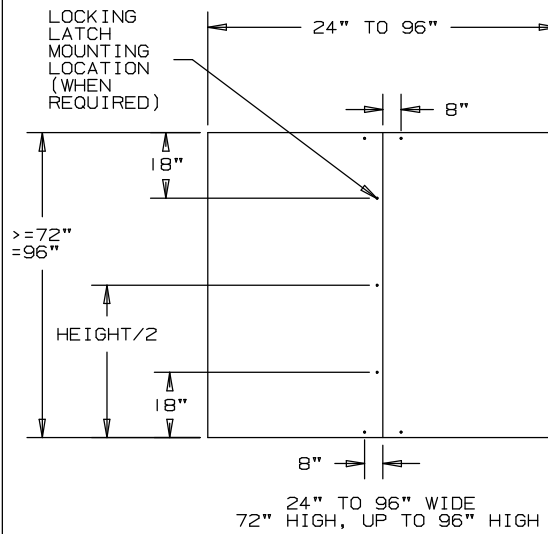
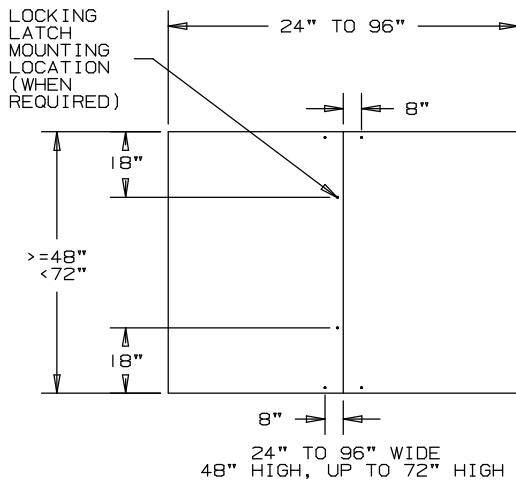
LATCH MOUNTING LOCATIONS ON ALUMINUM AHF SERIES DOUBLE DOORS WITH FIXED ASTRAGAL

ASTRAGAL MECHANICALLY FASTENED TO RIGHT-HAND DOOR



4 LATCH DOOR ASSEMBLY

5 LATCH DOOR ASSEMBLY



6 LATCH DOOR ASSEMBLY

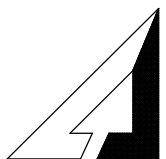
7 LATCH DOOR ASSEMBLY

DOOR LATCH HOLE SIZES

INNER DOOR PANEL	OUTER DOOR PANEL	LATCH TYPE
.512 DIA.	.512 DIA.	STANDARD
.512 DIA.	.750 DIA.	KEY LOCK
.512 DIA.	.688 DIA.	TOOL LOCK
.512 DIA.	.512 & .197 DIA.	AUSTIN ROMTECH
NONE	NONE	SURFACE MOUNT

LATCH HOLE OFFSET FROM EDGE OF DOOR PANEL

INNER DOOR PANEL	OUTER DOOR PANEL
260 VENTLOCK	1.562
310 VENTLOCK	.750 DIA.
SURFACE MOUNT	4.402
AUSTIN ROMTECH	1.500
CUST. SUPPLIED	AS REQUIRED



ARROW UNITED INDUSTRIES
A DIVISION OF MESTEK, INC.

314 RIVERSIDE DRIVE
WYALUSING, PA 18853

TEL: (570) 746-1888 FAX: (570) 746-9286

AGENT: _____

ARCH./ENG. :

CONTR. :

PROJECT :

EDR :

ECN :

JOB :

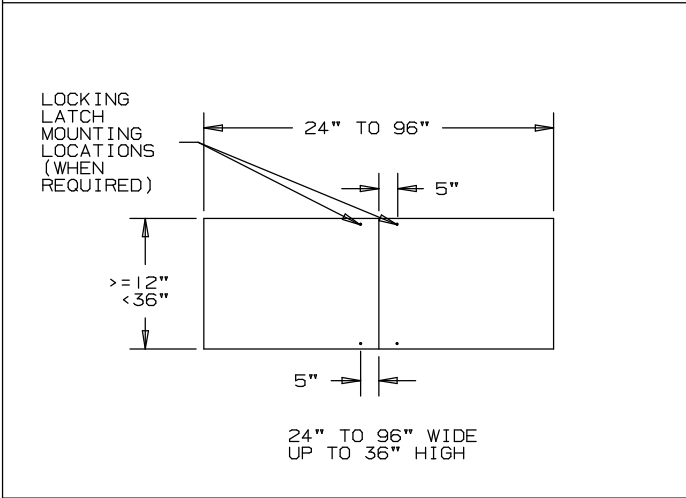
DATE :

DWN. :

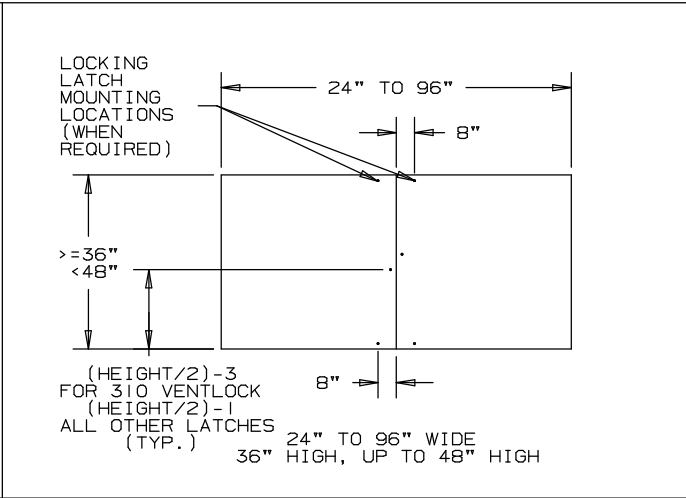
DWG. : 9-603

ARROW

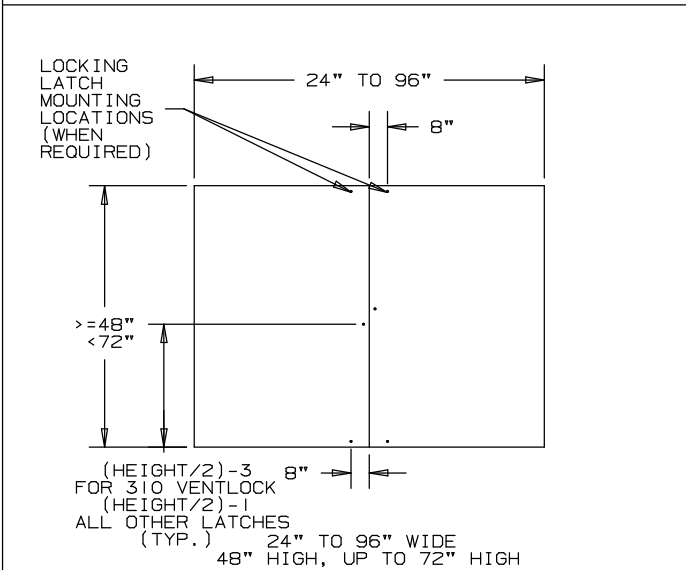
LATCH MOUNTING LOCATIONS ON ALUMINUM AHF SERIES DOUBLE DOORS WITH REMOVABLE MULLION



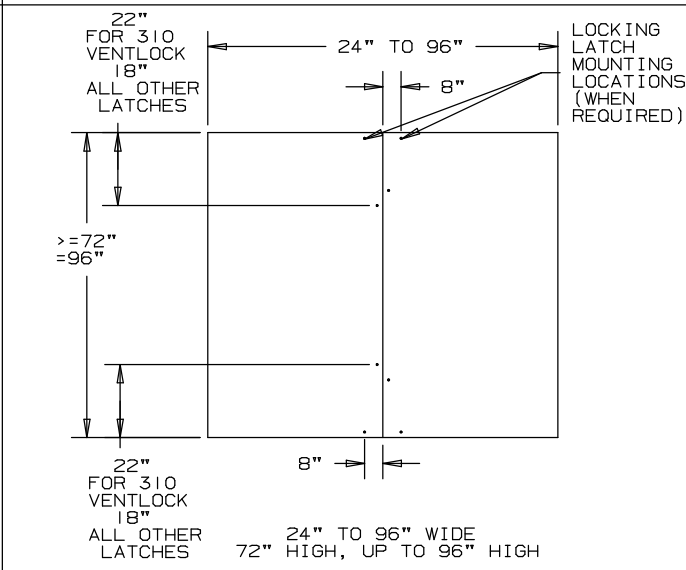
4 LATCH DOOR ASSEMBLY



6 LATCH DOOR ASSEMBLY



6 LATCH DOOR ASSEMBLY



8 LATCH DOOR ASSEMBLY

DOOR LATCH HOLE SIZES		
INNER DOOR PANEL	OUTER DOOR PANEL	LATCH TYPE
.512 DIA.	.512 DIA.	STANDARD
.512 DIA.	.750 DIA.	KEY LOCK
.512 DIA.	.688 DIA.	TOOL LOCK
.512 DIA.	.512 & .197 DIA.	AUSTIN ROMTECH
NONE	NONE	SURFACE MOUNT

LATCH HOLE OFFSET FROM EDGE OF DOOR PANEL	
INNER DOOR PANEL	OUTER DOOR PANEL
260 VENTLOCK	1.562
310 VENTLOCK	.750 DIA.
SURFACE MOUNT	4.402
AUSTIN ROMTECH	1.500
CUST. SUPPLIED	AS REQUIRED



ARROW UNITED INDUSTRIES
A DIVISION OF MESTEK, INC.

314 RIVERSIDE DRIVE
WYALUSING, PA 18853

TEL: (570) 746-1888 FAX: (570) 746-9286

AGENT: _____

ARCH./ENG. :

CONTR. :

PROJECT :

EDR: _____ ECN: _____ JOB: _____

DATE: _____ DWN.: _____ DWG.: 9-604