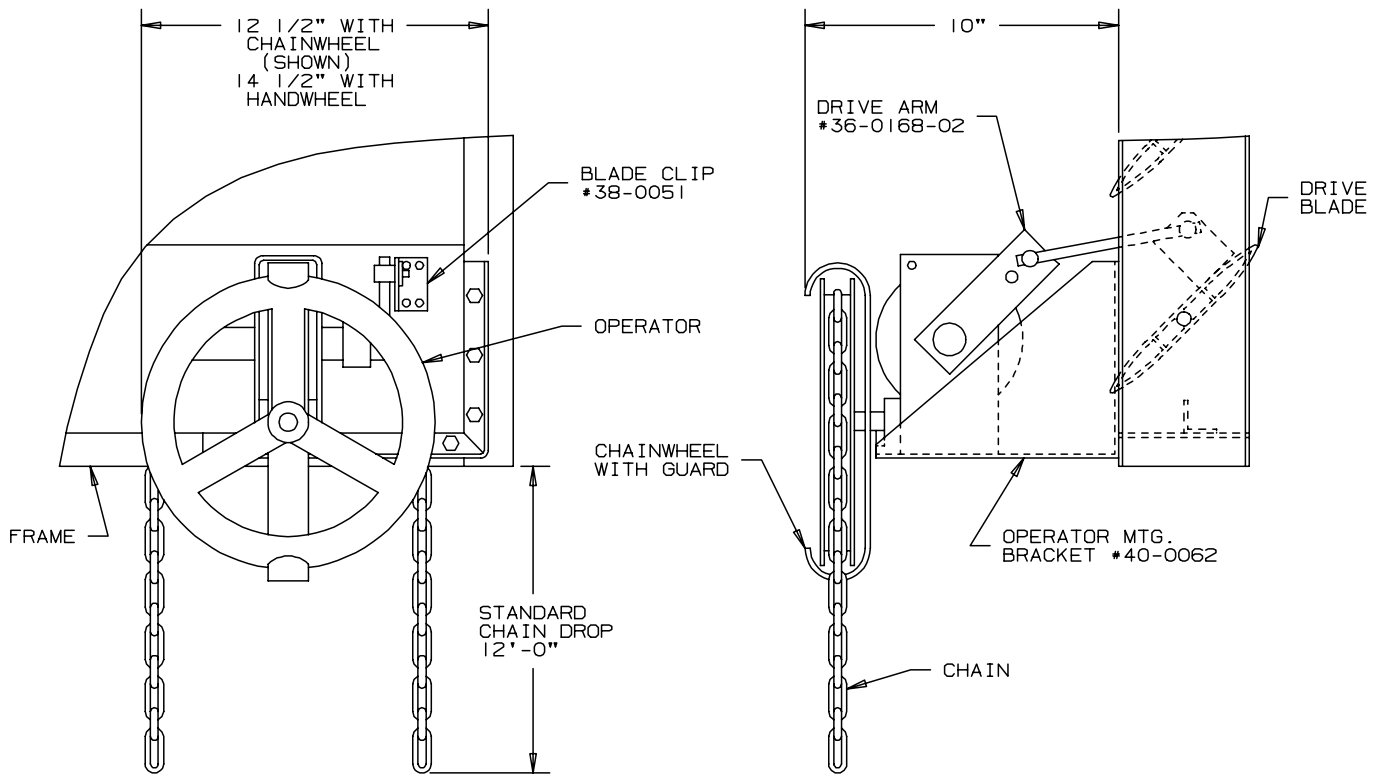
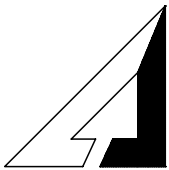


TYPICAL EXTERNAL MOUNTING ARRANGEMENT



TYPICAL INTERNAL MOUNTING ARRANGEMENT

NOTE: OPERATORS ARE AVAILABLE WITH EITHER CHAINWHEEL OR 12" DIAMETER HANDWHEEL.
 PLEASE CONSULT FACTORY FOR OTHER MOUNTING CONDITIONS.
 DIMENSIONS SHOWN ABOVE ARE APPROXIMATE.



ARROW UNITED INDUSTRIES
 A DIVISION OF MESTEK, INC.
 450 RIVERSIDE DRIVE
 WYALUSING, PA 18853

TEL: (570) 746-1888 FAX: (570) 746-9286
 WEB ADDRESS: WWW.ARROWUNITED.COM

AGENT: _____

TYPICAL
 INSTALLATION
 MODEL O-81 GEAR
 OPERATOR 24:1