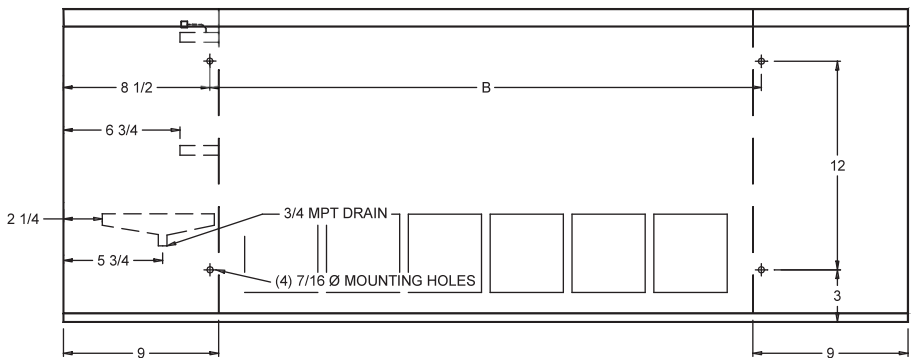
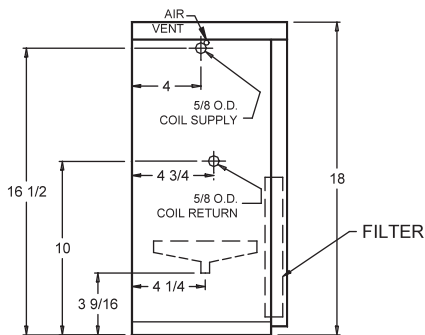
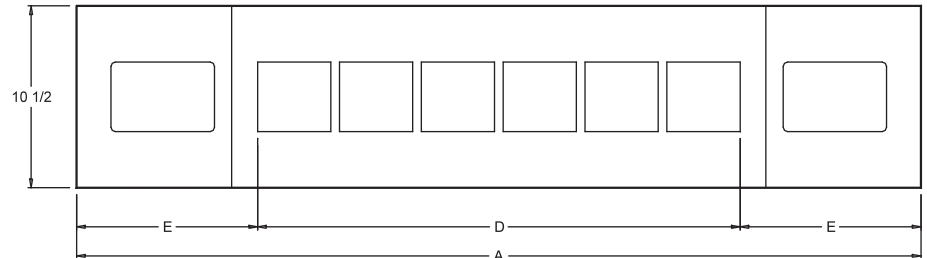


# UNITAIRE IV FAN COIL UNITS

## LETF & LEFF



LEFT HAND PIPING CONNECTIONS SHOWN. RIGHT HAND OPPOSITE. PIPING HAND DETERMINED WHEN FACING AIR OUTLET  
 ELECTRIC JUNCTION BOX LOCATION MAY VARY DEPENDING UPON CONTROL REQUIRMENTS. CONTACT FACTORY.  
 LETF IS SHOWN. LEFF IS FURNISHED WITH AIR OUTLET, PIPING ACCESS AND FAN CONTROL ACCESS LOCATED IN FRONT PANEL.

**1-ROW AUXILLIARY HEATING COIL IS NOT AVAILABLE WITH THIS UNIT**

DIMENSIONS				
UNIT SIZE	A	B	D	E
02	39	22	19-3/4	9-5/8
03	45	28	23-3/4	10-5/8
04	49	32	27-3/4	10-5/8
06	63	46	43-3/4	9-5/8
08	75	58	55-3/4	9-5/8
01/12	95	78	75-3/4	9-5/8