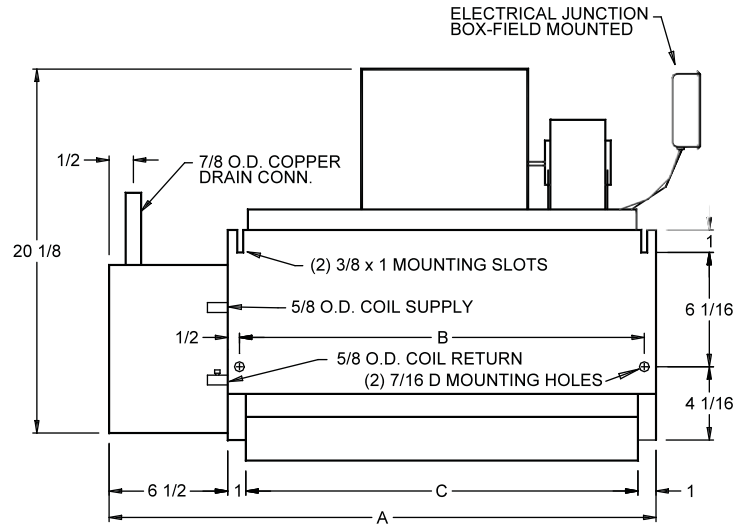
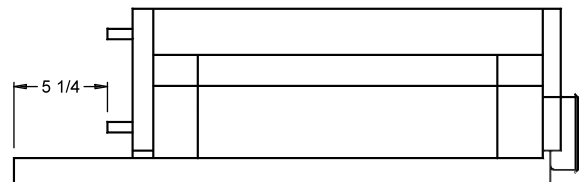
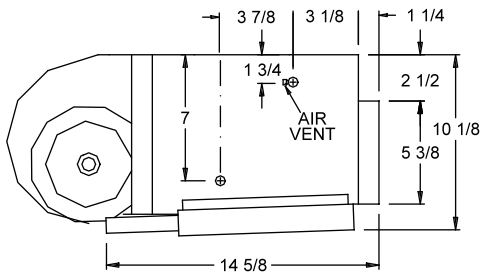


UNITAIRE IV FAN COIL UNITS CCFR



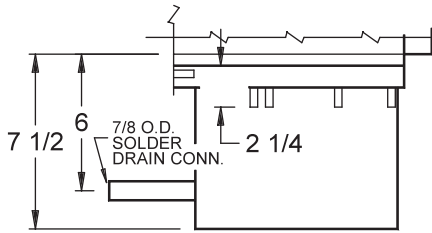
LH piping connections shown. RH opposite.
 Piping hand determined when facing air outlet.



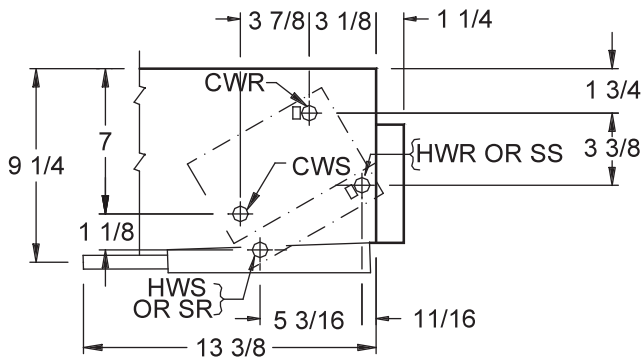
LEFT HAND PIPING CONNECTIONS SHOWN. RIGHT HAND OPPOSITE. PIPING HAND DETERMINED WHEN FACING AIR OUTLET.
 STANDARD LOCATION OF THE ELECTRICAL JUNCTION BOX IS ON THE SIDE OPPOSITE THE PIPING.

DIMENSIONS			
UNIT SIZE	A	B	C
02	29-1/2	22	21
03	35-1/2	28	27
04	39-1/2	32	31
06	53-1/2	46	45
08	65-1/2	58	57
01/12	85-1/2	78	77

OPTIONAL 1-ROW AUXILIARY HEATING COIL



TOP VIEW



LEFT HAND VIEW

LEGEND

CWS-CWR: Chilled Water Supply – Return
HWS-HWR: Hot Water Supply - Return
SS-SR: Steam Supply – Return

SPECIAL NOTES

1-Row Auxiliary Water Coil Connections may be “Same As” or “Opposite” Cooling Coil Piping.

1-Row Auxiliary Steam Coil Connections must always be opposite the cooling coil connections. Steam piping requires careful consideration of clearances on each model type.

CONTROL PACKAGES

Control Packages require Engineering Investigation for confirmation of adequate space allowance.

Coil connections are 5/8” O.D. sweat

