

Horizontal Unit Heaters – Submittal

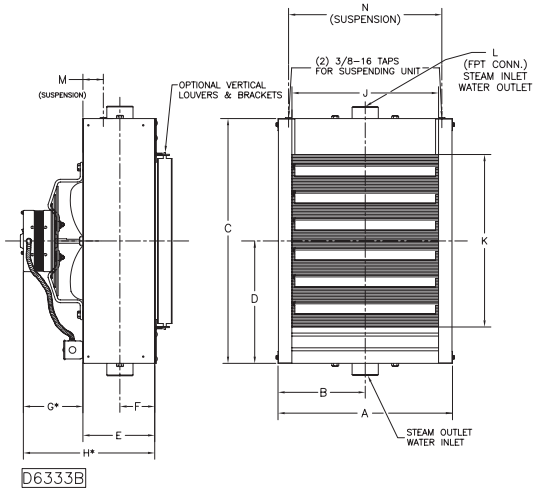
AHSD-16

Dimensional Data



Steam and Hotwater Coil

MODELS HA-018B THRU 360B (HEADER TYPE)

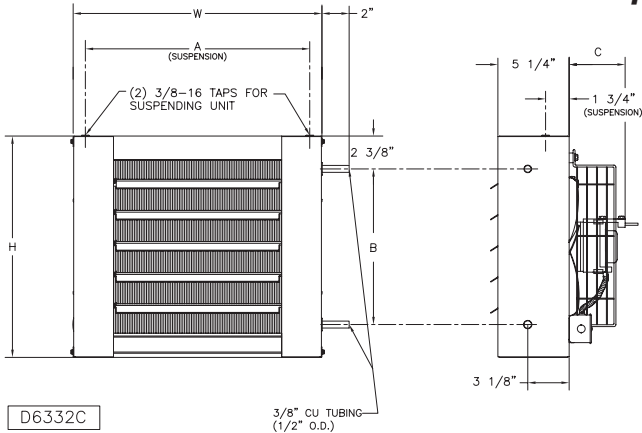


Unit Size	A inches (mm)	B inches (mm)	C inches (mm)	D inches (mm)	E inches (mm)	F inches (mm)	G* inches (mm)	H* inches (mm)	J inches (mm)	K inches (mm)	L inches (mm)	M inches (mm)	N inches (mm)	Number of Louvers	Nom. Fan Diam. inches (mm)	Approx. Ship Wt. lbs. (kg)
18	14 ⁷ / ₈ (371)	7 ⁷ / ₁₆ (186)	15 (381)	7 ¹ / ₂ (191)	6 ¹ / ₈ (156)	2 ¹ / ₈ (75)	3 ¹ / ₄ (83)	9 ³ / ₈ (238)	12 ¹ / ₄ (311)	9 ¹ / ₂ (241)	1 ¹ / ₄ (32)	2 ¹ / ₄ (57)	12 ⁷ / ₈ (327)	4	9 (229)	26 (11.8)
24	14 ⁵ / ₈ (371)	7 ⁷ / ₁₆ (186)	18 (457)	9 (229)	6 ¹ / ₈ (156)	2 ¹ / ₈ (75)	3 ¹ / ₄ (83)	9 ³ / ₈ (238)	12 ¹ / ₄ (311)	12 ¹ / ₂ (318)	1 ¹ / ₄ (32)	2 ¹ / ₄ (57)	12 ⁷ / ₈ (327)	5	10 (254)	30 (13.6)
36	17 ¹ / ₈ (435)	8 ⁹ / ₁₆ (217)	20 ¹ / ₂ (521)	10 ¹ / ₄ (260)	5 ⁷ / ₈ (149)	2 ¹ / ₈ (75)	5 ¹ / ₁₆ (144)	11 ⁷ / ₁₆ (291)	14 ³ / ₄ (375)	14 ³ / ₄ (381)	1 ¹ / ₄ (32)	1 ³ / ₄ (44)	15 ³ / ₈ (391)	6	12 (305)	41 (18.6)
48	17 ¹ / ₈ (435)	8 ⁹ / ₁₆ (217)	20 ¹ / ₂ (521)	10 ¹ / ₄ (260)	5 ⁷ / ₈ (149)	2 ¹ / ₈ (75)	5 ¹ / ₁₆ (144)	10 ¹ / ₈ (278)	14 ³ / ₄ (375)	15 (381)	1 ¹ / ₄ (32)	1 ³ / ₄ (44)	15 ³ / ₈ (391)	6	12 (305)	41 (18.6)
60	18 ³ / ₈ (467)	9 ⁹ / ₁₆ (233)	21 ³ / ₄ (552)	10 ⁷ / ₈ (276)	6 (152)	2 ¹ / ₈ (75)	5 ¹ / ₁₆ (129)	11 ⁷ / ₁₆ (281)	16 (406)	16 ¹ / ₄ (413)	1 ¹ / ₄ (32)	1 ³ / ₄ (44)	16 ⁵ / ₈ (422)	7	14 (356)	44 (19.9)
72	20 ⁷ / ₈ (530)	10 ⁷ / ₁₆ (265)	24 ¹ / ₄ (616)	12 ¹ / ₂ (308)	6 ¹ / ₈ (156)	2 ¹ / ₈ (75)	5 ¹ / ₁₆ (144)	11 ³ / ₁₆ (300)	18 ¹ / ₂ (470)	18 ¹ / ₂ (476)	1 ¹ / ₄ (32)	1 ³ / ₄ (44)	19 ¹ / ₈ (486)	8	14 (356)	47 (21.3)
84	19 ⁵ / ₈ (498)	9 ¹ / ₈ (249)	24 (610)	12 (305)	6 ⁵ / ₁₆ (160)	3 ³ / ₁₆ (81)	7 ¹ / ₂ (191)	13 ¹ / ₁₆ (351)	17 ¹ / ₄ (438)	17 ¹ / ₂ (445)	1 ¹ / ₂ (38)	1 ³ / ₄ (44)	17 ⁷ / ₈ (454)	8	16 (406)	49 (22.2)
108	20 ⁷ / ₈ (530)	10 ⁷ / ₁₆ (265)	25 ¹ / ₄ (641)	12 ³ / ₄ (321)	6 ⁵ / ₁₆ (160)	3 ³ / ₁₆ (81)	6 ¹ / ₁₆ (170)	13 (330)	18 ¹ / ₂ (470)	18 ³ / ₄ (476)	1 ¹ / ₂ (38)	1 ³ / ₄ (44)	19 ¹ / ₈ (486)	8	18 (457)	59 (26.7)
120	23 ³ / ₈ (594)	11 ¹ / ₁₆ (297)	27 ³ / ₄ (705)	13 ³ / ₈ (352)	6 ⁵ / ₁₆ (160)	3 ³ / ₁₆ (81)	7 ¹ / ₂ (194)	14 (356)	21 (533)	21 ¹ / ₄ (540)	1 ¹ / ₂ (38)	1 ³ / ₄ (44)	21 ¹ / ₈ (549)	9	18 (457)	74 (33.5)
144	23 ³ / ₈ (594)	11 ¹ / ₁₆ (297)	27 ³ / ₄ (705)	13 ³ / ₈ (352)	6 ⁵ / ₁₆ (160)	3 ³ / ₁₆ (81)	7 ¹ / ₂ (194)	13 ³ / ₄ (349)	21 (533)	21 ¹ / ₄ (540)	1 ¹ / ₂ (38)	1 ³ / ₄ (44)	21 ¹ / ₈ (549)	9	18 (457)	74 (33.5)
180	24 ⁵ / ₈ (625)	12 ³ / ₁₆ (313)	29 (737)	14 ¹ / ₂ (368)	6 ⁵ / ₁₆ (162)	3 ³ / ₁₆ (81)	7 ¹ / ₁₆ (194)	13 ³ / ₄ (349)	22 ¹ / ₄ (565)	22 ¹ / ₂ (572)	1 ¹ / ₂ (38)	1 ³ / ₄ (44)	22 ⁷ / ₈ (581)	9	18 (457)	90 (40.8)
204	27 ¹ / ₈ (708)	13 ¹ / ₁₆ (354)	30 ¹ / ₄ (768)	15 ¹ / ₂ (384)	8 ¹ / ₈ (206)	3 ³ / ₁₆ (81)	8 ¹ / ₈ (206)	14 (356)	25 ¹ / ₂ (648)	23 ³ / ₄ (603)	2 (51)	1 ³ / ₄ (44)	26 ¹ / ₈ (664)	10	20 (508)	143 (65)
240	27 ¹ / ₈ (708)	13 ¹ / ₁₆ (354)	30 ¹ / ₄ (768)	15 ¹ / ₂ (384)	8 ¹ / ₈ (206)	3 ³ / ₁₆ (81)	9 ¹ / ₈ (244)	17 ³ / ₄ (451)	25 ¹ / ₂ (648)	23 ³ / ₄ (603)	2 (51)	1 ³ / ₄ (44)	26 ¹ / ₈ (664)	10	20 (508)	154 (70)
280	30 ³ / ₈ (780)	16 ¹ / ₁₆ (424)	37 ³ / ₄ (959)	18 ¹ / ₈ (479)	9 (229)	3 ³ / ₁₆ (81)	9 ¹ / ₈ (244)	18 ³ / ₄ (473)	31 (787)	31 ¹ / ₄ (794)	2 (51)	1 ³ / ₄ (44)	31 ³ / ₈ (803)	13	24 (610)	203 (92)
360	(848)	(424)	(959)	(479)	(229)	(81)	(244)	(473)	(787)	(794)	(51)	(44)	(803)			

* APPLIES TO STANDARD MOTOR WITH STANDARD FAN GUARD. WHEN OPTIONAL MOTORS OR OSHA FAN GUARDS ARE REQUESTED, DIMENSIONS WILL CHANGE ACCORDING TO THE SUBSTITUTIONS MADE.

- NOTES: 1. OSHA guard standard on models HA-018B thru HA-048B (dimensions shown in table).
 2. Standard motor and standard guard shown in both tables.
 3. Optional OSHA guards available for all units with standard single phase motors.
 4. All three phase and explosion proof motors are shelf mounted.

Serpentine Hotwater Coil



MODELS HA-108A THRU 136A

Unit Size	H inches (mm)	W inches (mm)	A inches (mm)	B inches (mm)	C inches (mm)	Number of Louvers	Nominal Fan Diameter inches (mm)	Approx. Ship Wt. lb. (kg)
108A	16 (406)	18 (457)	16 ⁷ / ₃₂ (412)	11 ¹ / ₄ (286)	4 ¹ / ₄ (108)	5	9 (229)	22 (10.0)
118A	16 (406)	18 (457)	16 ⁷ / ₃₂ (412)	11 ¹ / ₄ (286)	4 ¹ / ₄ (108)	5	10 (254)	24 (10.9)
125A	16 (406)	18 (457)	16 ⁷ / ₃₂ (412)	11 ¹ / ₄ (286)	4 ¹ / ₄ (108)	5	10 (254)	25 (11.3)
136A*	18 ¹ / ₂ (470)	20 ¹ / ₂ (521)	18 ²⁹ / ₃₂ (475)	13 ³ / ₄ (349)	5 ¹ / ₁₆ (144)	6	12 (305)	31 (14.0)

* Dimension "C" is to back of motor, not motor conduit connector as shown.
 NOTE: OSHA type fan guard standard on models HA-108A thru HA-136A.



260 North Elm Street
 Westfield, Massachusetts 01085
 Tel. (413) 564-5535 Fax (413) 562-8437
 www.airthermhvac.com

PROJECT: _____
 LOCATION: _____
 ARCHITECT: _____
 ENGINEER: _____
 CONTRACTOR: _____
 PO NUMBER: _____
 DATE: _____



Hot Water Performance Data

Model/ Unit Size	Output BTU Per Hour*	GPM	Final Air Temp	Pressure Drop F/H ₂ O	Motor HP†	Motor RPM	Nominal CFM	Outlet FPM	Nominal Amps At 115VAC**	Nominal Sound Rating
HA-108A	8,030	.80	91°F	.80	16 Watt	1550	245	250	.80	II
HA-118A	18,400	1.9	94°F	2.2	16 Watt	1350	500	500	.80	II
HA-125A	15,650	2.5	102°F	2.2	25 Watt	1350	420	400	.80	II
HA-136A	21,230	3.6	106°F	3.0	1/20	1000	850	550	1.4	II
HA-018B	35,900	3.6	99°F	3.0	1/20	900	750	480	1.4	II
HA-024B	32,300	1.3	100°F	.005	16 Watt	1550	395	395	.80	II
HA-036B	13,050	1.8	95°F	.014	16 Watt	1350	350	350	.80	II
HA-048B	11,725	2.7	103°F	.09	25 Watt	1550	450	450	.80	II
HA-060B	17,400	2.7	96°F	.12	1/20	1000	380	380	.80	II
HA-072B	15,600	3.5	103°F	.17	1/20	1350	550	550	1.2	II
HA-084B	26,100	4.4	106°F	.24	1/12	1000	750	700	1.4	II
HA-096B	23,500	5.3	106°F	.29	1/12	900	630	460	1.4	II
HA-108B	34,800	6.1	106°F	.36	1/12	1000	900	650	1.4	II
HA-120B	31,300	7.0	111°F	.41	1/3	1140	1400	900	2.2	III
HA-132B	43,600	7.9	106°F	.43	1/3	1000	1400	930	2.2	III
HA-144B	39,200	8.8	113°F	.53	1/3	900	1100	800	2.2	III
HA-156B	62,700	11.3	100°F	.60	1/3	1000	1800	1000	2.2	III
HA-180B	78,400	11.8	103°F	.79	1/3	900	1500	900	2.2	III
HA-204B	70,500	14.9	102°F	1.06	1/3	1140	1900	900	4.5	III
HA-240B	87,100	17.4	104°F	1.33	1/2	1140	2000	950	4.5	IV
HA-280B	95,800	21.0	104°F	2.1	1/2	1140	2200	1000	4.5	IV
HA-300B	104,000	23.0	100°F	2.1	1/2	1140	2200	1000	4.5	IV
HA-360B	113,000	26.2	110°F	2.1	1/2	1140	2600	1150	4.5	IV
HA-400B	118,000	14.9	110°F	2.1	1/2	1140	2900	1000	4.5	IV
HA-480B	148,100	17.4	107°F	2.1	1/2	1140	3500	900	4.5	IV
HA-560B	174,000	21.0	106°F	2.1	1/2	1100	4200	980	5.4	IV
HA-600B	209,100	23.0	102°F	2.1	1/2	1100	5000	700	5.4	IV
HA-660B	230,000	26.2	103°F	2.1	1/2	1100	5500	1000	5.4	IV
HA-720B	261,300	26.2	103°F	2.1	1/2	1100	5500	1000	5.4	IV

Performance based on 200° EWT, 60° E.A.T., 20° TD.
 * For the lower output, an optional Speed Controller must be ordered.
 ** Stated AMP is full load (FLA). AMP draw varies by motor manufacturer ± .2 AMPS.
 † Motor HP listed is applicable to standard motor type only. For explosion proof motor HP, see motor data section.

Steam Performance Data

Model/ Unit Size	Output BTU Per Hour*	Condensate Lbs Per Hour	Square Foot EDR	Final Air Temp	Motor HP†	Motor RPM	Nominal CFM	Outlet FPM	Nominal Amps At 115VAC†	Nominal Fan Diameter
HA-018B	18,000	18.0	75	102°F	16 Watt	1550	395	395	.80	9"
HA-024B	16,200	16.2	68	105°F	16 Watt	1350	330	330	.80	9"
HA-036B	24,000	24.0	100	109°F	16 Watt	1550	450	450	.80	10"
HA-048B	21,600	21.6	90	112°F	25 Watt	1350	380	380	.80	10"
HA-060B	36,000	36.0	150	119°F	25 Watt	1550	550	550	1.2	10"
HA-072B	32,400	32.4	135	120°F	1/20	1000	480	480	1.2	10"
HA-084B	48,000	48.0	200	119°F	1/20	900	750	550	1.4	12"
HA-096B	43,200	43.2	180	123°F	1/20	900	630	460	1.4	12"
HA-108B	60,000	60.0	250	121°F	1/20	1000	900	650	1.4	12"
HA-120B	54,000	54.0	225	131°F	1/20	900	700	510	1.4	12"
HA-132B	72,000	72.0	300	120°F	1/12	1000	1100	800	1.4	14"
HA-144B	64,800	64.8	270	123°F	1/12	900	950	700	1.4	14"
HA-156B	84,000	84.0	350	115°F	1/12	1000	1400	900	2.2	14"
HA-168B	75,600	75.6	315	123°F	1/12	900	1100	750	2.2	14"
HA-180B	96,000	96.0	400	123°F	1/3	1000	1400	930	2.2	16"
HA-192B	86,400	86.4	360	132°F	1/3	900	1100	800	2.2	16"
HA-204B	108,000	108.0	450	115°F	1/3	1000	1800	1000	2.2	16"
HA-216B	97,200	97.2	405	120°F	1/3	900	1500	900	2.2	16"
HA-228B	120,000	120.0	500	118°F	1/3	1140	1900	900	4.5	18"
HA-240B	132,000	132.0	550	121°F	1/3	1140	2000	950	4.5	18"
HA-252B	144,000	144.0	600	120°F	1/3	1140	2200	1000	4.5	18"
HA-264B	156,000	156.0	650	115°F	1/3	1140	2600	1150	4.5	18"
HA-276B	180,000	180.0	770	135°F	1/3	1140	2200	800	4.5	18"
HA-288B	204,000	204.0	850	124°F	1/3	1140	2900	1000	4.5	18"
HA-300B	240,000	240.0	1000	123°F	1/3	1140	3500	900	4.5	20"
HA-312B	280,000	280.0	1100	121°F	1/2	1100	4200	980	5.4	20"
HA-324B	300,000	300.0	1250	117°F	1/2	1100	5000	700	5.4	24"
HA-336B	360,000	360.0	1500	120°F	1/2	1100	5500	1000	5.4	24"

Performance based on 2# steam pressure at heater with air entering @ 60°F.
 Maximum working pressure 150 PSI, 366°F
 * For the lower output, an optional Speed Controller must be ordered.
 † Stated AMP is full load (FLA). AMP draw varies by motor manufacturer ± .2 AMPS.
 ‡ Motor HP listed is applicable to standard motor type only. For explosion proof motor HP, see motor data section.

Steam and Hot Water Coil Specifications

GENERAL

Furnish and install where indicated or scheduled on plans horizontal steam/hot water unit heater. Unit shall be equipped as specified herein. All units shall be installed in a neat and workmanlike manner in accordance with this specification and the manufacturer's installation instructions.

CASING

Casings shall be 20-gauge die-formed steel. Paint finish shall be of lead-free, chromate free, polyester melamine resin base. Finish shall be baked at 400°F.

COIL SIZES 018B - 360B

Coil elements and headers shall be of heavy wall drawn seamless copper tubing. Element tubes shall be brazed into extruded header junctions. Pipe connection saddles shall be of cast bronze. Aluminum fins shall have drawn collars to assure permanent bond with expanded element tubes and exact spacing. All Element Assemblies are submersion tested at the factory at 200 PSI. Under maximum conditions, coils are rated at 150 PSI at 366°F for steam and 150 PSI at 320°F for hot water. We recommend operating pressure of 75 PSI at 320°F for long life.

MOTORS

Motors shall be totally enclosed fan cooled, resilient mounted with class "B" windings. All motors shall be designed for horizontal mounting. Motors under 1/3 HP are totally enclosed, frame mounted, 115/1/60 with thermal overload protection and permanently lubricated sleeve bearings with optional solid state speed controller available. 1/3 HP (115/1/60) motors are open frame construction, with thermal overload protection and ball bearings. 1/3 HP at (230 Volt) and all 1/2 HP motors are open frame construction, with thermal overload protection and ball bearings. 1/3 and 1/2 HP motors are available in single and three phase in open frame construction or explosion-proof housings, all the above are available as options.

EXPLOSION PROOF MOTORS

An enclosed motor whose enclosure is designed and constructed to withstand an explosion of a specified gas or vapor which may occur within the motor and to prevent the ignition of this gas or vapor surrounding the machine.

Horizontal unit heater motors comply with the National Electrical Code classification as follows:

- Class I, Group D; all sizes
- Class II, Group F; all sizes
- Class II, Group G; all sizes
- Division I & II Installations
- T-code (T3B)

Explosion proof equipment is not generally available for Class I, Group A and B and it is necessary to isolate motors from the hazardous area. All explosion proof motors are shelf mounted.

FANS

Fans shall be of aluminum blade, hub type designed and balanced to assure maximum air delivery, low motor horsepower requirements and quiet operation. Blades are spark proof.

FAN GUARDS

Fan guards shall be welded steel, zinc plated or painted. Units mounted below 8 feet from floor must be equipped with an OSHA fan guard to meet ETL and OSHA requirements. OSHA fan guard standard on sizes 018B thru 048B.

AIR DEFLECTION LOUVERS

Units shall be equipped with horizontal, individually adjustable louvers. Vertical louvers for four-way air control shall be available as an optional extra.

Serpentine Coil Specifications

GENERAL

Furnish and install, where indicated or scheduled on plans, Airtherm Model HAA horizontal hot water unit heaters. Unit shall be equipped as specified herein. All units shall be installed in a neat and workmanlike manner in accordance with this specification and the manufacturer's installation instructions.

CASING

Casings shall be 20-gauge die-formed steel. Paint finish shall be of lead-free, chromate free, polyester melamine resin base. Finish shall be baked at 400°F.

COIL SIZES 108A - 136A

Coil is a serpentine design with seamless copper tubing. Aluminum fins shall have drawn collars to assure permanent bond with expanded tubes. Tubing connection shall be 3/8 in copper tubing, type "M" (.500 OD). Coils shall be factory tested at 200 PSI. Coils have a max operating entering water temperature of 320°F.

MOTORS

Motors shall be totally enclosed fan cooled, resilient mounted with class "B" windings. All motors shall be designed for horizontal mounting.

FANS

Fans shall be of aluminum blade type, designed and balanced to assure maximum air delivery, low motor horsepower requirements and quiet operation.

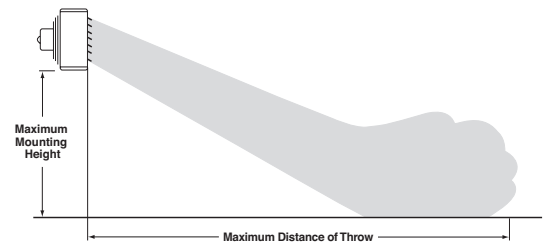
OSHA FAN GUARDS

- OSHA fan guards shall be welded steel, zinc plated or painted.
- OSHA fan guard standard on sizes 108A thru 136A.

AIR DEFLECTION LOUVERS

Units shall be equipped with horizontal, individually adjustable louvers.

Mounting Heights and Throws



Model/Unit Size	Maximum Mounting Height	Approximate Maximum Throw	Model/Unit Size	Maximum Mounting Height	Approximate Maximum Throw
HA-108A	8'	20'	HA-108B	11'	40'
HA-118A	8'	25'	HA-120B	12'	40'
HA-125A	9'	29'	HA-132B	13'	54'
HA-136A	9'	29'	HA-144B	13'	55'
HA-018B	8'	20'	HA-156B	13'	55'
HA-024B	8'	24'	HA-180B	13'	53'
HA-036B	9'	28'	HA-204B	13'	55'
HA-048B	9'	30'	HA-240B	14'	57'
HA-060B	10'	30'	HA-280B	14'	57'
HA-072B	10'	29'	HA-300B	15'	58'
HA-084B	10'	30'	HA-360B	15'	60'
HA-096B	11'	38'			

The following table is based on 60°F entering air and either 2 lbs steam or 200°F TD. The data is based on the higher speed CFM throughout and velocity. Care should be exercised in locating adjacent unit heaters and allowance should be made for obstructions in the air pattern and conflicting air currents from other air moving devices.

Horizontal Unit Heaters

Motor Characteristics

TOTALLY ENCLOSED MOTOR TYPE

Unit Sizes	AMP	MCA	HP	RPM
115/1/60				
18, 24, 108A, 118A	0.8	1	16W*	1550
136A	1.4	1.8	1/20*	1000
36, 125A	1.2	1.5	25W*	1550
48, 60, 72	1.4	1.8	1/20*	1000
84, 96, 108	2.2	2.8	1/12*	1000
120, 132, 144, 156, 180, 204, 240	4.5	5.6	1/3	1140
280, 300, 360	5.4	6.8	1/2	1100
230/1/60				
18, 24, 108A, 118A	0.4	0.5	16W	1550
136A	1.4	1.8	1/20†	1000
36, 125A	0.6	0.8	25W	1550
48, 60, 72	1.4	1.8	1/20†	1000
84, 96, 108	2.2	2.8	1/12†	1000
120, 132, 144, 156, 180, 204, 240	4.5	5.6	1/3†	1140
280, 300, 360	5.4	6.8	1/2†	1100
208-230/460/3/60				
48, 60, 72, 84, 96, 108, 120, 132, 144, 156, 180, 204, 240, 280, 300, 360	2.6-2.6/1.3	3.3-3.3/1.6	1/2**	1140

*Optional variable speed switch is available.

**These motors are without thermal overload protection.

Motors without thermal overload protection must be installed with optional manual starter or field provided overload protection.

NOTE 1: All motors are constant speed and operate at top speed as indicated in motor data. Unit sizes 18 through 108, including 108A, 118A, 125A and 136A can be run at reduced speed with addition of optional variable speed switch. This switch is factory-calibrated for low and high speed ratings, with intermediate speeds infinitely controllable. Models 120 through 360 operate at constant speed as indicated in motor data. All 1/4 HP motors are PSC.

NOTE 2: Motors under 1/3 HP are totally enclosed, frame mounted, 115/1/60 with thermal overload protection and permanently lubricated sleeve bearings with optional speed controller available. 1/3 HP (115/1/60) motors are open frame constant speed with thermal over-load protection and ball bearings. 1/3 HP (230 Volt) and 1/2 HP (230 Volt) motors are open frame constant speed with thermal overload protection and ball bearings.

EXPLOSION PROOF WITH THERMAL OVERLOAD MOTOR TYPE

Unit Sizes	AMP	MCA	HP	RPM
115/1/60				
48, 60, 72, 84, 96, 108, 120, 132	3.7	4.6	1/6	1140
144, 156, 180, 204	5.4	6.8	1/4	1140
240	7.8	9.8	1/3***	1140
280, 300, 360	9.6	12.0	1/2***	1140
230/1/60				
48, 60, 72, 84, 96, 108, 120, 132	3.7	4.6	1/6†	1140
144, 156, 180, 204	5.4	6.8	1/4†	1140
240	3.9	4.9	1/3***	1140
280, 300, 360	4.8	6.0	1/2***	1140
230/460/3/60				
144, 156, 180, 204, 240, 280, 300, 360	2.2/1.1	2.8/1.4	1/3	1140

***These motors are 115/230 volts.

†230/1/60 unit has 115/1/60 motor supplied with field installed stepdown transformer.

NOTE 3: 1/3 and 1/2 HP motors are available as 230 Volt single and 3 phase in open frame and explosion-proof housings, all available as options. 1/3 and 1/2 HP motors operate at single speed only.

NOTE 4: Stated AMP draw is full load amp (FLA). AMP draw varies by motor manufacturer ± .2 AMPS. Verify FLA per unit motor data plate.

CAUTION: Select appropriate AMP and MCA for the multiple voltage motors. For example, the AMP and MCA for Models 360 with a 460 volt Totally Enclosed motor is 1.3 and 1.6 respectively.