

## GS6V95H

**STANDARD MATERIALS AND CONSTRUCTION**

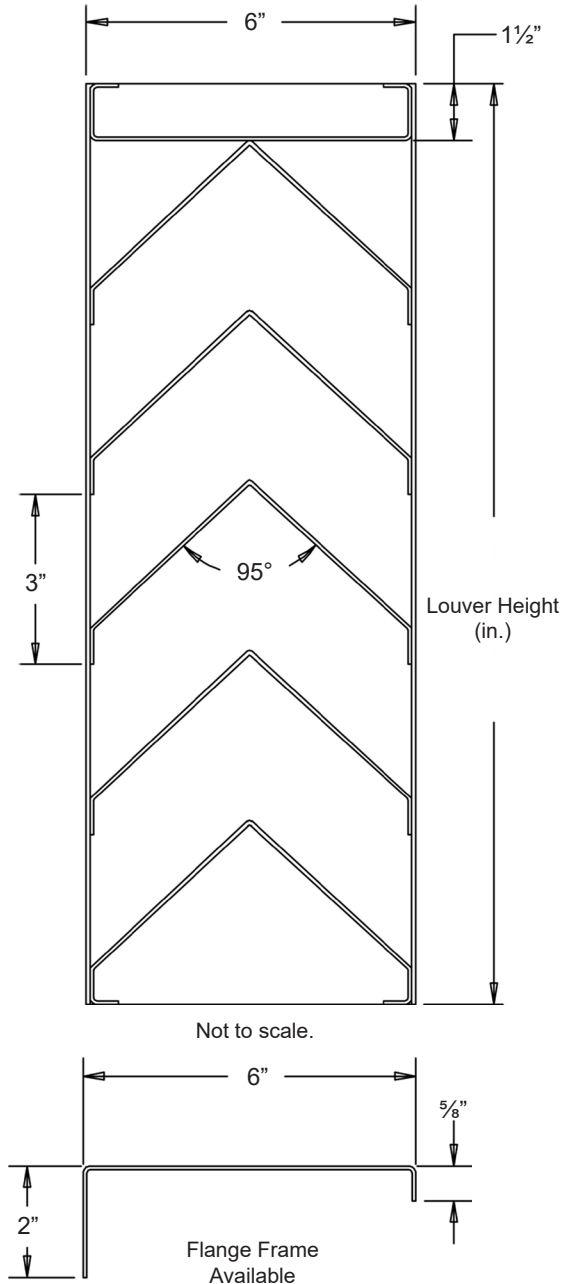
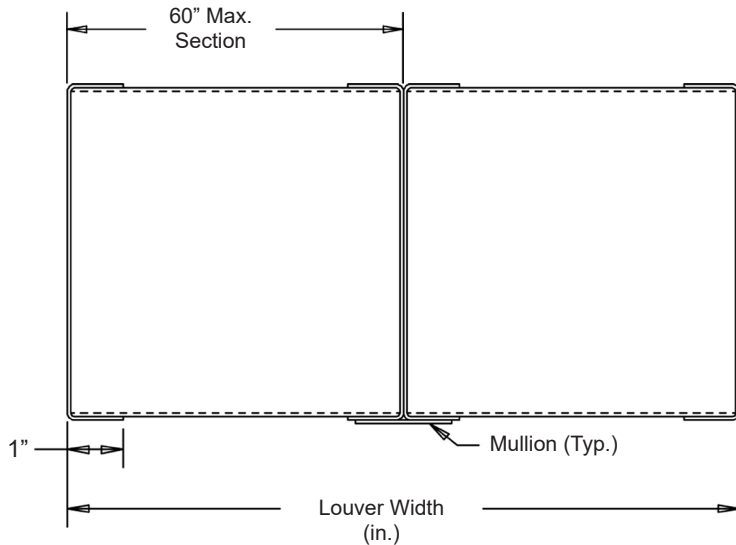
- FRAME:** 18-GA. galvanized steel, channel or flanged type.
- BLADE:** 18-GA. galvanized steel. Blades approximately 3" on centers.
- SCREEN:** (when indicated)  
1/2" mesh, 19-GA. galvanized steel, .041".
- CONSTRUCTION:** Riveted and/or welded for maximum service.

**OPTIONS**

- Frames and Blades of other gauges
- Materials - 304 or 316 Stainless steel, Copper, Aluminum, etc.
- Finishes - Enamels, Epoxies, etc.
- Screens - Insect screen 1/4" aluminum mesh,
  - or- 1/2" flattened aluminum, .051",
  - or- 1/4" sq. mesh, 18-GA galvanized steel, .047",
  - or- 1/2" sq. mesh, 18-GA stainless steel, .047",
- Others available.

**NOTES**

1. 1/2" nominal deduction will be made to the opening size given.
2. Approximate shipping weight is 12 lbs./sq.ft.



In the interest of product development, Airline Louvers reserves the right to make changes without notice.

<b>Item #</b>	<b>Qty</b>	Width	Height	Width	Height	<b>Mullion</b>	Type	Location				
		<b>Opening Size</b>		<b>Louver Size</b>			<b>Screens</b>					
<b>Arch. / Eng. :</b>						<b>EDR:</b>		<b>ECN:</b>		<b>Job:</b>		
<b>Contractor:</b>												
<b>Project:</b>						<b>Date:</b>		<b>DWN:</b>		<b>DWG:</b>		