

GS6S45H

STANDARD MATERIALS AND CONSTRUCTION

FRAME: 18-GA. galvanized steel.

BLADE: 18-GA. galvanized steel. Blades approximately 6⁹/₁₆" on centers.

SCREEN: (When indicated)
1/2" mesh, 19-GA. galvanized steel (.041").

CONSTRUCTION: Riveted and/or welded, full jambs with blades, head and sill contained within.

OPTIONS

Flange Frame available.

Finishes - Enamels, Epoxies, etc.

Material - 304 or 316 Stainless steel

Screens - Insect screen 1⁹/₁₆ aluminum mesh,

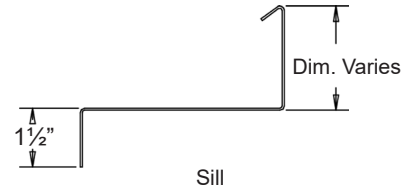
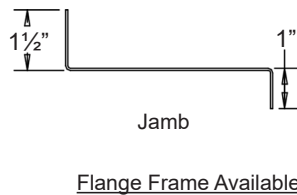
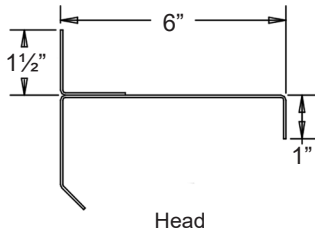
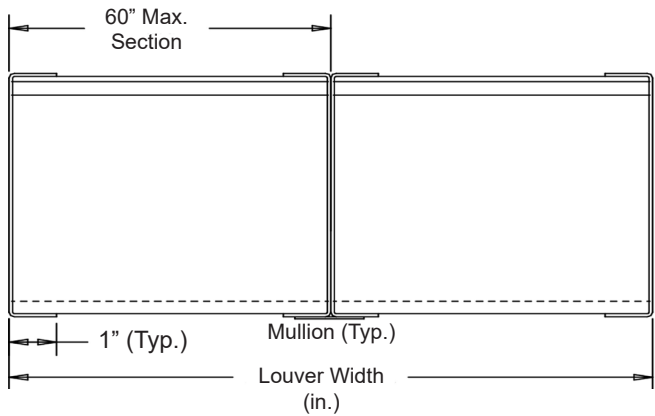
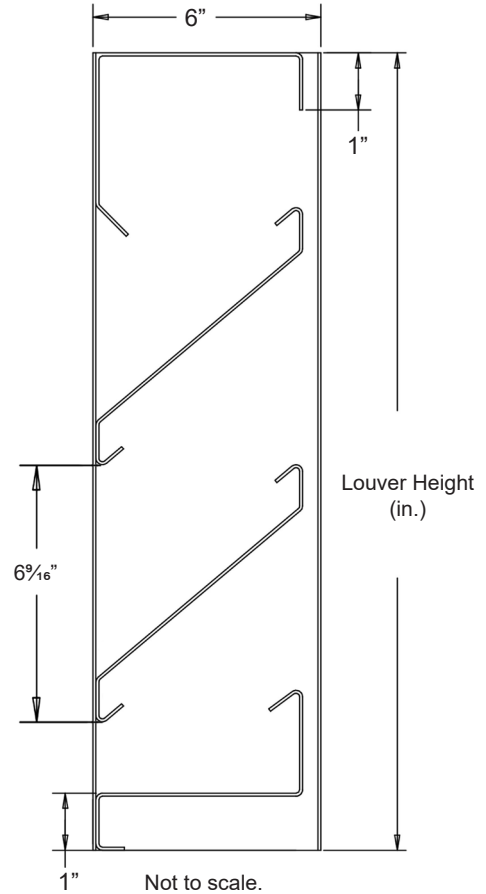
- or- 1/2" flattened aluminum, .051",
- or- 1/4" sq. mesh, 18-GA galvanized steel, .047",
- or- 1/2" sq. mesh, 18-GA stainless steel, .047",
- Others available.

NOTES


1. 1/2" nominal deduction will be made to the opening size given.
2. Approximate shipping weight is 8.5 lbs./sq.ft.

LOUVER SIZES

Min Panel	Max Single Panel
12"W x 12"H	60"W x 96"H



In the interest of product development, Airline Louvers reserves the right to make changes without notice.

											
Item #	Qty	Width	Height	Width	Height	Mullion	Type	Location			
		Opening Size		Louver Size			Screens			Union Made	
Arch. / Eng. :						EDR:		ECN:		Job:	
Contractor:											
Project:						Date:		DWN:		DWG:	



GS6S45H

FREE AREA TABLE

		Free Area (sq.ft.)								
		Width (in.)								
		12"	18"	24"	30"	36"	42"	48"	54"	60"
Height (in.)	12"	.19	.31	.42	.53	.65	.76	.88	.99	1.11
	24"	.56	.89	1.23	1.56	1.90	2.23	2.57	2.90	3.24
	36"	1.05	1.68	2.31	2.94	3.56	4.19	4.82	5.45	6.08
	48"	1.61	2.58	3.54	4.51	5.48	6.44	7.41	8.38	9.34
	60"	2.17	3.48	4.78	6.09	7.39	8.69	10.00	11.30	12.61
	72"	2.71	4.33	5.95	7.58	9.20	10.83	12.45	14.08	15.70
	84"	3.17	5.08	6.98	8.89	10.79	12.69	14.60	16.50	18.40
	96"	3.54	5.67	7.80	9.92	12.05	14.18	16.30	18.43	20.56