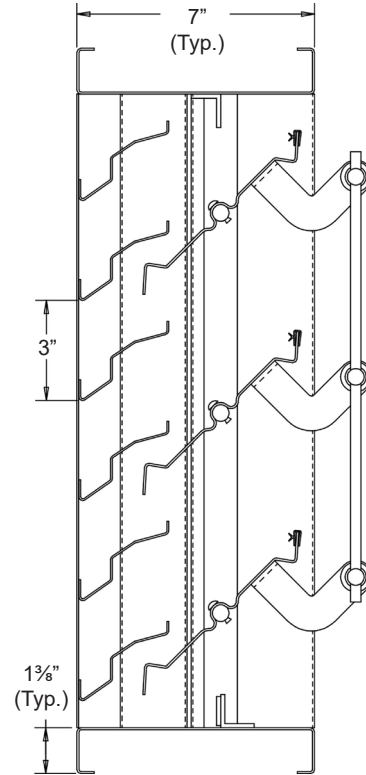


GC6D35H

STANDARD MATERIALS AND CONSTRUCTION

- FRAME:** 16-GA. galvanized steel.
- BLADE:** Adjustable blade made from 16-GA. galvanized steel.
Stationary blade made from 18-GA. galvanized steel.
Blades approximately 3" on centers.
- LOUVER FACE:** Full head and sill with blades and jambs contained within.
- LINKAGE:** Brackets are 12-GA. Zinc plated machined steel. Pivots rotate in a Celcon bearing. A .312" dia. aluminum linkage rod is locked to the pivot by a ¼ - 20 set screw with an epoxy patch.
- SEALS:** Dual Durometer vinyl-grip seals at blade edge.
Neoprene at jambs.
- SHAFTS:** ½" dia. plated steel stub.
- SCREEN:** (Secured to the exterior)
½" flattened aluminum (.051"),
-or- ½" sq. mesh 19-GA. galvanized steel (.041"),
-or- ⅜" aluminum mesh insect screen (.011" dia.)
- FINISH:** Mill.



OPTIONS

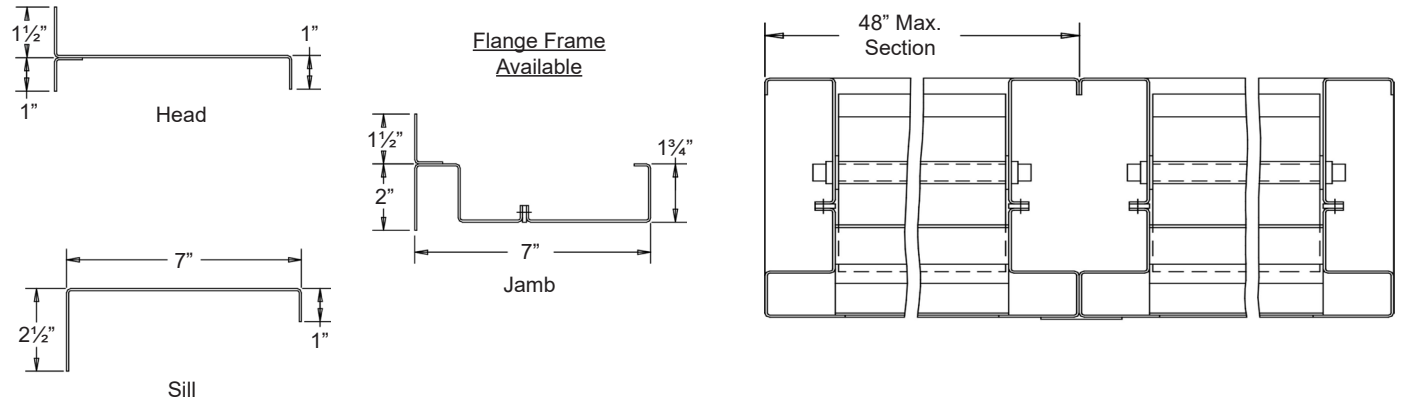
- Finishes - Enamels, Epoxies, etc.
- Other screens also available.
- Materials - 304 or 316 Stainless steel.
- Actuators - Electric, Pneumatic, Manual, etc.

NOTES

1. ½" nominal deduction will be made to the opening size given.
2. Approximate shipping weight is 9.0 lbs./sq.ft.

LOUVER SIZES

Min Panel	Max Single Panel
12"W x 14"H	48"W x 96"H



In the interest of product development, Airline Louvers reserves the right to make changes without notice.

Item #	Qty	Width	Height	Width	Height	Mullion	Type	Location		
		Opening Size		Louver Size			Screens			Union Made
Arch. / Eng. :						EDR:	ECN:	Job:		
Contractor:										
Project:						Date:	DWN:	DWG:		