

# AS66AC45H & GS66AC45H

**STANDARD MATERIALS AND CONSTRUCTION**

**FRAME:** 14 GA. aluminum or 16 GA. galvanized steel.

**BLADE:** 16 GA. aluminum Airfoil exterior with 22 GA. perforated aluminum interior surface or 18 GA. galvanized steel airfoil exterior with 22 GA. galvanized perforated steel interior surface.

**INSULATION:** Eco-Sound Insulation.

**SCREEN:** 1/2" sq. mesh, aluminum (.051") or 1/2" sq. mesh, galvanized steel (.041")

**FINISH:** Mill.

**OPTIONS**

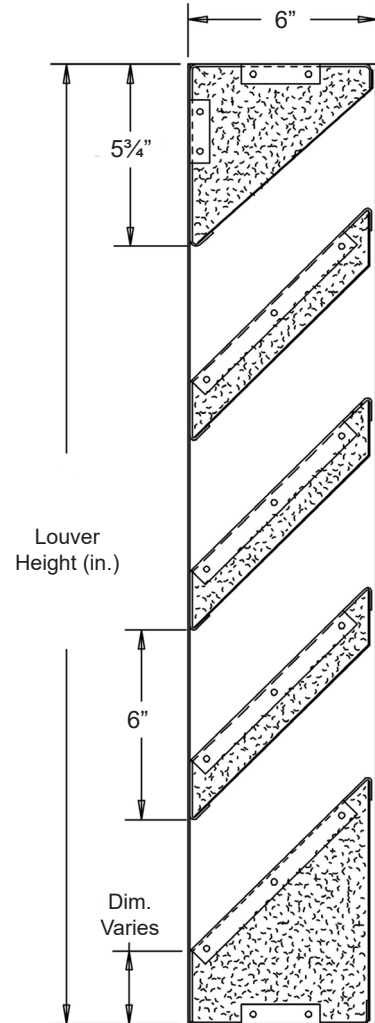
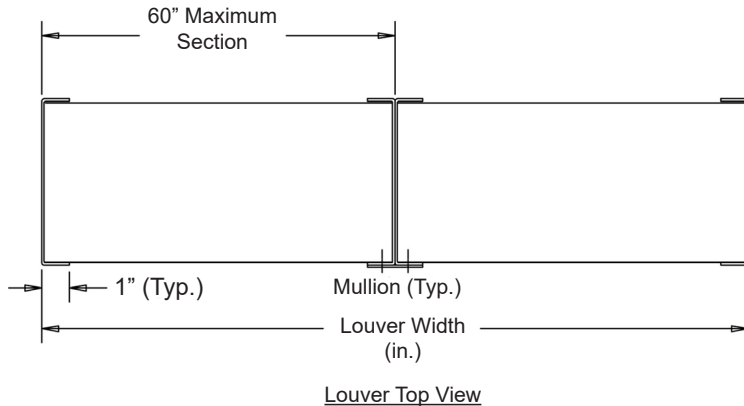
Finish - Baked Enamel, Kynar, Anodize

**NOTES**

- 1/2" nominal deduction will be made to the opening size given.

**LOUVER SIZES**

Min Panel	Max Single Panel
12"W x 24"H	60"W x 96"H



Nominal Deductions will be made to the opening size given.

In the interest of product development, Airline Louvers reserves the right to make changes without notice.

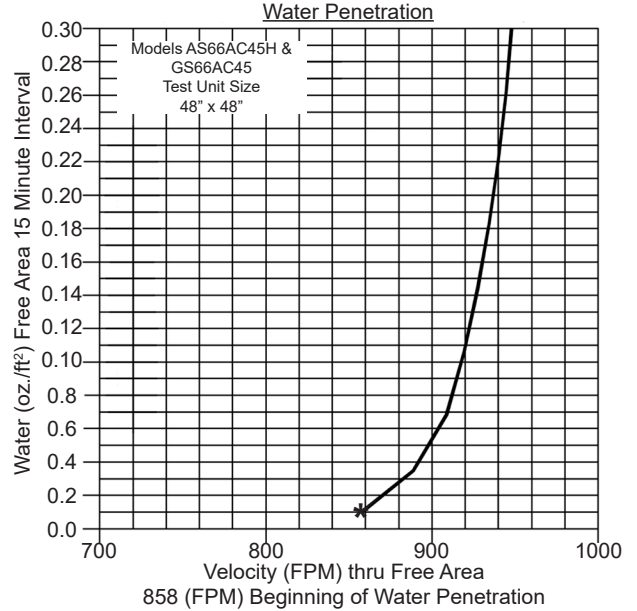
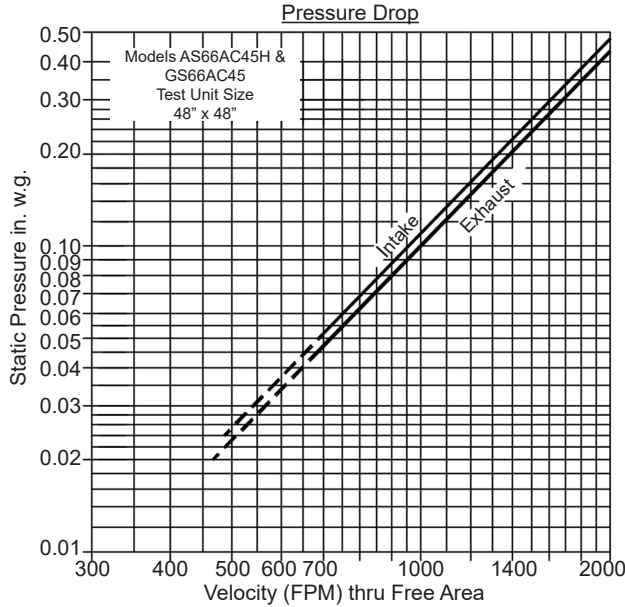
Item #	Qty	Width	Height	Width	Height	Mullion	Type	Location	Material	Union Made	
		Opening Size		Louver Size			Screens				
<b>Arch. / Eng. :</b>						<b>EDR:</b>		<b>ECN:</b>		<b>Job:</b>	
<b>Contractor:</b>											
<b>Project:</b>						<b>Date:</b>		<b>DWN:</b>		<b>DWG:</b>	



# AS66AC45H & GS66AC45H

**PERFORMANCE DATA**

Ratings do not include effects of a screen.



Intake air converted to standard air density.  
Tested to AMCA Standard 500-L, Figure 5.5.

Transmission Loss

Octave Band	1	2	3	4	5	6	7	8
Frequency (Hz)	63	125	250	500	1000	2000	4000	8000
Sound Transmission Loss (db)	4	4	2	4	8	12	8	9
Free Field Noise Reduction	10	10	8	10	14	18	14	15

Attenuation

Octave Band Center Frequency (Hz)

Distance from Louver (ft)	Octave Band Center Frequency (Hz)							
	1 / 63	2 / 125	3 / 250	4 / 500	5 / 1000	6 / 2000	7 / 4000	8 / 8000
0'	10	10	8	10	14	18	14	15
10'	22	22	20	22	26	30	26	27
50'	36	36	34	36	40	44	40	41
100'	42	42	40	42	46	50	46	47
200'	48	48	46	48	52	56	52	53
500'	56	56	54	56	60	64	60	61
1000'	62	62	60	62	66	70	66	67

Attenuation chart is a combination of the Model AS66AC45H and GS66AC45H sound transmission loss and the reduction of sound energy as a function of distance.

Free Area (sq. ft.)

		Width (in.)							
		12"	24"	30"	36"	42"	48"	54"	60"
Height (in.)	24"	.39	.87	1.10	1.34	1.58	1.81	2.05	2.29
	36"	.66	1.45	1.84	2.23	2.63	3.02	3.42	3.81
	48"	.92	2.02	2.58	3.13	3.68	4.23	4.78	5.34
	60"	1.18	2.60	3.31	4.02	4.73	5.44	6.15	6.86
	72"	1.45	3.18	4.05	4.92	5.78	6.65	7.52	8.39
	84"	1.71	3.76	4.78	5.81	6.84	7.86	8.89	9.91
96"	1.97	4.34	5.52	6.70	7.89	9.07	10.25	11.44	