

# AS4B30H

**STANDARD MATERIALS AND CONSTRUCTION**

**FRAME:** .081" thick (nominal) extruded aluminum, 6063-T52/T6 alloy.

**BLADE:** .081" thick (nominal) extruded aluminum, 6063-T52/T6 alloy.  
Blades approximately 3" on center.

**LOUVER FACE:** Full width sill, with blades and head contained in jambs.

**SCREEN:** (When indicated.)

1/2" flattened aluminum (.051" thick),

-or- 1/2" sq. mesh, intermediate double-crimped aluminum wire, .063" dia.,

-or- 1/8" mesh, .011" dia. aluminum wire, insect screen.

**FINISH:** Mill

**OPTIONS**

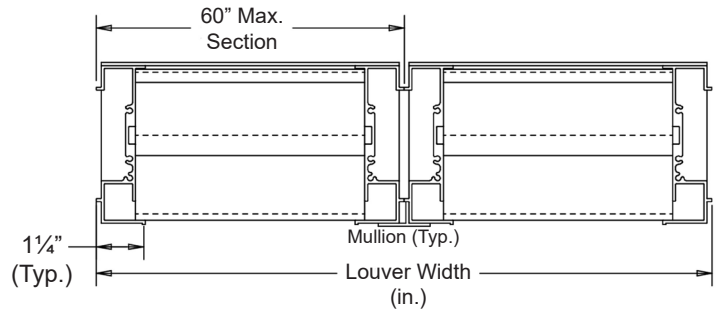
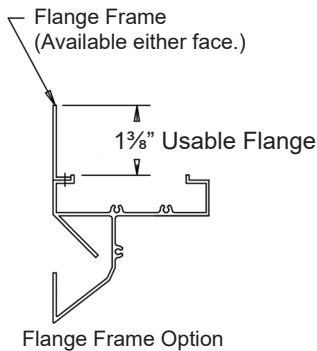
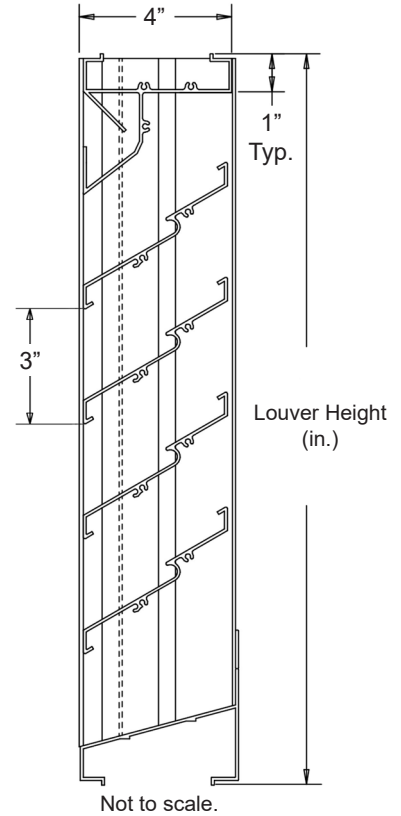
Finish - Baked Enamel, Kynar, Anodize

**NOTES**

1. 1/2" nominal deduction will be made to the opening size given.
2. Approximate shipping weight is 5.2 lbs./sq.ft.

**LOUVER SIZES**

Min Panel	Max Single Panel
12"W x 12"H	60"W x 96"H



In the interest of product development, Airline Louvers reserves the right to make changes without notice.

<b>Item #</b>	<b>Qty</b>	<b>Width</b>	<b>Height</b>	<b>Width</b>	<b>Height</b>	<b>Mullion</b>	<b>Type</b>	<b>Location</b>		
		<b>Opening Size</b>		<b>Louver Size</b>				<b>Screens</b>		<b>Union Made</b>
<b>Arch. / Eng. :</b>						<b>EDR:</b>		<b>ECN:</b>		<b>Job:</b>
<b>Contractor:</b>										
<b>Project:</b>						<b>Date:</b>		<b>DWN:</b>		<b>DWG:</b>

# AS4B30H

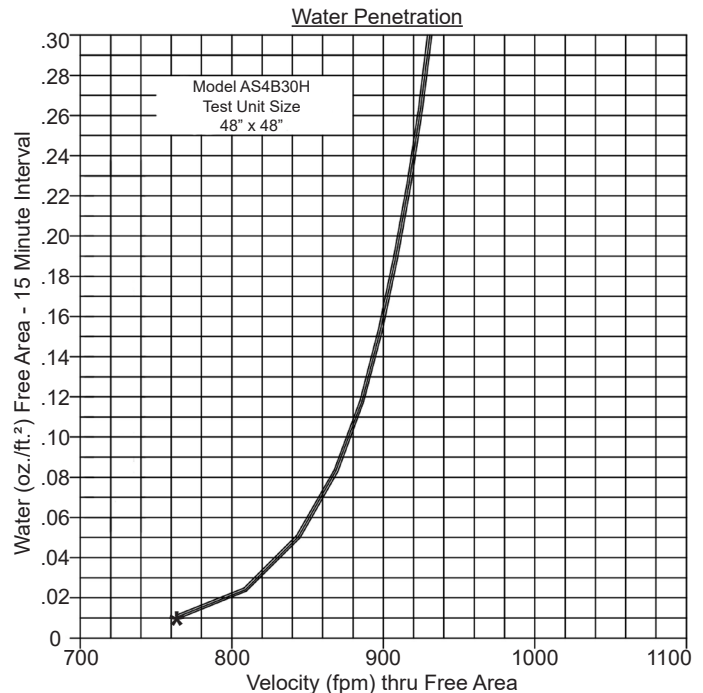
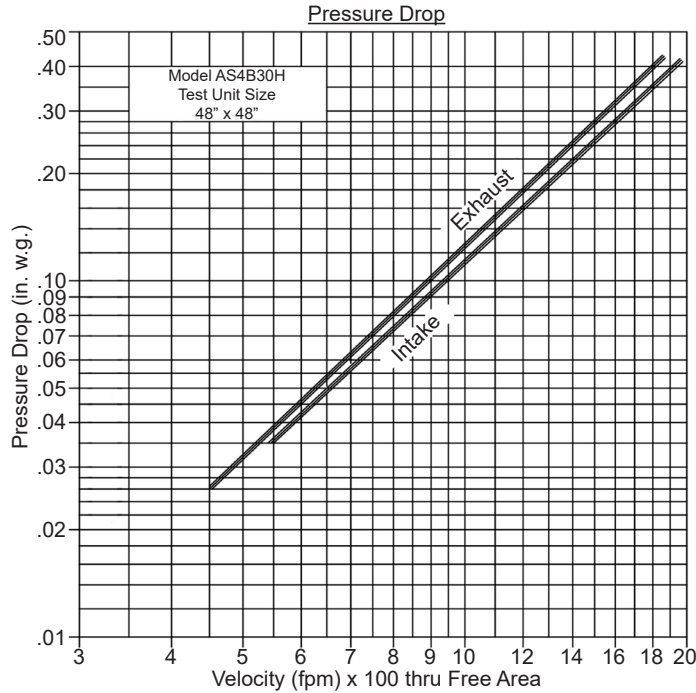
### PERFORMANCE DATA

Pressure Drop: .08 in. w.g. at 780 fpm (Intake)

Free Area: 7.66 sq.ft. = 47.9% for 48"W x 48"H sample tested in accordance with AMCA Standard 500-L.

Beginning Point of Water Penetration: 763 fpm

Ratings do not include effects of a screen.



Intake air converted to standard air density.  
Tested to AMCA Standard 500-L, Figure 5.5.

763 (FPM) Beginning Point of Water Penetration

Free Area (sq.ft.)

		Width (in.)								
		12"	18"	24"	30"	36"	42"	48"	54"	60"
Height (in.)	12"	.32	.51	.71	.91	1.10	1.30	1.50	1.70	1.89
	24"	.74	1.21	1.68	2.15	2.62	3.08	3.55	4.02	4.49
	36"	1.17	1.91	2.65	3.39	4.13	4.87	5.61	6.35	7.08
	48"	1.60	2.61	3.62	4.63	5.64	6.65	7.66	8.67	9.68
	60"	2.03	3.31	4.59	5.87	7.15	8.43	9.71	10.99	12.28
	72"	2.46	4.01	5.56	7.11	8.66	10.22	11.77	13.32	14.87
	84"	2.89	4.71	6.53	8.35	10.18	12.00	13.82	15.64	17.47
	96"	3.32	5.41	7.50	9.60	11.69	13.78	15.88	17.97	20.06