

AC6D35HC

STANDARD MATERIALS AND CONSTRUCTION

FRAME: .081" thk. (nominal) extruded aluminum 6063-T52/T6 alloy.

BLADES: Stationary blades are .081" thk. (nominal) extruded aluminum 6063-T52/T6 alloy. Adjustable Blades are made from .125" thk. (nominal) extruded aluminum 6063-T52/T6 alloy. Blades are approximately 4½" on centers.

LOUVER FACE: Full width sill with head and blades contained within jambs. Concealed mullion with continuous length stationary blade.

LINKAGE: Extruded aluminum, concealed in the channel out of the airstream. The pivots, which rotate in Celcon bearings, are ½" dia. plated and machined steel. The pivot is locked to the ⅝" dia. aluminum linkage rod by a ¼ - 20 set screw with epoxy locking patch.

BEARINGS: Celcon bearing material so there will be no metal to metal friction.

SHAFT: ½" dia. aluminum "Pin-Lock" rod.

SEALS: Extruded silicone rubber seals at blade edge. Foam on bottom blade. Stainless steel at jambs.

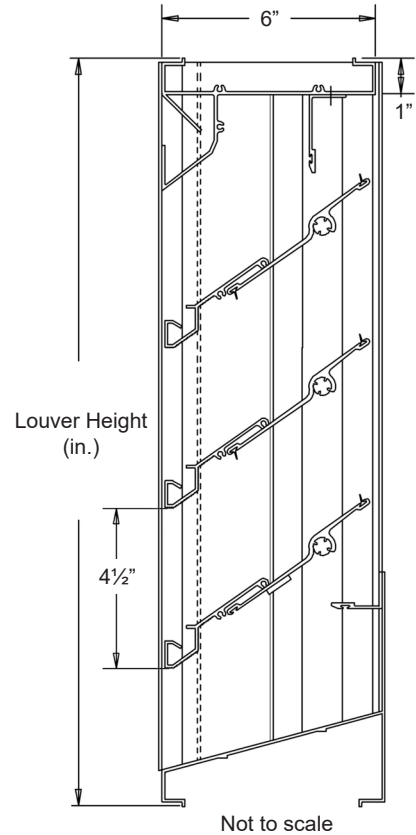
SCREEN: (When indicated, in a removable frame)
½" flattened aluminum, .051" thk.,

-or- Insect screen 18/6 aluminum mesh, .011" dia.,

-or- ½" sq. mesh intermediate double crimped aluminum wire, .063" dia.

FINISH: Mill.

ACTUATOR: 120 VAC spring return normally closed.
133 in-lbs. torque.



OPTIONS

Finishes - Enamels, Epoxies, etc.

Other screens available.

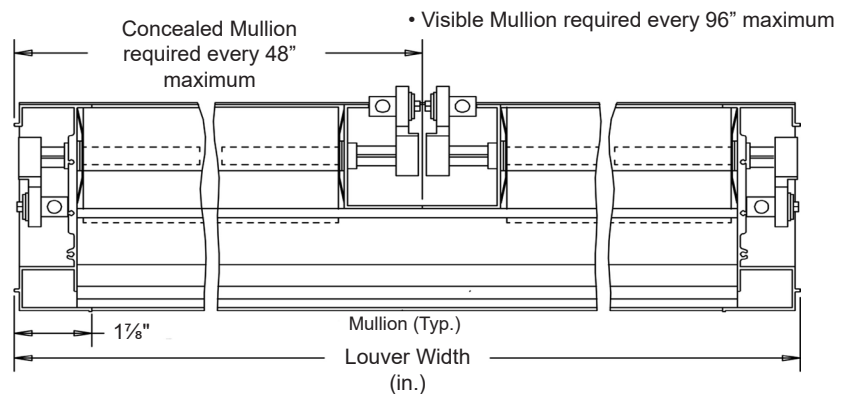
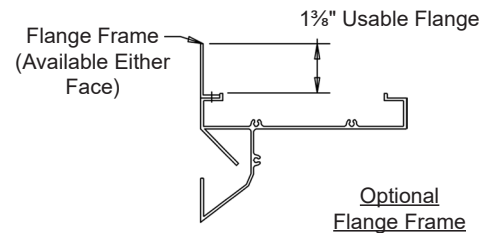
Actuators - Electric, Pneumatic, Manual, etc.

NOTES


1. ½" nominal deduction will be made to the opening size given.
2. Approximate shipping weight is 5.7 lbs./sq.ft.

LOUVER SIZES

Min Panel	Max Single Panel
12"W x 12"H	96"W x 72"H



In the interest of product development, Airline Louvers reserves the right to make changes without notice.

										
Item #	Qty	Width	Height	Width	Height	Mullion	Type	Location		
		Opening Size		Louver Size			Screens			Union Made
Arch. / Eng. :						EDR:		ECN:		Job:
Contractor:										
Project:						Date:		DWN:		DWG: