

AA6S90H

STANDARD MATERIALS AND CONSTRUCTION

FRAME: .081" thick (nominal) extruded aluminum 6063-T52/T6 alloy.

BLADE: .081" thick (nominal) extruded aluminum 6063-T52/T6 alloy.
Blades are approximately 4" on centers.

LOUVER FACE: Full width sill with drain head and non-drain blades contained within the drain jambs.

LINKAGE: Extruded aluminum, concealed in channel out of airstream. Pivots are .50" dia. plated and machined steel. Pivots rotate in a celcon bearing. A .312" dia. aluminum linkage rod is locked to the pivot by a ¼ - 20 set screw with an epoxy locking patch.

SHAFTS: .50" dia. aluminum "Pin-Lock" rod.

SEALS: Extruded silicone rubber seal at blade edge. Polyurethane at the jambs.

SCREEN: (When indicated, in a removable frame.)

½" flattened aluminum, .051" thick,

-or- ½" sq. mesh, intermediate double-crimped aluminum wire, .063" dia.,

-or- 19/64 mesh, .011" dia. aluminum wire, insect screen

FINISH: Mill.

OPTIONS

Finish - Baked Enamel, Kynar, Anodize

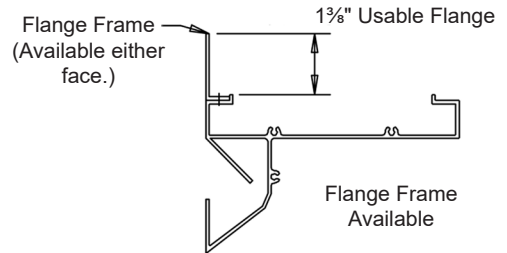
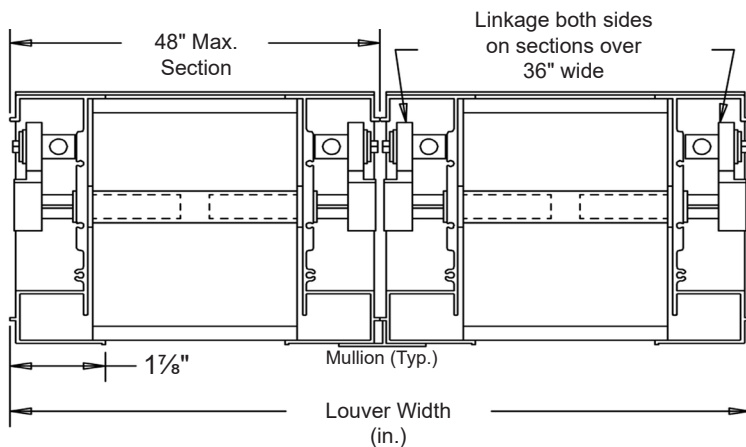
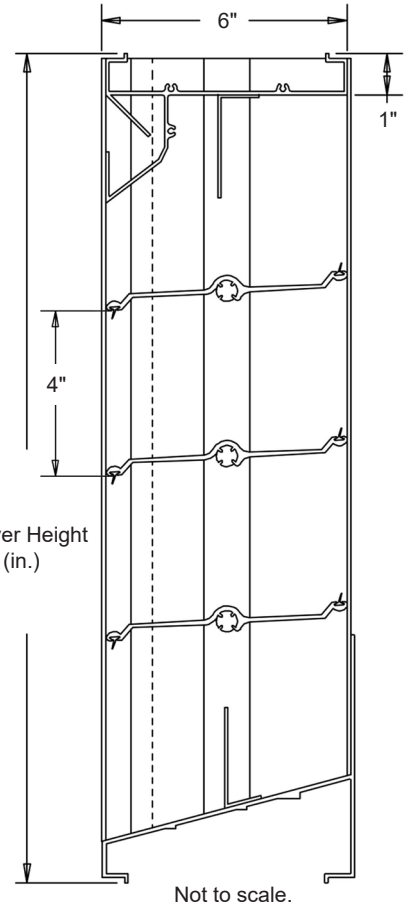
Actuators - Electric, Pneumatic, Manual, etc.

NOTES

1. ½" nominal deduction will be made to the opening size given.
2. Approximate shipping weight is 5.0 lbs./sq.ft.

LOUVER SIZES

Min Panel	Max Single Panel
12"W x 12"H	48"W x 96"H



In the interest of product development, Airline Louvers reserves the right to make changes without notice.

Item #	Qty	Width	Height	Width	Height	Mullion	Type	Location	Union Made
		Opening Size		Louver Size			Screens		
Arch. / Eng. :						EDR:		ECN:	Job:
Contractor:									
Project:						Date:		DWN:	DWG:

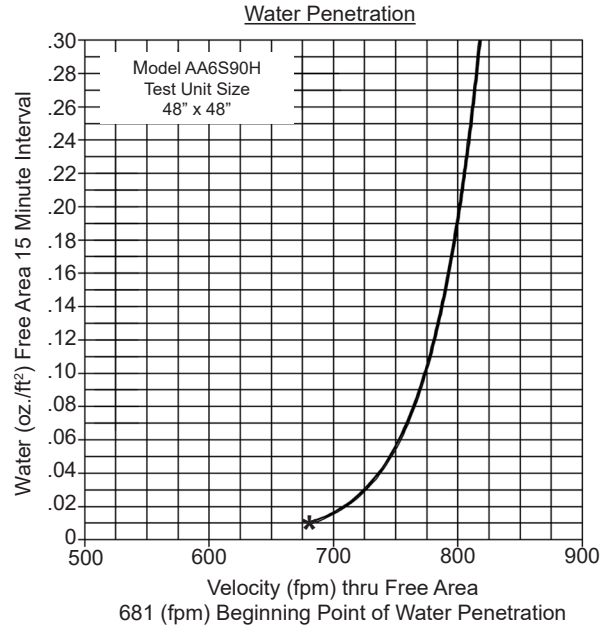
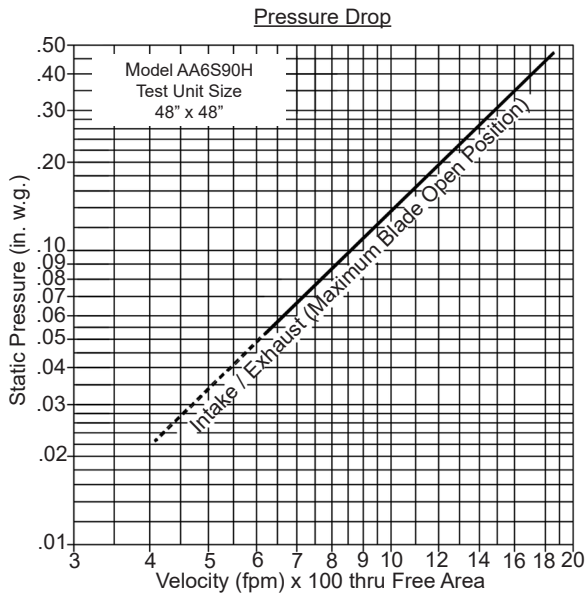


AA6S90H

PERFORMANCE DATA

Pressure Drop: .14 in. w.g. at 1000 fpm (intake)
 Free Area: 10.71 sq.ft. = 67% for 48"W x 48"H sample tested in accordance with AMCA Standard 500-L.
 Beginning Point of Water Penetration: 681 fpm

Ratings do not include the effects of a screen



		Width (in.)						
		12"	18"	24"	30"	36"	42"	48"
Height (in.)	12"	.22	.39	.56	.73	.90	1.07	1.24
	24"	.79	1.38	1.97	2.56	3.15	3.74	4.33
	36"	1.35	2.36	3.37	4.38	5.39	6.40	7.41
	48"	1.91	3.34	4.77	6.21	7.64	9.07	10.71
	60"	2.47	4.32	6.18	8.03	9.89	11.74	13.59
	72"	3.03	5.31	7.58	9.86	12.13	14.41	16.68
	84"	3.59	6.29	8.99	11.68	14.38	17.07	19.77
	96"	4.16	7.27	10.39	13.51	16.63	19.74	22.86