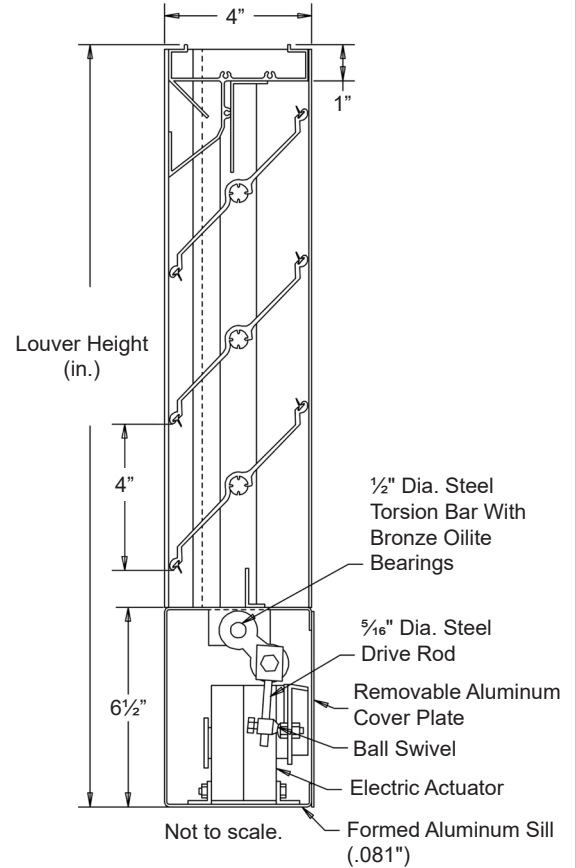


AA4S35HM

STANDARD MATERIALS AND CONSTRUCTION

- FRAME:** .081" thk. (nominal) extruded aluminum, 6063-T52/T6 alloy.
- BLADE:** .081" thk. (nominal) extruded aluminum 6063-T52/T6 alloy.
Blades are approximately 4" on centers.
- LOUVER FACE:** Full width sill with drain head and non-drain blades contained within drain jambs.
- SHAFT:** .50" dia aluminum "Pin-Lock" rod.
- BEARINGS:** "Double Sealed" bearing, with inner bearing riding inside a polycarbonate outer bearing, designed so that Celcon bearing material will not cause metal to metal friction.
- LINKAGE:** Extruded aluminum, concealed in the channel out of the airstream. The pivots, which rotate in Celcon bearings, are .50" dia. plated and machined steel. The pivot is locked to the 5/16" dia. aluminum linkage rod by a 1/4 - 20 set screw with epoxy locking patch.
- SEALS:** Extruded silicone rubber seals at blade edge.
Polyurethane at jambs.
- SCREEN:** (When indicated, in a removable frame)
1/2" flattened aluminum, .051" thk,
-or- Insect screen 1 5/8" aluminum mesh, .011" dia,
-or- 1/2" sq. mesh intermediate double crimped aluminum wire, .063" dia.
- FINISH:** Mill.
- ACTUATOR:** 120 VAC, spring return normally closed.
133 in-lbs. torque.



OPTIONS

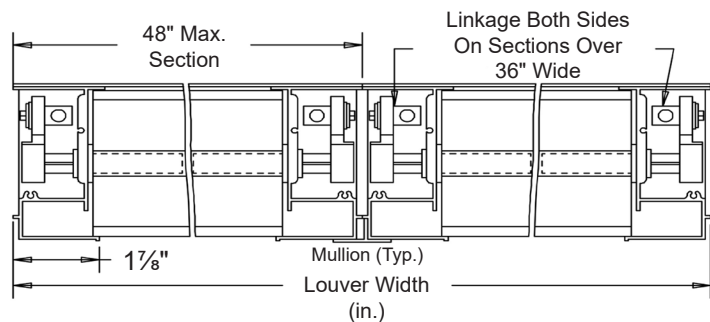
Finishes - Enamels, Epoxies, etc.
Other screens also available.

NOTES


1. 1/2" nominal deduction will be made to the opening size given.
2. Approximate shipping weight is 5.0 lbs./sq.ft.

LOUVER SIZES

Min Panel	Max Single Panel
12"W x 19"H	48"W x 96"H



In the interest of product development, Airline Louvers reserves the right to make changes without notice.

								
Item #	Qty	Width	Height	Width	Height	Mullion	Type	Location
		Opening Size		Louver Size			Screens	
Arch. / Eng. :						EDR:	ECN:	Job:
Contractor:								
Project:						Date:	DWN:	DWG: