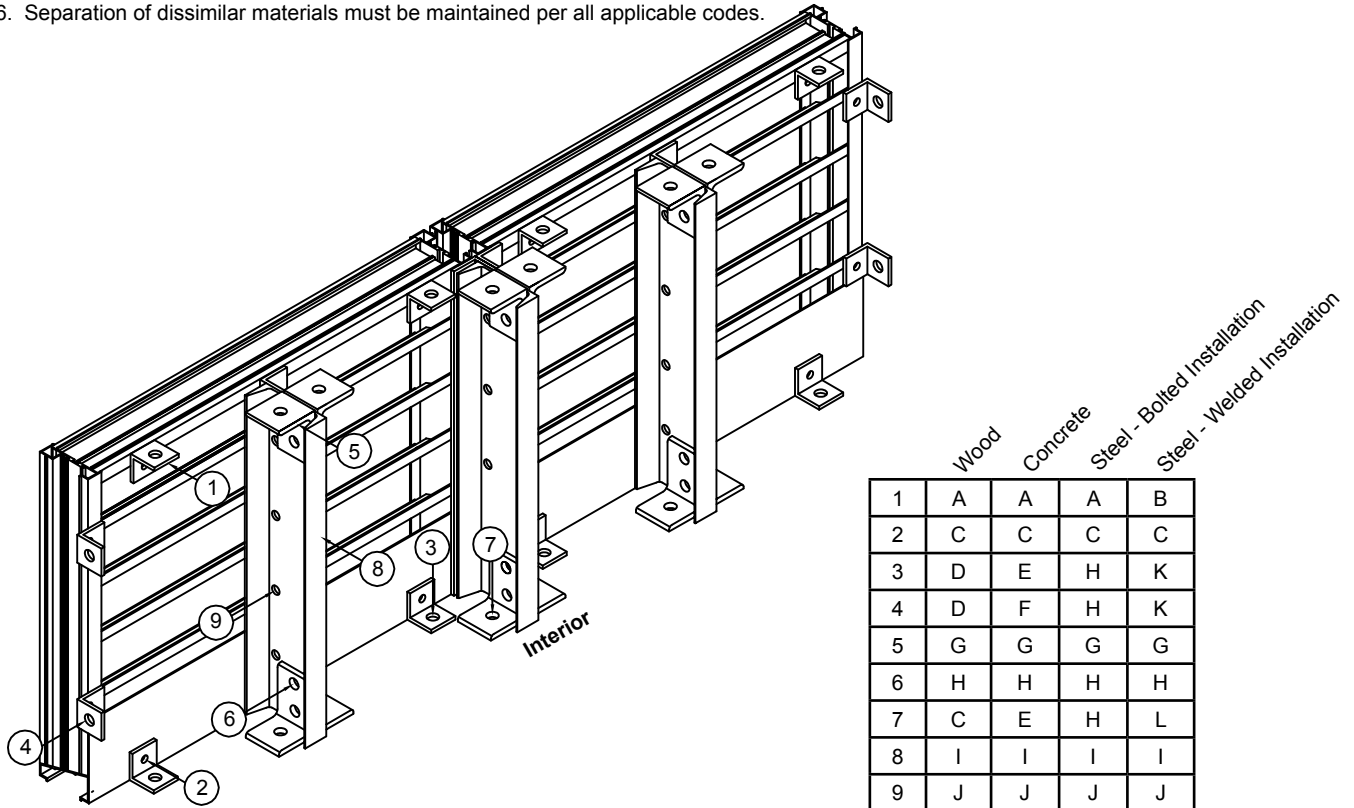


Standard Installation

Hurricane Louver Model: A220

General Notes:

1. The A220 louver system has been designed and tested in accordance with the Florida Building Code (FBC) including the HVHZ (High Velocity and Hurricane Zones) and Protocols TAS-201, 202, and 203.
2. This system has not been tested for water infiltration resistance and is not a water resistant system.
3. It shall be the responsibility of the permit holder to verify the structural integrity of the existing structure to support the loads superimposed by the louvers.
4. Maximum single panel shall be 60"W x 96"H. The louver panels may be butted together to infinite width. The assemblies may be stacked vertically providing a structural support is designed and installed by others to support all loads transferred for the louver assembly.
5. Muller panels may be horizontally installed to an unlimited number. Vertical stacking of mulled panels may occur providing structural support is designed, provided, and installed by others to support all loads transferred from the louver assembly.
6. Separation of dissimilar materials must be maintained per all applicable codes.



Substrate	
Type	Requirement
Wood	Grade 2 Min. G = 0.55 Density Min.
Steel	1/8" thick A36 (36 ksi) Min.
Concrete	3000 psi Min.
Masonry	C-90 CMU Min.

All Fasteners Must Be A307 Plated Steel or 304 Stainless Steel	
A	2" x 2" x 1/4" x 2" Aluminum Clip Angle Within 4" of Jamb Ends and 8" Max O.C.
B	2" x 2" x 1/4" x 2" A36 Steel Clip Angle Within 4" of Jamb Ends and 8" Max O.C.
C	#14 Tek Screw
D	1/2" (dia.) x 2" Lag Screw with Flat Washer
E	3/8" (dia.) x 1 7/8" Sleeve Anchor with Flat Washer
F	5/8" (dia.) x 2 1/4" Sleeve Anchor with Flat Washer
G	4" x 3" x 3/8" x 2 3/4" A36 Steel Channel Mounting Angle
H	1/2" (dia.) x 2" Hex Head Bolt with Flat Washer, Lock Washer and Nut
I	C5 x 6.7 A36 Steel Channel
J	5/16" (dia.) - 18 UNC x 1 1/2" Hex Head Bolt with Flat Washer, Lock Washer, and Nut
K	Weld 3/16" Thick, 1 1/2" Long, Two Welds per Clip Angle
L	Weld - 1/4" Thick, 2" Long, One Weld per Channel Mounting Angle

Standard Installation

Hurricane Louver Model: A220

This page intentionally left blank,