

**STANDARD MATERIALS AND CONSTRUCTION**

- INNER FRAME:** .060" thick (nominal) 6063-T52/T6 extruded aluminum.
- OUTER FRAME:** .060" thick (nominal) 6063-T52/T6 extruded aluminum.
- GLASS:** ¼" thick, all panes.
- GASKET:** Neoprene / Ether.
- MOUNT HOLES:** On corners as standard. Available with no holes.
- FINISH:** Mill.

**NOTES**

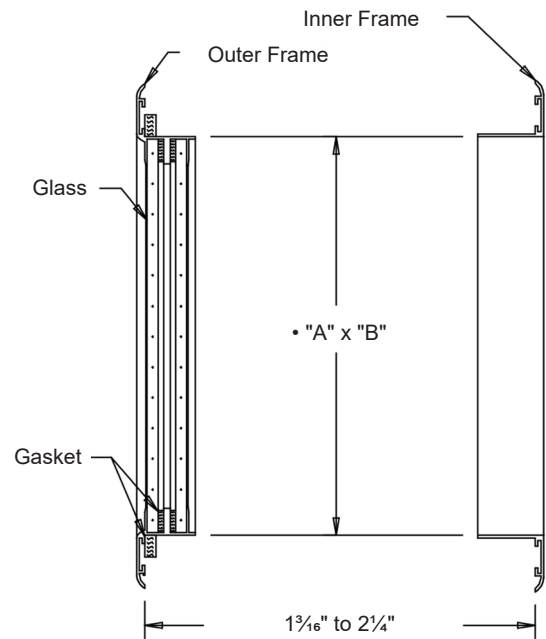
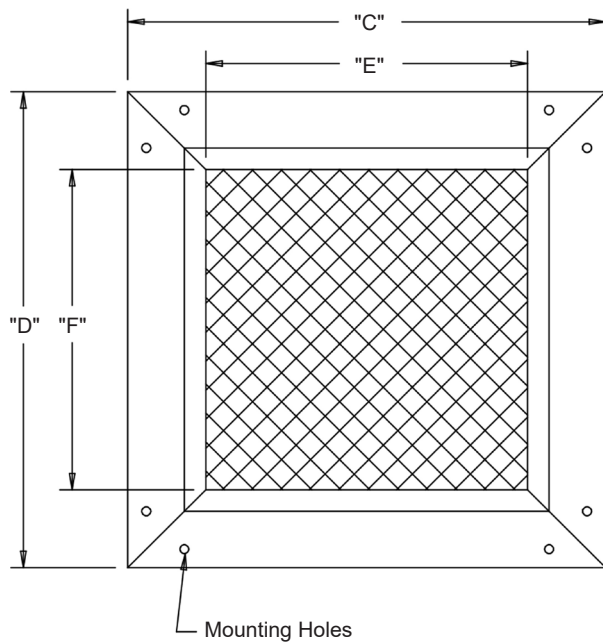
1. Unless otherwise specified, door will be fabricated ¼" under listed size. Dimensional tolerance is ± .075.
2. View size is 1⅝" under nominal opening size.
3. View port will accommodate a maximum wall thickness of 2¼". Consult factory if wall size is less than 1⅜" thick.
4. View port units are not leak proof.
5. On thermal pane models, wire glass will be on the outside of the view port.

**VIEW PORT SIZES**


Min Size	Max Size
6"W x 6"H	24"W x 24"H

Glass Types

- P = ¼" thick plexi-glass
- W = ¼" wire glass
- T = Thermal pane, (1) ¼" wire, (1) ¼" clear



Not to scale.

Item #	Qty	Single	Double	P	W	T	"A" Width	"B" Height	"C" Width	"D" Height	"E" Width	"F" Height	
		VCS Panes		Glass Type			Opening Size		Outside Frame Size		View Size		
<b>Arch. / Eng.:</b>							<b>EDR:</b>		<b>ECN:</b>		<b>Job:</b>		
<b>Contractor:</b>													
<b>Project:</b>							<b>Date:</b>		<b>DWN:</b>		<b>DWG:</b>		