

**STANDARD MATERIALS AND CONSTRUCTION**

**FRAME:** 18-GA. galvanized steel.

**BLADE:** 18-GA. galvanized steel. Blades approximately 6<sup>9</sup>/<sub>16</sub>" on centers.

**SCREEN:** (When indicated)  
1/2" mesh, 19-GA. galvanized steel (.041").

**CONSTRUCTION:** Riveted and/or welded, full jambs with blades, head and sill contained within.

**OPTIONS**

Flange Frame available.

Finishes - Enamels, Epoxies, etc.

Material - 304 or 316 Stainless steel

Screens - Insect screen 1<sup>8</sup>/<sub>16</sub> aluminum mesh,

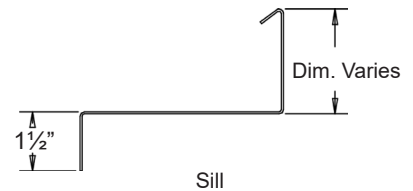
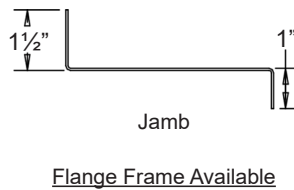
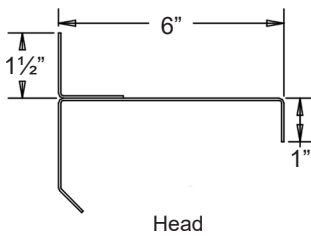
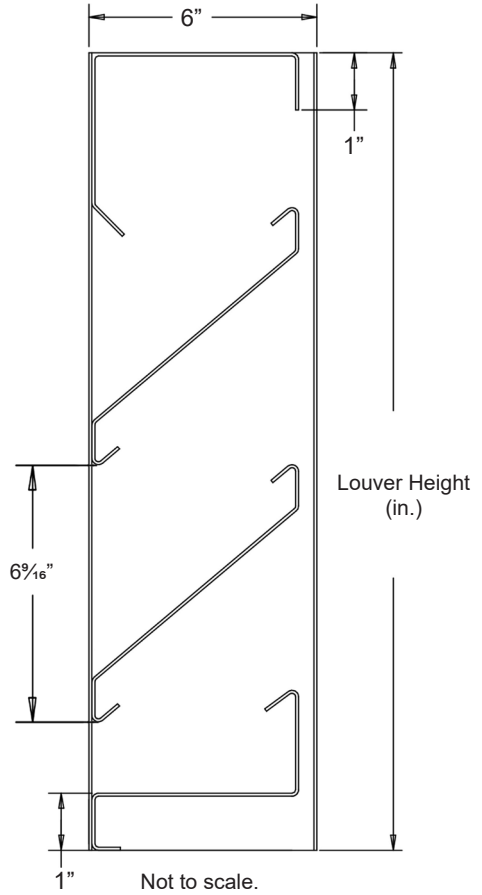
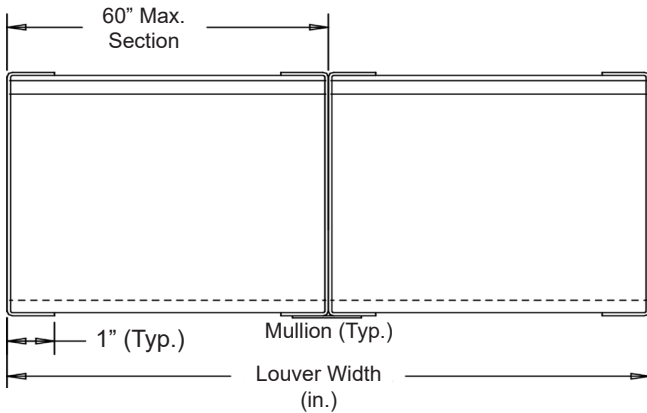
- or- 1/2" flattened aluminum, .051",
  - or- 1/4" sq. mesh, 18-GA galvanized steel, .047",
  - or- 1/2" sq. mesh, 18-GA stainless steel, .047",
- Others available.


**NOTES**

1. 1/2" nominal deduction will be made to the opening size given.
2. Approximate shipping weight is 8.5 lbs./sq.ft.

**LOUVER SIZES**

Min Panel	Max Single Panel
12"W x 12"H	60"W x 96"H



										 <b>Union Made</b>
Item #	Qty	Width	Height	Width	Height	Mullion	Type	Location		
		Opening Size		Louver Size			Screens			
<b>Arch. / Eng. :</b>						<b>EDR:</b>		<b>ECN:</b>		<b>Job:</b>
<b>Contractor:</b>										
<b>Project:</b>						<b>Date:</b>		<b>DWN:</b>		<b>DWG:</b>

FREE AREA TABLE

		Free Area (sq.ft.)								
		Width (in.)								
		12"	18"	24"	30"	36"	42"	48"	54"	60"
Height (in.)	12"	.19	.31	.42	.53	.65	.76	.88	.99	1.11
	24"	.56	.89	1.23	1.56	1.90	2.23	2.57	2.90	3.24
	36"	1.05	1.68	2.31	2.94	3.56	4.19	4.82	5.45	6.08
	48"	1.61	2.58	3.54	4.51	5.48	6.44	7.41	8.38	9.34
	60"	2.17	3.48	4.78	6.09	7.39	8.69	10.00	11.30	12.61
	72"	2.71	4.33	5.95	7.58	9.20	10.83	12.45	14.08	15.70
	84"	3.17	5.08	6.98	8.89	10.79	12.69	14.60	16.50	18.40
	96"	3.54	5.67	7.80	9.92	12.05	14.18	16.30	18.43	20.56