

Formed Steel Louver ▲ 6" Deep ▲ 45° Drainable Blades ▲ Adjustable ▲ Galvanized Steel

STANDARD MATERIALS AND CONSTRUCTION

FRAME: 18-GA. galvanized steel.

BLADE: 18-GA. galvanized steel, open to 45°.

AXLES: 1/2" dia. extruded aluminum "pin-lock" rod with "double-sealed" bearings.

CONSTRUCTION: Welded and/or riveted for maximum service.

LINKAGE: Concealed in one jamb out of airstream, up to 48" width.

SEALS: Stainless steel at jambs.

SCREEN: (when indicated, specify interior or exterior)
1/2" sq. mesh, 19-GA. galvanized steel, .041".

FINISH: Mill.

OPTIONS

Frames and Blades of other gauges

Materials - 304 or 316 Stainless steel, Copper, Aluminum, etc.

Neoprene blade edge seals

Finishes - Enamels, Epoxies, etc.

Screens - Insect screen 1/16" aluminum mesh, .011",

-or- 1/2" flattened aluminum, .051",

-or- 1/4" sq. mesh, 18-GA galvanized steel, .047",

-or- 1/2" sq. mesh, 18-GA stainless steel, .047",

And others.

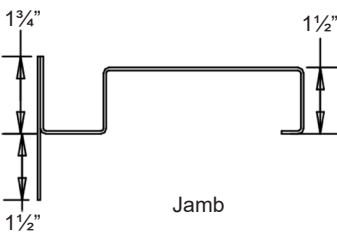
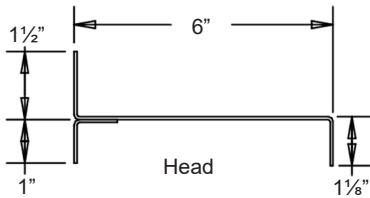
NOTES

1. 1/2" nominal deduction will be made to the opening size given.

2. Approximate shipping weight is 8.0 lbs./sq.ft.

LOUVER SIZES

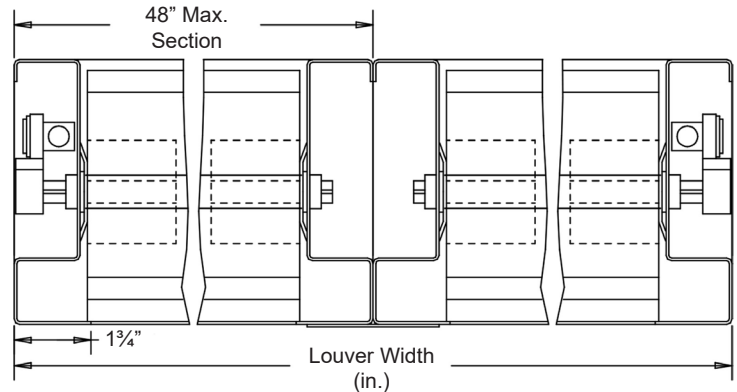
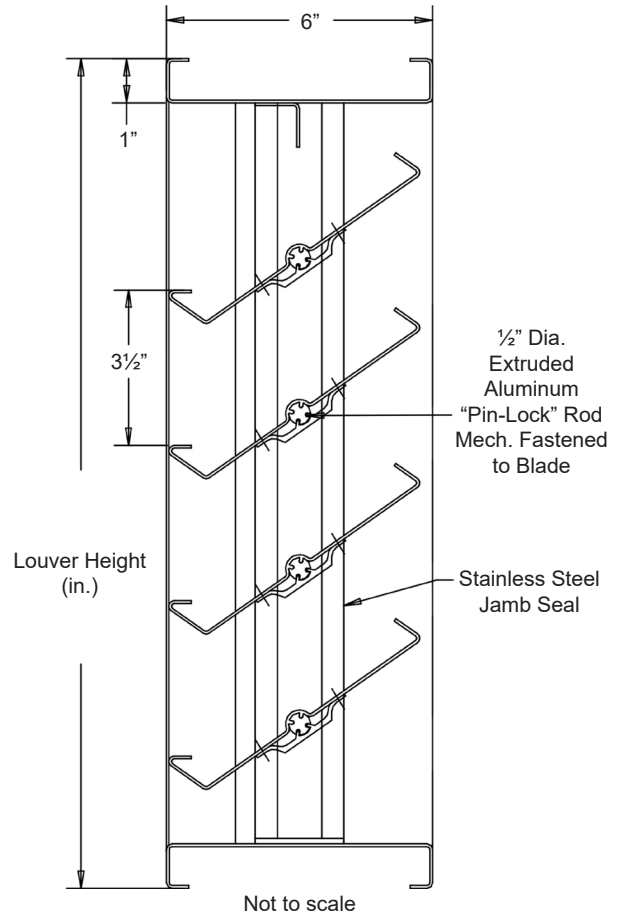
Min Panel	Max Single Panel
12"W x 12"H	48"W x 96"H



Flange Frame available



Sill



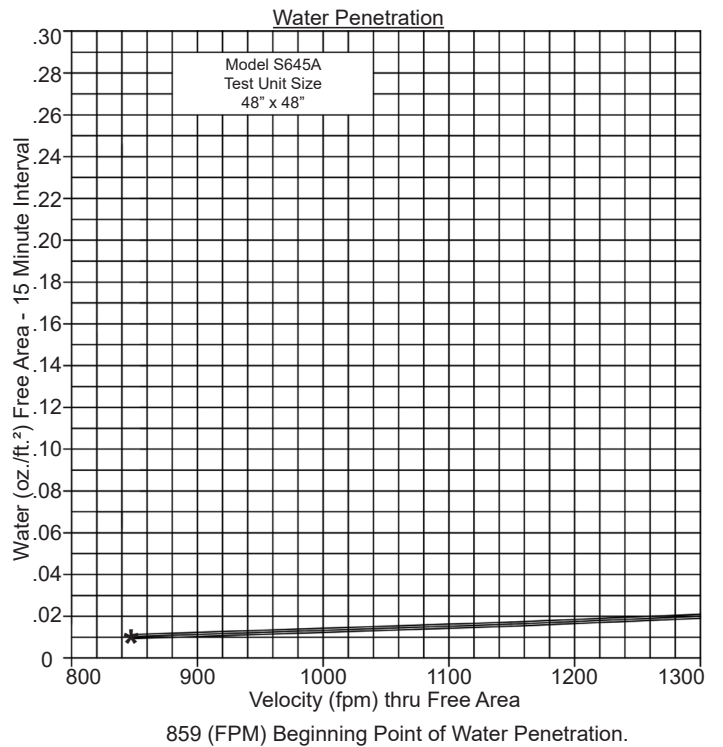
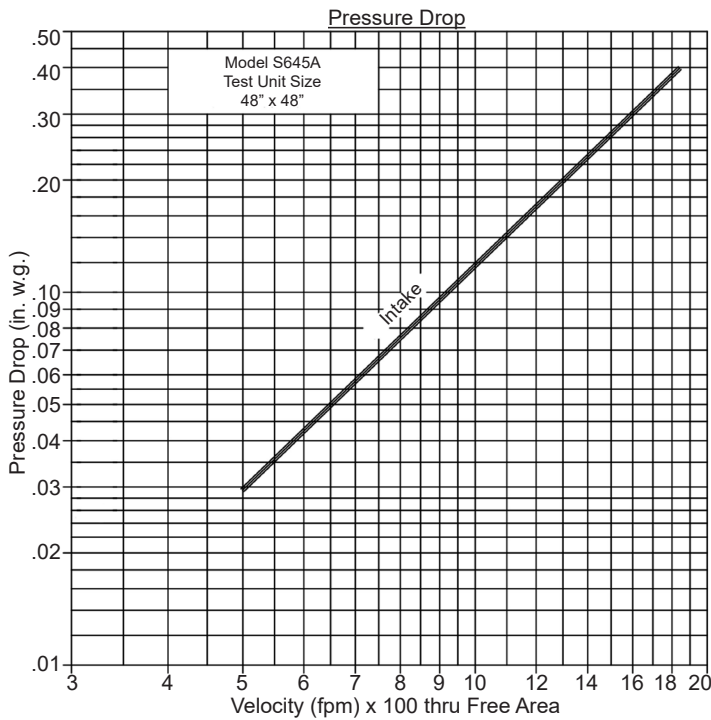
Item #	Qty	Width	Height	Width	Height	Mullion	Type	Location	Union Made
		Opening Size		Louver Size			Screens		
Arch. / Eng. :						EDR:	ECN:	Job:	
Contractor:									
Project:						Date:	DWN:	DWG:	



PERFORMANCE DATA

Pressure Drop: .18 in. w.g. at 1200 fpm
 Free Area: 8.50 sq.ft. = 53% for 48"W x 48"H sample tested in accordance with AMCA Standard 500-L.
 Beginning Point of Water Penetration: 859 (fpm)

Ratings do not include the effects of a screen.



Free Area (sq. ft.)

		Width (in.)								
		12"	18"	24"	30"	36"	42"	48"	54"	60"
Height (in.)	12"	.31	.51	.71	.91	1.10	1.30	1.50	1.66	1.89
	24"	.75	1.21	1.67	2.14	2.61	3.07	3.54	4.01	4.47
	36"	1.27	2.05	2.84	3.64	4.43	5.23	6.02	6.81	7.61
	48"	1.73	2.90	4.02	5.14	6.26	7.38	8.50	9.62	10.74
	60"	2.23	3.59	4.98	6.37	7.76	9.15	10.54	11.93	13.32
	72"	2.72	4.44	6.15	7.87	9.58	11.30	13.02	14.74	16.46
	84"	3.19	5.13	7.12	9.10	11.09	13.08	15.06	17.05	19.04
	96"	3.71	5.98	8.29	10.60	12.92	15.23	17.54	19.86	22.17