

## Formed Steel Louver ▲ 6" Deep ▲ 30° Straight Blades ▲ Stationary ▲ Galvanized Steel

### STANDARD MATERIALS AND CONSTRUCTION

- FRAME:** 18-GA. galvanized steel, channel or flanged type.
- BLADE:** 18-GA. galvanized steel. Blades approximately 4" on centers.
- SCREEN:** (When indicated)  
1/2" sq. mesh, 19-GA. galvanized steel (.041").
- CONSTRUCTION:** Riveted and/or welded, full jambs with blades, head and sill contained within.

### OPTIONS

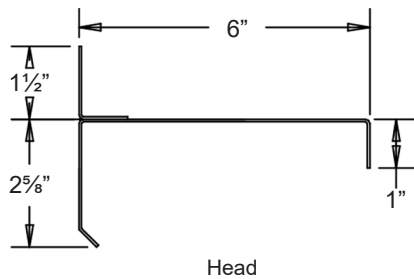
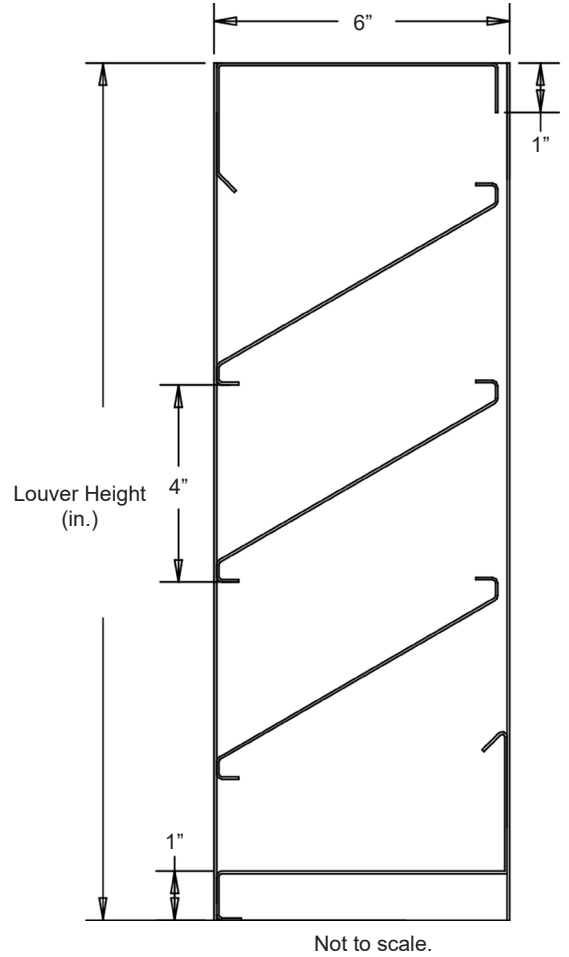
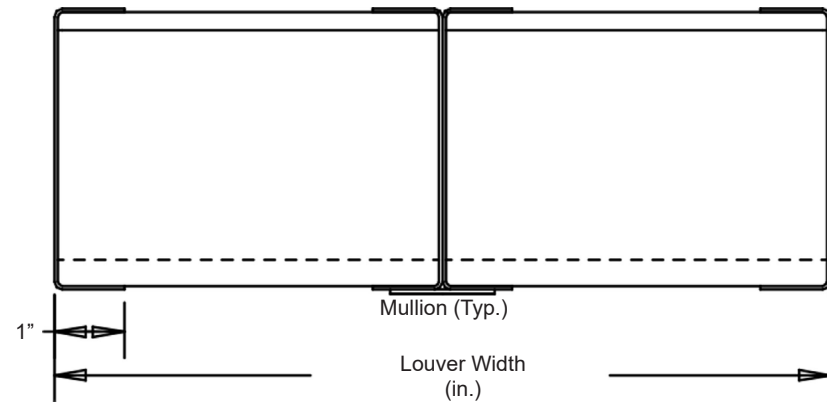
- Frames and Blades of other gauges
- Material - 304 or 316 Stainless steel, Copper, Aluminum, etc.
- Finishes - Enamels, Epoxies, etc.
- Screens - Insect screen 1/16" aluminum mesh,  
-or- 1/2" flattened aluminum, .051",  
-or- 1/4" sq. mesh, 18-GA galvanized steel, .047",  
-or- 1/2" sq. mesh, 18-GA stainless steel, .047",  
Others available.

### NOTES

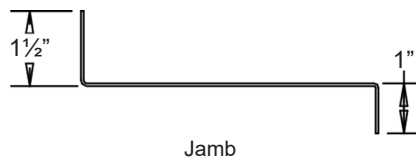
1. Nominal deductions will be made to the opening size given.
2. Approximate shipping weight is 11.0 lbs./sq.ft.

### LOUVER SIZES

Min Panel	Max Single Panel
12"W x 12"H	60"W x 96"H



Head



Jamb

Flange Frame Available



Sill

Item #	Qty	Width	Height	Width	Height	Mullion	Type	Location	Union Made
		Opening Size		Louver Size			Screens		
Arch. / Eng. :						EDR:	ECN:	Job:	
Contractor:									
Project:						Date:	DWN:	DWG:	

