

STANDARD MATERIALS AND CONSTRUCTION

- FRAME:** 18-GA. galvanized steel.
- BLADE:** 18-GA. galvanized steel. Blades approximately 6 1/16" on centers.
- SCREEN:** (When indicated)
1/2" sq. mesh, 19-GA. galvanized steel (.041").
- CONSTRUCTION:** Riveted and/or welded, full jambs with blades, head and sill contained within.

OPTIONS

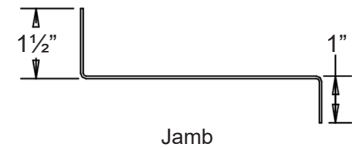
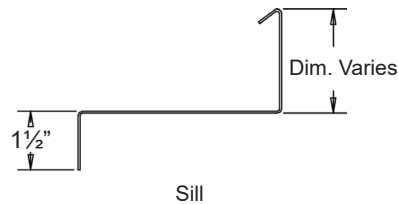
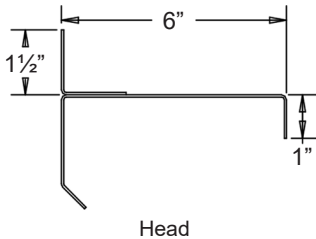
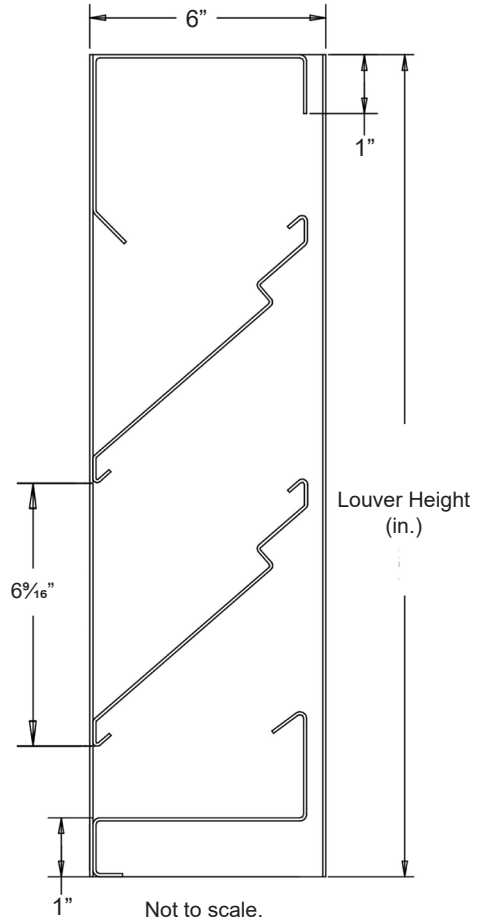
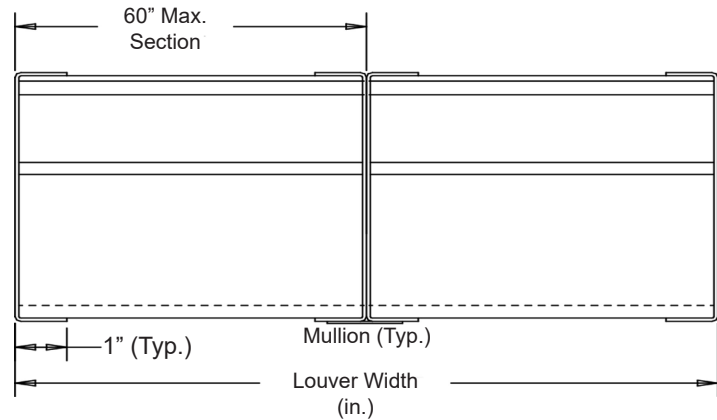
- Flange Frame available.
- Finishes - Enamels, Epoxies, etc.
- Materials - 304 or 316 Stainless steel.
- Screens - Insect screen 18/16 aluminum mesh,
 - or- 1/2" flattened aluminum, .051",
 - or- 1/4" sq. mesh, 18-GA galvanized steel, .047",
 - or- 1/2" sq. mesh, 18-GA stainless steel, .047",
- Others available.

NOTES


1. Nominal deductions will be made to the opening size given.
2. Average shipping weight is 8.5 lbs./sq.ft.

LOUVER SIZES

Min Panel	Max Single Panel
12"W x 12"H	60"W x 96"H



Flanged Frame Available

										 Union Made
Item #	Qty	Width	Height	Width	Height	Mullion	Type	Location		
		Opening Size		Louver Size			Screens			
Arch. / Eng. :						EDR:		ECN:		Job:
Contractor:										
Project:						Date:		DWN:		DWG:

FREE AREA TABLE

		Free Area (sq.ft.)								
		Width (in.)								
		12"	18"	24"	30"	36"	42"	48"	54"	60"
Height (in.)	12"	.20	.32	.45	.57	.69	.81	.93	1.06	1.18
	24"	.59	.95	1.31	1.67	2.02	2.38	2.74	3.09	3.45
	36"	1.12	1.80	2.47	3.15	3.82	4.50	5.17	5.84	6.52
	48"	1.57	2.52	3.46	4.41	5.35	6.30	7.33	8.19	9.13
	60"	2.10	3.37	4.63	5.89	7.15	8.41	9.67	10.94	12.20
	72"	2.55	4.08	5.61	7.14	8.67	10.20	11.73	13.26	14.79
	84"	3.19	5.11	7.03	8.94	10.86	12.78	14.69	16.61	18.52
96"	3.39	5.42	7.45	9.48	11.51	13.55	15.58	17.61	19.64	