

STANDARD MATERIALS AND CONSTRUCTION

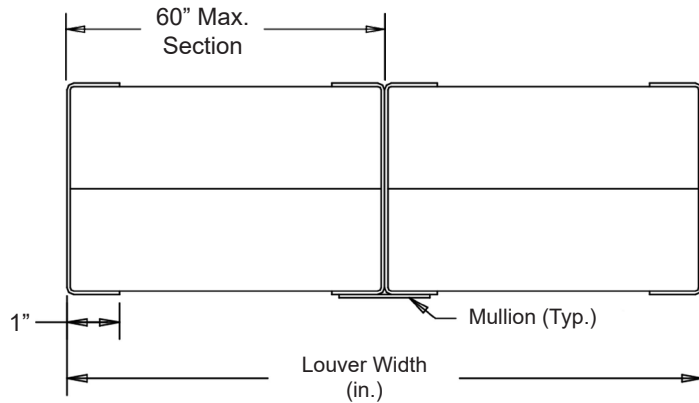
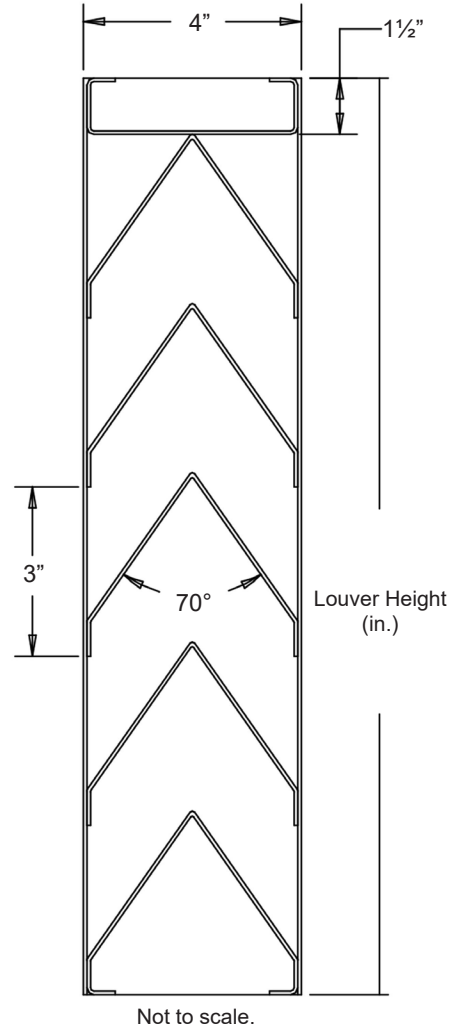
- FRAME:** 18-GA. galvanized steel, channel or flanged type.
- BLADE:** 18-GA. galvanized steel. Blades approximately 3" on centers.
- SCREEN:** (when indicated)
1/2" sq. mesh, 19-GA. galvanized steel, .041".
- CONSTRUCTION:** Riveted and/or welded for maximum service.


OPTIONS

- Frames and Blades of other gauges
- Materials - 304 or 316 Stainless steel, Copper, Aluminum, etc.
- Finishes - Enamels, Epoxies, etc.
- Screens - Insect screen 1/4" aluminum mesh,
 - or- 1/2" flattened aluminum, .051",
 - or- 1/4" sq. mesh, 18-GA galvanized steel, .047",
 - or- 1/2" sq. mesh, 18-GA stainless steel, .047",
- Others available.

NOTES

1. 1/2" nominal deduction will be made to the opening size given.
2. Approximate shipping weight is 10 lbs./sq.ft.



												
Item #	Qty	Width	Height	Width	Height	Mullion	Type	Location				
		Opening Size		Louver Size			Screens					
Arch. / Eng. :						EDR:		ECN:		Job:		
Contractor:												
Project:						Date:		DWN:		DWG:		