

STANDARD MATERIALS AND CONSTRUCTION

- FRAME:** 18-GA. galvanized steel.
- BLADE:** 18-GA. galvanized steel, open to 45°.
- AXLES:** 1/2" dia. extruded aluminum "pin-lock" rod with "double-sealed" bearings.
- CONSTRUCTION:** Welded and/or riveted for maximum service.
- LINKAGE:** Concealed in one jamb out of airstream, up to 48" width. Concealed in both jambs, 48" up to 60" width.
- SEALS:** Stainless steel at jambs.
- SCREEN:** (When indicated, specify exterior or interior) 1/2" sq. mesh, 19-GA. galvanized steel, .041".
- FINISH:** Mill.

OPTIONS

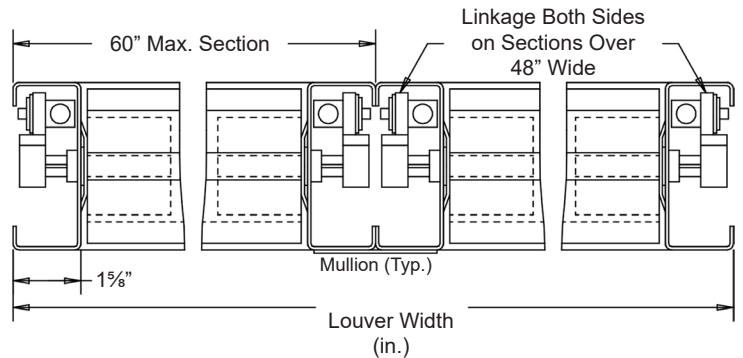
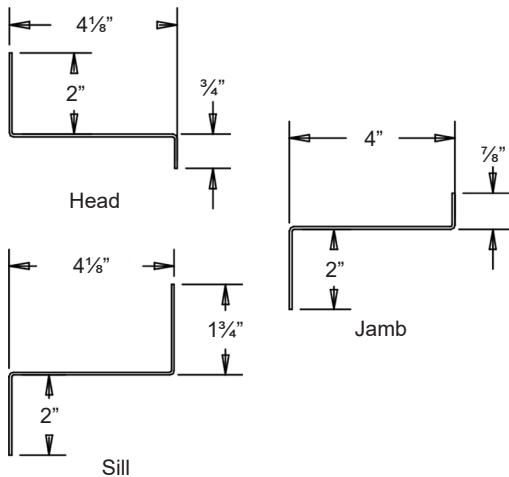
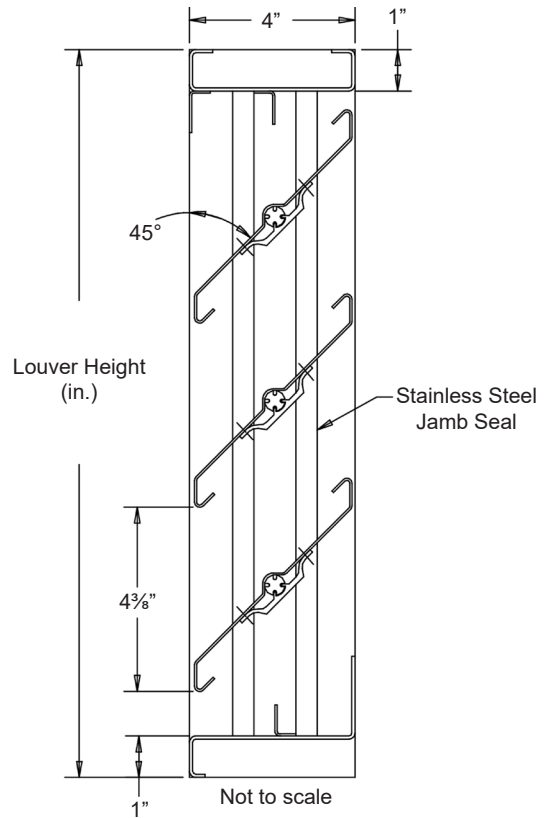
- Frames and Blades of other gauges
- Other materials - Stainless steel, Copper, Aluminum, etc.
- Neoprene blade edge seals
- Finishes - Enamels, Epoxies, etc.
- Screens - Insect screen 1 7/8" aluminum mesh, .011"
 - or- 1/2" flattened aluminum, .051",
 - or- 1/4" sq. mesh, 18-GA galvanized steel, .047",
 - or- 1/2" sq. mesh, 18-GA stainless steel, .047",
 - And others.

NOTES


1. Nominal deductions will be made to the opening size given.
2. Approximate shipping weight is 8.0 lbs./sq.ft.

LOUVER SIZES

Min Panel	Max Single Panel
12"W x 12"H	60"W x 96"H



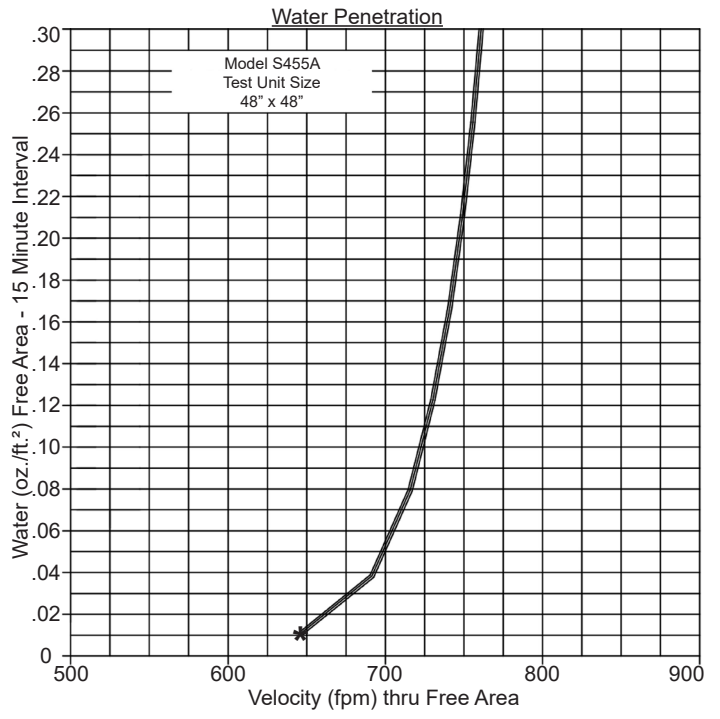
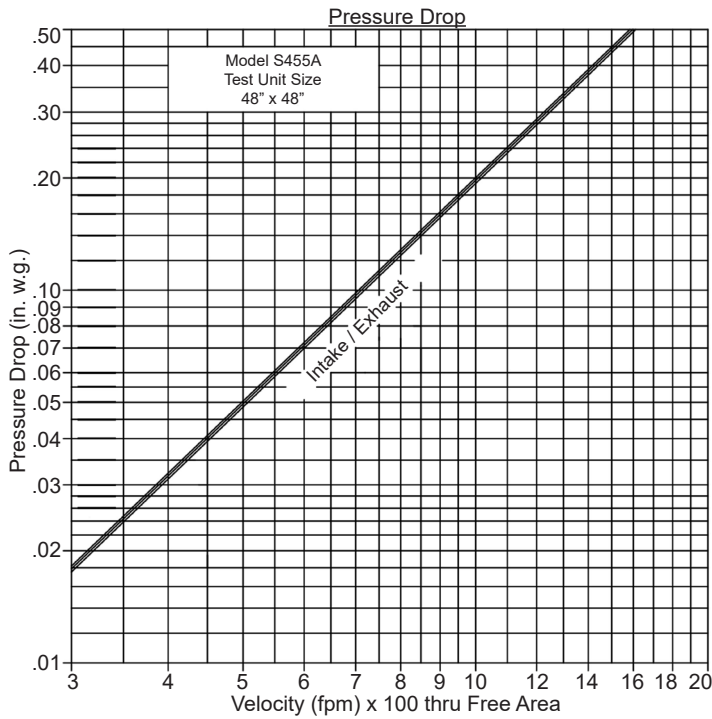
Flange Frame Available

										
Item #	Qty	Width	Height	Width	Height	Mullion	Type	Location		
		Opening Size		Louver Size			Screens			
Arch. / Eng. :						EDR:		ECN:		Job:
Contractor:										
Project:						Date:		DWN:		DWG:

PERFORMANCE DATA

Pressure Drop: .10 in. w.g. at 720 fpm
 Free Area: 7.79 sq.ft. = 48.7% for 48"W x 48"H sample tested in accordance with AMCA Standard 500-L
 Beginning Point of Water Penetration: 645 fpm

Ratings do not include the effects of a screen.



645 (FPM) Beginning Point of Water Penetration.

Free Area (sq. ft.)

		Width (in.)								
		12"	18"	24"	30"	36"	42"	48"	54"	60"
Height (in.)	12"	.25	.39	.54	.69	.84	.99	1.13	1.28	1.43
	24"	.72	1.15	1.59	2.02	2.45	2.89	3.32	3.75	4.18
	36"	1.24	1.98	2.72	3.47	4.21	4.95	5.70	6.44	7.18
	48"	1.69	2.71	3.73	4.74	5.76	6.78	7.79	8.81	9.82
	60"	2.13	3.41	4.69	5.97	7.25	8.53	9.81	11.09	12.37
	72"	2.62	4.19	5.76	7.33	8.90	10.47	12.04	13.61	15.18
	84"	3.13	5.01	6.89	8.77	10.65	12.53	14.41	16.29	18.17
	96"	3.58	5.73	7.88	10.02	12.17	14.32	16.47	18.62	20.76