

Dynamic Fire Damper ▲ 3 Hr. Rated ▲ Single Thickness Blades ▲ Horizontal or Vertical Mount ▲ Non-Motorized ▲ Galvanized Steel

STANDARD MATERIALS AND CONSTRUCTION

- FRAME:** 5½" x 7/8" x 16 GA. galvanized steel hat channel.
- BLADES:** 16 GA. galvanized steel, 6" nominal width, parallel action.
- AXLES:** Square, plated solid steel stub.
- BEARINGS:** Oil impregnated bronze.
- LINKAGE:** Plated steel angle and crank plates with stainless steel pivots in-jamb type.
- STOPS:** 18 GA. galvanized steel at head and sill.
- JAMB SEALS:** Stainless Steel.
- FINISH:** Mill.
- ACTUATOR:** Non-motorized spring closure mechanism with 165°F fusible link.

OPTIONS

- 212°F fusible link
- Sleeve of various depths (18" minimum) and gauges
- Round or oval transitions
- Dual position indication package (see note #2)

NOTES


1. Nominal deductions will be made to the opening size given.
2. Optional auxiliary blade position indication switches are rated at 11A, 1/3HP, 125VAC. These snap action switches are intended to make or break a circuit and will not provide variable or proportional resistance.

DAMPER SIZES

Orientation	Horz & Vert	2000 fpm, 4 in.wg				4000 fpm, 4 in.wg	
		Horizontal (floor)		Vertical (wall)		Horizontal (floor)	Vertical (wall)
Panels	Min Panel	Max Single Panel	Max Assy Panel	Max Single Panel	Max Assy Panel	Max Single Panel	Max Single Panel
Rectangular	4"W x 4"H (8"W x 8"H frame)	30"W x 48"H 36"W x 30"H	60"W x 48"H	36"W x 48"H	126"W x 48"H	30"W x 48"H 36"W x 30"H	36"W x 48"H
Round	6" dia. (8"W x 8"H frame)	28" dia.	46" dia.	34" dia.	46" dia.	28" dia.	34" dia.
Oval	6"W x 6"H (8"W x 8"H frame)	28"W x 46"H 34"W x 28"H	58"W x 46"H	34"W x 46"H	124"W x 46"H	28"W x 46"H 34"W x 28"H	34"W x 46"H


UNDERWRITERS LABORATORIES INC.®

CLASSIFIED DYNAMIC FIRE DAMPER
FIRE RESISTANCE RATING 3 HR



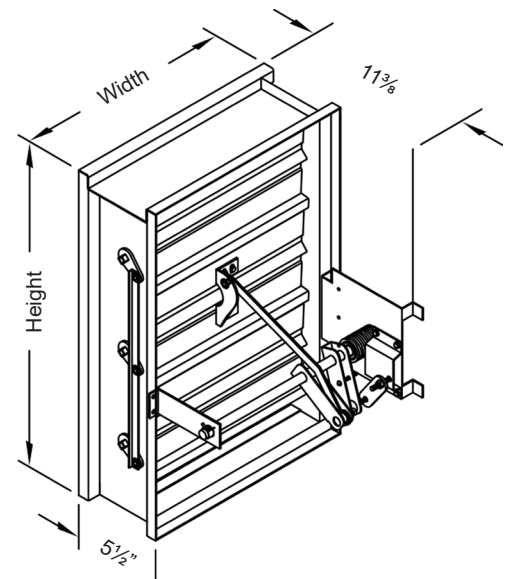
Dampers ▲ Louvers
UL Life Safety Products

FILE # R4708



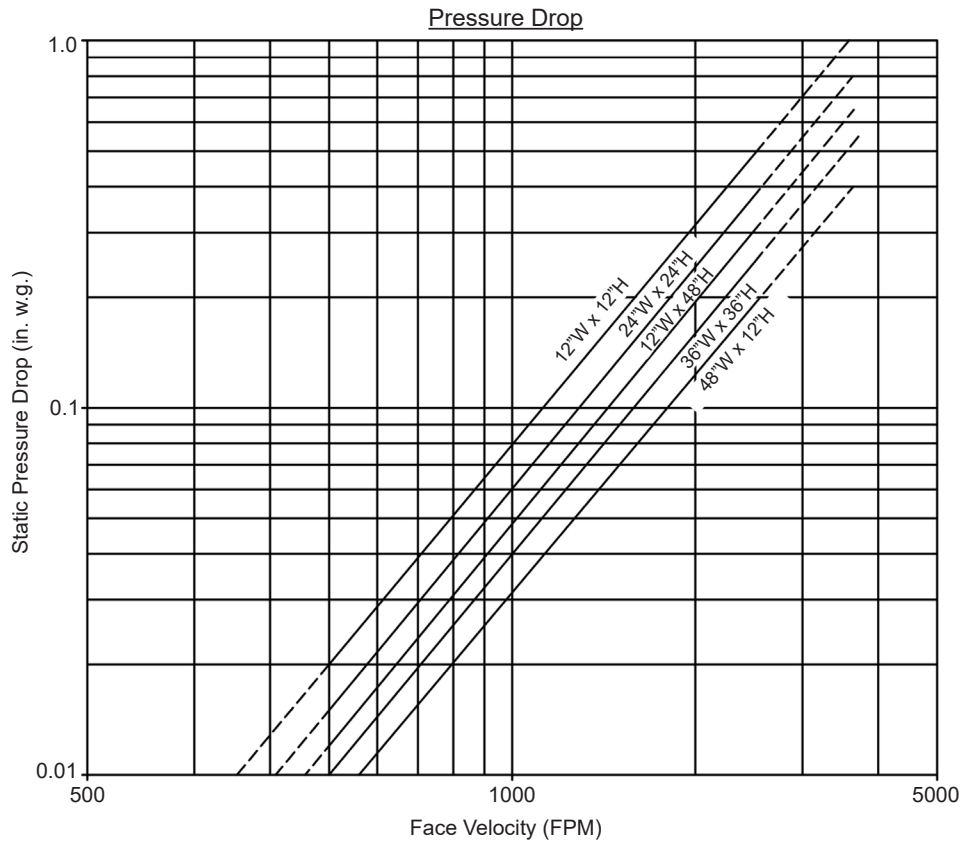
This fire damper meets the construction and performance requirements of:

- Underwriters Laboratories Inc. Standards 555
- National Fire Protection Association Standards 80, 90A, 101
- ICC's International Building Code
- Underwriters Laboratories Inc. Approved for dual direction airflow and dynamic conditions.
- Underwriters Laboratories Inc. Classified for use in fire resistive ratings of 3 hours or more.




Dynamic Fire Damper ▲ 3 Hr. Rated ▲ Single Thickness Blades ▲ Horizontal or Vertical Mount ▲ Non-Motorized ▲ Galvanized Steel

PERFORMANCE DATA



Typical Performance Curve
 Tested per AMCA Standard 500-D; Figure 5.3 (In-Duct Mount)
 Intake air converted to standard air density.

									
Item #	Qty	Damper Size	Horizontal	Vertical	165°F	212°F			
			Orientation		Fusible Link			Union Made	
Arch. / Eng.:				EDR:		ECN:		Job:	
Contractor:									
Project:				Date:		DWN:		DWG:	