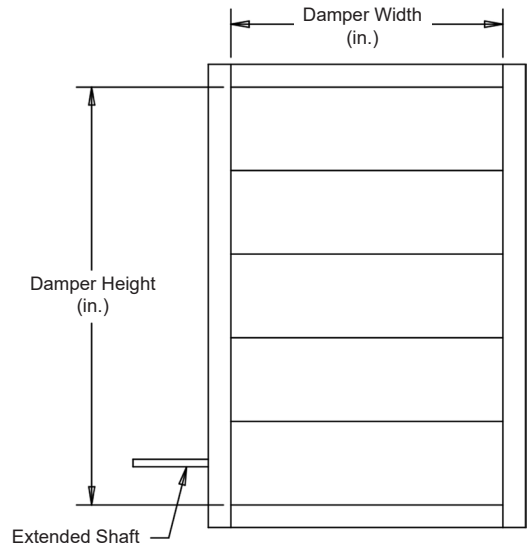


Industrial Damper ▲ 10" Deep ▲ Airfoil Blades ▲ Channel Frame ▲ Galvanized Steel ▲ 800°F Max Temperature

For use up to 15 in. w.g. static pressure

STANDARD MATERIALS AND CONSTRUCTION

- FRAME:** 2" x 10" x 2", 10 GA. hot rolled steel formed channel frame.
- BLADE:** 10 GA. galvanized steel, airfoil design, to a maximum 60" length.
- SHAFT:** 1" dia. plated cold-finished steel, corrosion resistant, for up to 48" in length. 1" dia. for up to 60" length.
- BEARINGS:** Stainless steel flanged sleeve, bolted to the frame.
- LINKAGE:** ½" dia. inter-connecting rod with trunnion pivot fasteners, located in jamb.
- OPERATOR:** Manual hand quadrant or lever arm for motor actuator. Specify type when ordering.
- FINISH:** Mill.
- TEMP. LIMIT:** 800°F
Consult the factory for temperature limits over 800°F.



OPTIONS

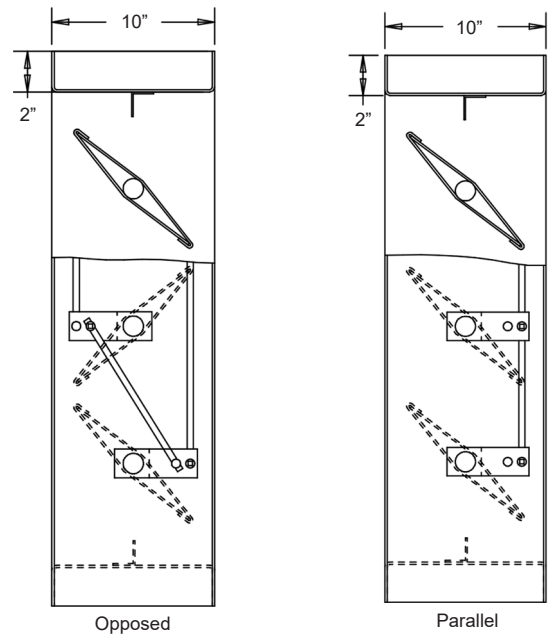
- Stuffing boxes and replaceable packing
- Jamb Seals - Stainless steel
- Blade Edge Seals - Stainless steel
- Flanges other than the standard 2" wide
- Finishes - Acrylic, baked enamel, etc.
- Perimeter holes: one flange or two flanges
- Other types of bearings
- Materials - Corten available

NOTES

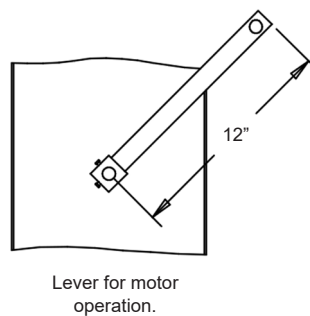
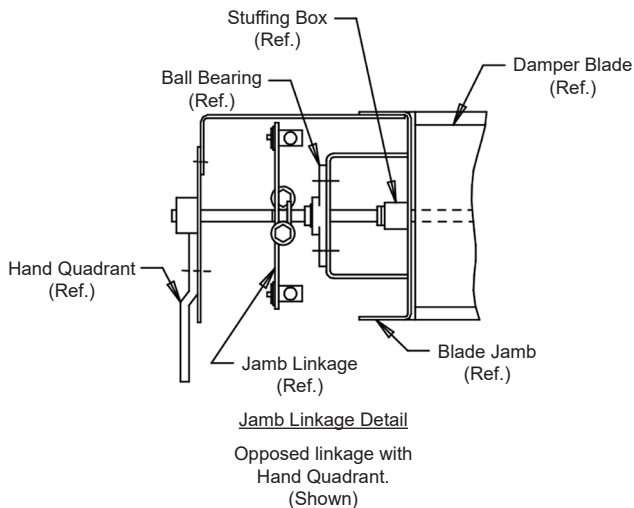
1. ¼" nominal deduction will be made to the opening size given.
2. Construction may be with other materials when required to meet special conditions, such as: temperature, pressure, velocity, system environment, or other specifications.
3. This damper is not available in stainless steel.
4. Approximate shipping weight is 18 lbs./sq.ft.

DAMPER SIZES

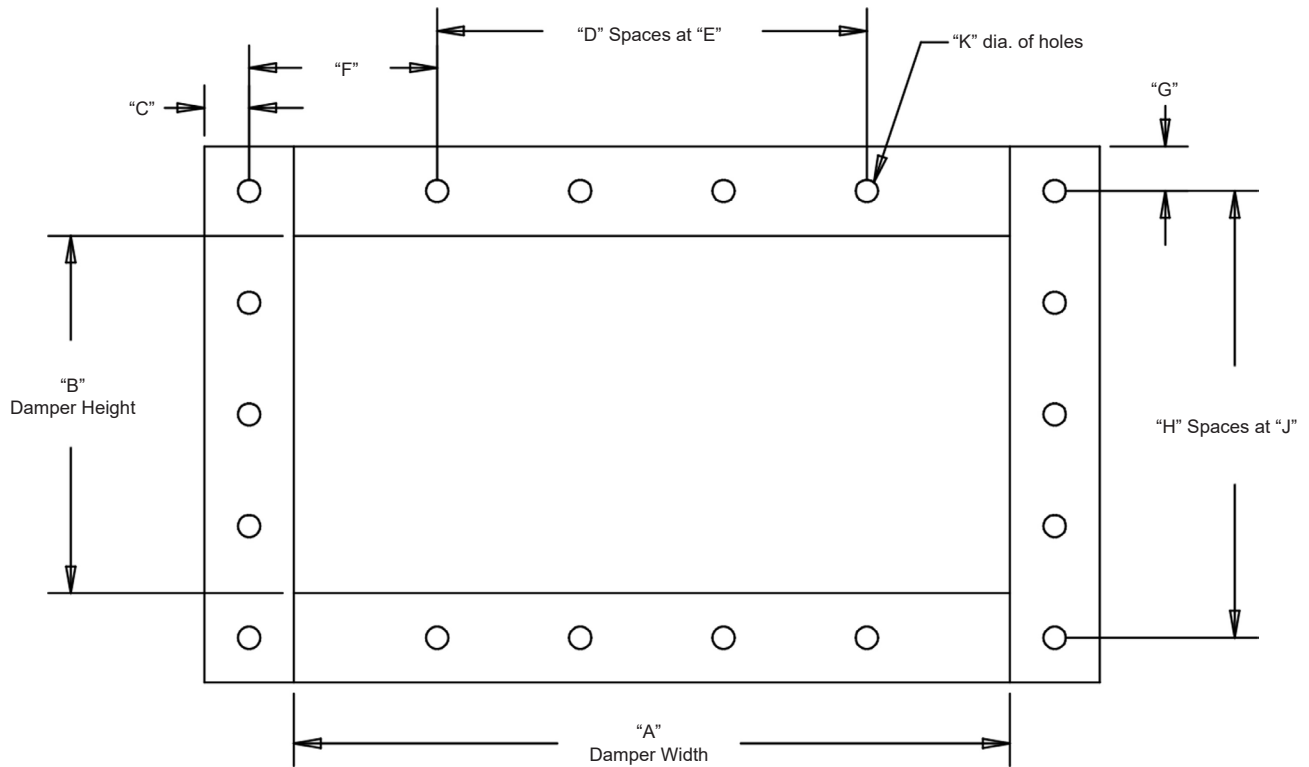
Min. Size	Max. Size
6"W x 6"H (Single Blade)	60"W x 96"H
6"W x 12"H (Opposed)	



Not to scale.



Industrial Damper ▲ 10" Deep ▲ Airfoil Blades ▲ Channel Frame ▲ Galvanized Steel ▲ 800°F Max Temperature



Item #	Qty	"A" Width	"B" Height	"C"	"D"	"E"	"F"	"G"	"H"	"J"	"K"	"M"	Para	Oppo	Hand Quad	Motor Lever Arm		
		Damper Size		Damper Specifics									Blade Position		Actuator		Union Made	
Arch. / Eng.:						EDR:						ECN:				Job:		
Contractor:																		
Project:						Date:						DWN:				DWG:		