

FEMA 361 Louver ▲ 8" Deep ▲ Inverted V Blades ▲ Stationary ▲ Steel

STANDARD MATERIALS AND CONSTRUCTION

- FRAME:** ¼" hot rolled steel.
- BLADE:** ¼" structural steel angle.
- FRAME DEPTH:** 8" deep.
- SCREEN:** ½" x 0.051" expanded steel - located on interior.
- FREE AREA:** 53% - 8.47 sq. ft. (48" x 48" Louver)
- PSF RATING:** 332.5 PSF Design Load
- TEST METHODS:** ICC 500, FEMA 361, ASTM E 330, ASTM E 1886

AVAILABLE FINISHES: Mill, Kynar (Below 15 sq.ft.), Acrylic (Over 15 sq.ft.)

TEST METHODS

ICC 500-2008, Standard for the Design and Construction of Storm Shelters.

FEMA 361 3rd Edition, Section B8 Test Methods for Impact and Pressure Testing.

ASTM E 330-02, Test Method for Structural Performance of Windows, Curtain Walls and Doors by Uniform Static Air Pressure Difference.

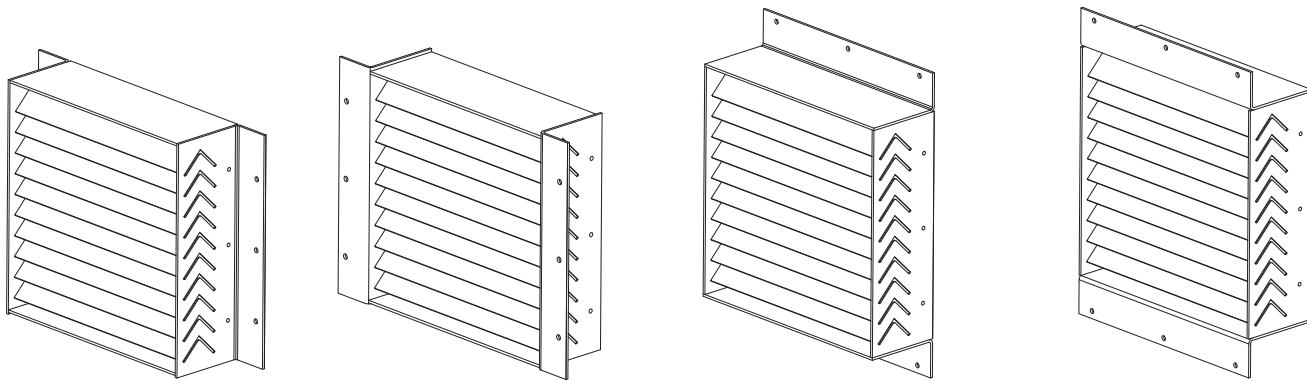
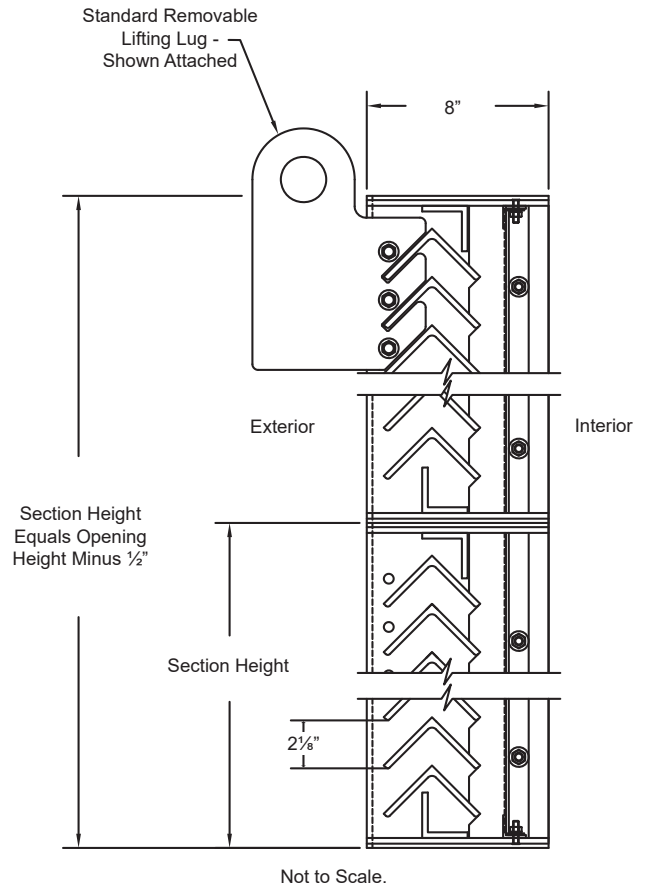
ASTM E 1886-05, Standard Test Method for Performance of Exterior Windows, Curtain Walls, Doors, and Impact Protective Systems Impacted by Missile and Exposed to Cyclic Pressure Differentials.

NOTES

1. ½" nominal deduction will be made to the opening size given.
2. Approximate shipping weight is 40.0 lbs./sq.ft.

LOUVER SIZES

Min Panel	Max Single Panel
12"W x 12"H	96"W x 76"H (Continuous Wide) 76"W x 120"H (Continuous High)



Cantilevered Mount
Flange at Jamb

Recessed Mount
Flange at Jamb

Cantilevered Mount
Flange at Head & Sill

Recessed Mount
Flange at Head & Sill

Item #	Qty	Opening Size		Louver Size		Mullion	Screens		Union Made
		Width	Height	Width	Height		Type	Location	
Arch. / Eng. :						EDR:	ECN:		Job:
Contractor:									
Project:						Date:	DWN:	DWG:	



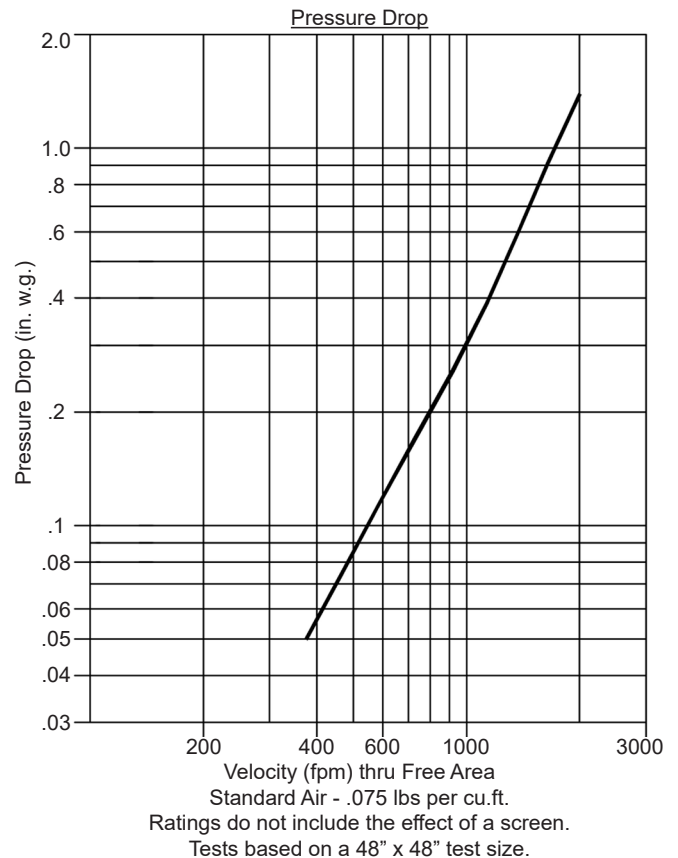
PERFORMANCE DATA

		Free Area sq.ft. (sq.m.)								
		Width in. (mm)								
		12" (305)	24" (610)	36" (914)	48" (1219)	60" (1524)	72" (1829)	76" (1930)	84" (2134)	96" (2438)
Height in. (mm)	12" (305)	0.36 (0.034)	0.91 (0.084)	1.47 (0.137)	2.02 (0.187)	2.56 (0.283)	3.13 (0.290)	3.31 (0.307)	3.67 (0.341)	4.22 (0.392)
	24" (610)	0.75 (0.070)	1.88 (0.174)	3.04 (0.283)	4.17 (0.387)	5.29 (0.492)	6.46 (0.600)	6.83 (0.635)	7.58 (0.704)	8.71 (0.809)
	36" (914)	1.14 (0.106)	2.84 (0.264)	4.61 (0.428)	6.32 (0.587)	8.02 (0.745)	9.79 (0.910)	10.36 (0.963)	11.50 (1.068)	13.21 (1.227)
	48" (1219)	1.53 (0.142)	3.81 (0.354)	6.18 (0.574)	8.47 (0.787)	10.76 (0.999)	13.13 (1.219)	13.89 (1.290)	15.41 (1.432)	17.71 (1.645)
	60" (1524)	1.91 (0.178)	4.78 (0.444)	7.75 (0.720)	10.62 (0.987)	13.49 (1.253)	16.46 (1.529)	17.42 (1.618)	19.33 (1.795)	22.21 (2.063)
	72" (1829)	2.30 (0.214)	5.75 (0.534)	9.32 (0.866)	12.77 (1.186)	16.22 (1.507)	19.79 (1.839)	20.94 (1.946)	23.24 (2.159)	26.70 (2.481)
	76" (1930)	2.43 (0.226)	6.07 (0.564)	9.85 (0.915)	13.49 (1.253)	17.13 (1.591)	20.90 (1.942)	22.12 (2.055)	27.15 (2.522)	31.20 (2.898)
	84" (2134)	2.69 (0.250)	6.72 (0.624)	10.89 (1.012)	14.92 (1.386)	18.95 (1.760)	23.13 (2.148)	24.47 (2.273)	31.07 (2.886)	31.20 (2.898)
	96" (2438)	3.08 (0.286)	7.69 (0.714)	12.46 (1.158)	17.07 (1.586)	21.68 (2.014)	26.46 (2.458)	28.00 (2.601)	34.89 (3.250)	35.70 (3.316)
	108" (2743)	3.46 (0.322)	8.65 (0.804)	14.03 (1.303)	19.22 (1.786)	24.41 (2.268)	29.79 (2.767)	31.53 (2.929)		
	120" (3048)	3.85 (0.358)	9.62 (0.894)	15.60 (1.449)	21.37 (1.986)	27.15 (2.522)	33.13 (3.077)	35.05 (3.256)		

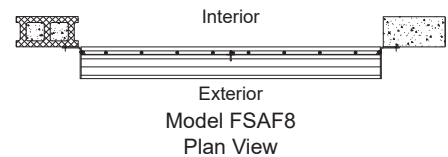
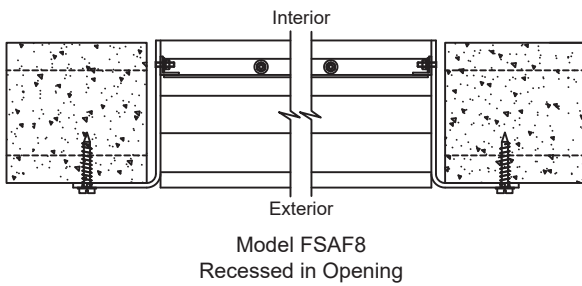
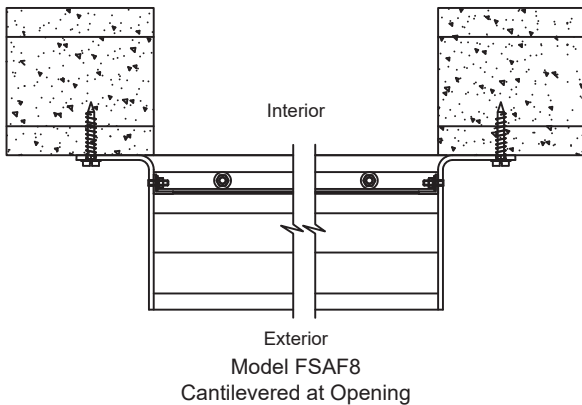
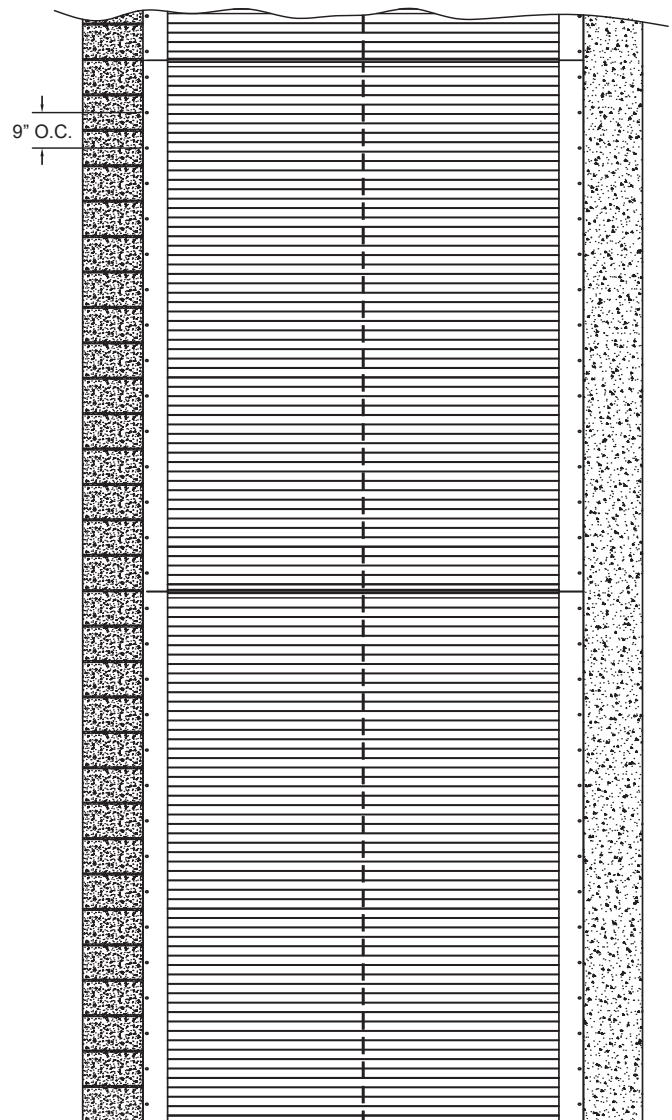
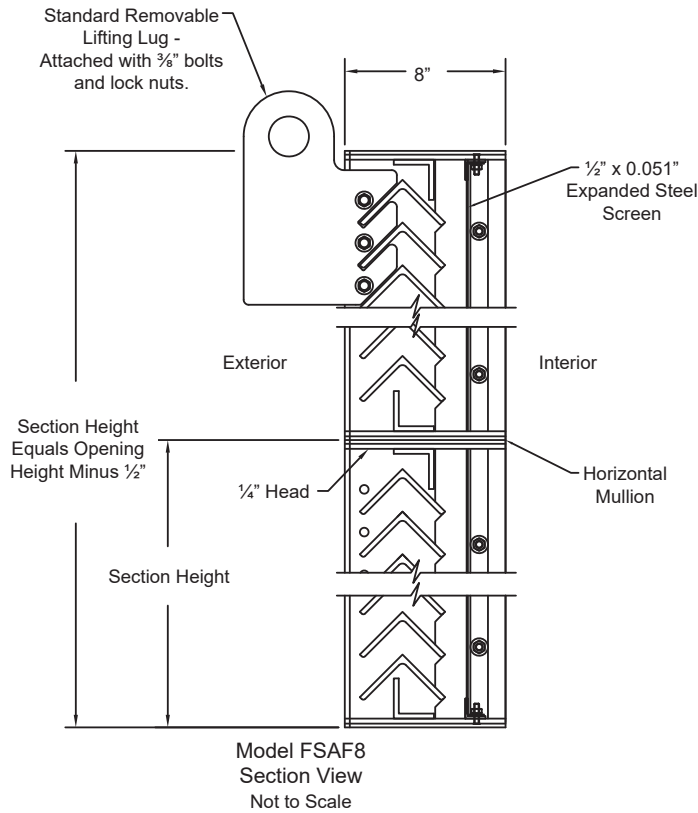
Fastener Schedule

Anchor Type	Substrate	Minimum Embedment	Minimum Edge Dist.
(1) 1/2" x 3" Red Head LDT	CMU	2 1/2"	3 1/4"
(1) 1/2" x 3" Red Head LDT	Concrete	2 1/2"	3 1/4"
(2) 2" x 1/2" Grade 5 Bolt	Steel	Full	3/4"

- (1) Concrete screws shall be Red Head LDT Zinc Coated Concrete Screws.
- (2) Bolts shall be a minimum Grade 5.



LOUVER MOUNTING DETAILS



LOUVER MOUNTING DETAILS

