

STANDARD MATERIALS AND CONSTRUCTION

Formed Aluminum Equipment Support

SHELL &

BASEPLATE: .063" thick (nominal) aluminum alloy 3003-H14. All seams are fully welded and sprayed with protective coating.

INSULATION: 1" semi-rigid fiberglass.

CANT: Mitered 3" x 3" integral cant.

REINFORCEMENTS: On 12" centers.

NAILER: Varies by width, factory installed.

FINISH: Mill.

Formed Steel Curb Equipment Support

SHELL &

BASEPLATE: 18 GA. galvanized steel. All seams are fully welded and sprayed with protective coating.

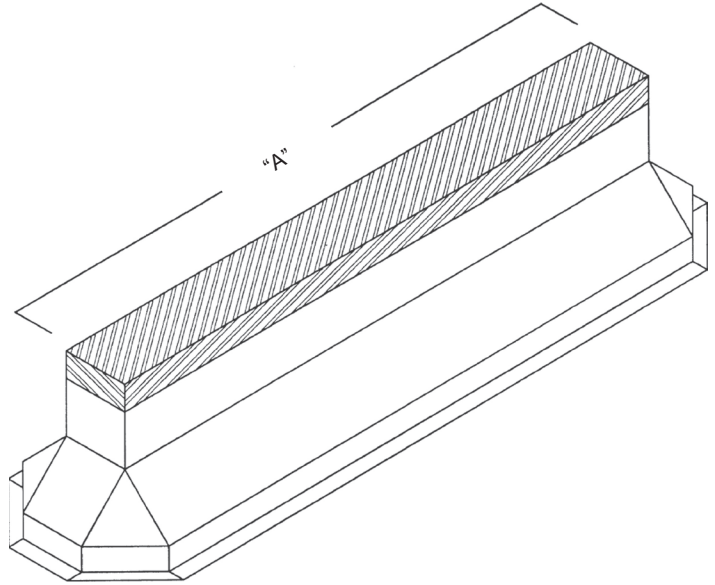
INSULATION: 1" semi-rigid fiberglass.

CANT: Mitered 3" x 3" integral cant.

REINFORCEMENTS: On 12" centers.

NAILER: Varies by width, factory installed.

FINISH: Mill.



OPTIONS

Aluminum Material - Available in .081" - .125" thick 3003-H14 alloy

Steel Material - Available in various gauges of galvanized, galvanneal or stainless

Pitched or Peaked - In conjunction with the overall dimensions, both the height rise, specified in linear inches per foot (ex: 3" in 12") and the direction of the pitch must be specified.

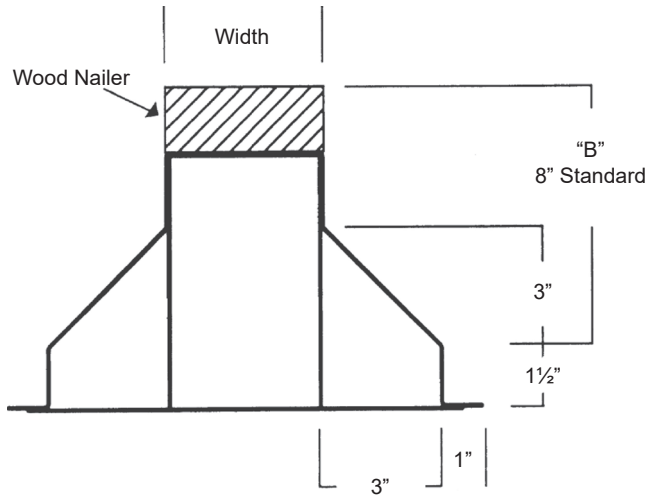
Counterflashing - A removable metal cap fabricated of the same material as the equipment support provides for an effective method of attaching roofing felts.

Gasket - 1/4" thick polyurethane foam gasket can be installed, lining the entire top perimeter. Gasket can be used in place of, or in addition to a wood nailer.

Finishes - A wide selection of finishes include baked enamel, epoxy, or prime coat. Aluminum curb finishes include Kynar, clear or color anodize.


NOTES

1. "A" and "B" are opening dimensions.
2. If height or width exceed 90", multi-section construction may be required.



EQUIPMENT SUPPORT WIDTH

Nominal Width	Actual Nailer Width
4"	3 1/2"
6"	5 1/2"
8"	7 1/2"
10"	9 1/2"
12"	11 1/2"

Item #	Qty	"A"	"B"	Width	Aluminum	Steel	Height Rise	Direction	
Arch. / Eng.:				EDR:	ECN:		Job:		
Contractor:									
Project:				Date:	DWN:		DWG:		