

STANDARD MATERIALS AND CONSTRUCTION

Formed Aluminum Curb

SHELL &

BASEPLATE: .063" thick (nominal) aluminum alloy 3003-H14. All seams are fully welded and sprayed with protective coating.

INSULATION: 1" semi-rigid fiberglass.

NAILER: Nominal 2" x 2" wood nailer for equipment mounting is mechanically fastened to upper curb perimeter.

FINISH: Mill.

Formed Steel Curb

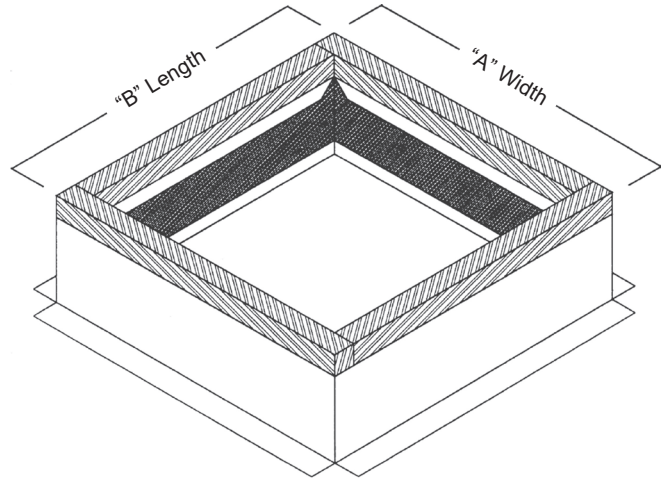
SHELL &

BASEPLATE: 18 GA. galvanized steel. All seams are fully welded and sprayed with protective coating.

INSULATION: 1" semi-rigid fiberglass.

NAILER: Nominal 2" x 2" wood nailer for equipment mounting is mechanically fastened to upper curb perimeter.

FINISH: Mill.



OPTIONS

Aluminum Material - Available in .081" - .125" thick 3003-H14 alloy

Steel Material - Available in various gauges of galvanized, galvanneal or stainless.

Pitched or Peaked - In conjunction with the overall dimensions, both the height rise, specified in linear inches per foot (ex: 3" in 12") and the direction of the pitch must be specified.

Liners - Used for retention of insulation or as support to strengthen large units that will support a heavy load. Liners are manufactured as an integral part of the product to add maximum structural support.

Platform Cap - A 3/4" plywood top with a metal cap fabricated of the same material as the product.

Gasket - 1/4" thick polyurethane foam gasket can be installed, lining the entire top perimeter. Gasket can be used in place of, or in addition to a wood nailer.

Insulation - Available with 2" semi-rigid insulation.

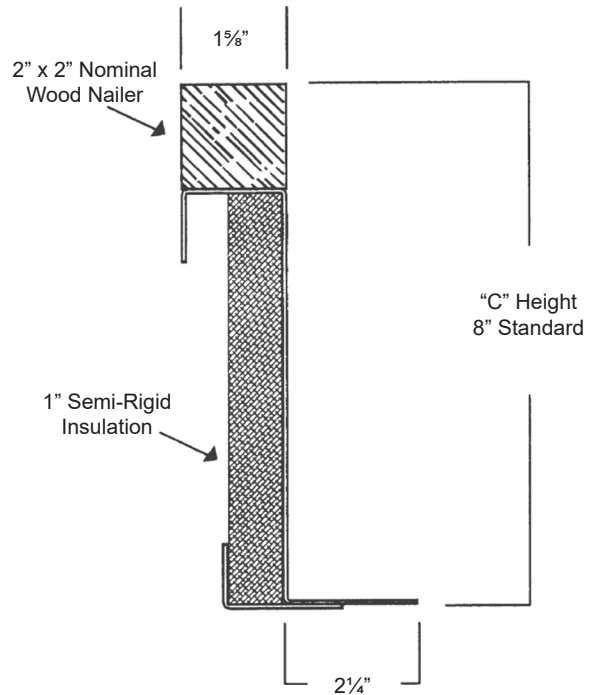
Access Panels - To provide a passageway to internal equipment, an access opening is cut and lined with a protective vinyl edge seal and the cover panel is mechanically fastened over the opening. Minimum height restrictions apply.

Louvered Vents - Provides airflow through the curb. Units are available with 6"W x 7/8"H louvered vents, with 4 per side. Minimum height restrictions apply.

Damper Rack - The rack is located in the bottom of the curb and a damper is then mounted on top of the rack. Damper and/or rack flange dimensions must be specified.


Security Bars - Selections of bar diameters, frame styles, and spacing are available.

Finishes - A wide selection of finishes include baked enamel, epoxy, or prime coat. Aluminum curb finishes include Kynar, clear or color anodize.



NOTES

1. "A" width, "B" length and "C" height are opening dimensions.
2. If height or width exceed 90", multi-section construction may be required.

Item #	Qty	Width	Length	Height	Aluminum	Steel	Height Rise	Direction	
		Opening Dimensions			Material	Pitch / Peak	Union Made		
Arch. / Eng.:				EDR:	ECN:		Job:		
Contractor:									
Project:				Date:	DWN:		DWG:		