

STANDARD MATERIALS AND CONSTRUCTION

- FRAME:** .125" thick (nominal) extruded aluminum.
- BLADE:** .125" thick (nominal) extruded aluminum.
- SCREEN:** 18/16 Mesh, .011" dia. aluminum wire, insect screen.
- FINISH:** Clear anodized finish is standard.

OPTIONS

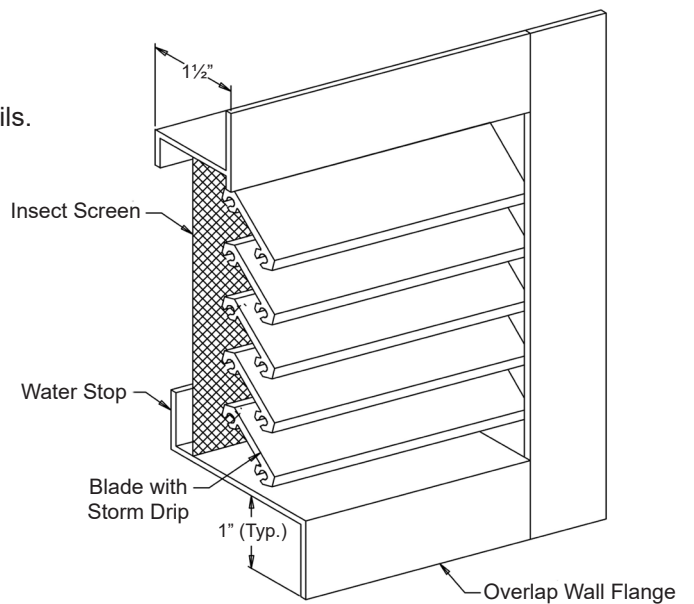
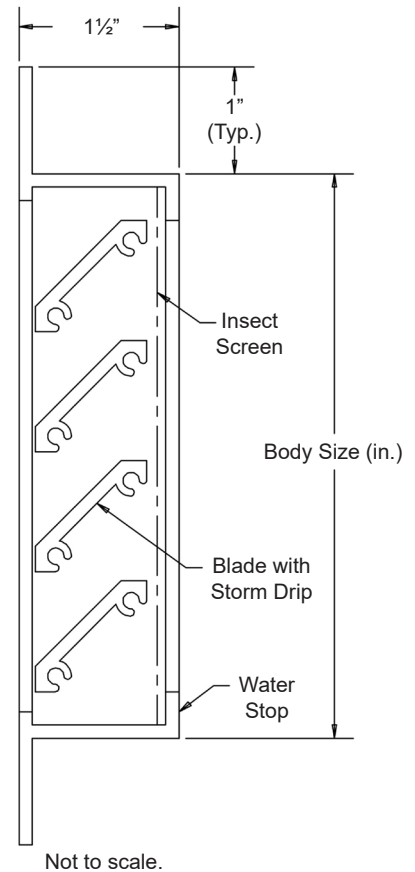
Finish - Baked Enamel, Kynar, Anodize

NOTES

1. ½" nominal deduction will be made to the opening size given unless otherwise stated.
2. Many stock sizes are available for immediate shipment. Brick vents are also available in practically any width or height.

Body Size	Minimum Opening Size	Free Area (Sq. In.)
8 1/8" x 2 3/8"	8 1/2" x 2 5/8"	4.18
8 1/8" x 4 3/4"	8 1/2" x 5"	11.52
8 1/8" x 7 3/4"	8 1/2" x 8"	19.58
16 1/2" x 2 3/8"	17" x 2 5/8"	8.64
16 1/2" x 4 3/4"	17" x 5"	28.22
16 1/2" x 7 3/4"	17" x 8"	40.32
12" x 2 3/8"	12 1/2" x 2 5/8"	6.34
12" x 4 3/4"	12 1/2" x 5"	17.28
24" x 4 3/4"	24 1/2" x 5"	39.02
24" x 7 3/4"	24 1/2" x 8"	58.75

For custom size Brick Vents, contact customer service for details.



Flanged Brick Vents

Brick Vent ▲ 1½" Deep ▲ 45° Straight Blades ▲ Stationary ▲ Flanged Frame ▲ Extruded Aluminum

Item	Qty	Opening Size		Finish	Tagging	Net Each	Total
		Width ("A")	Height ("B")				