

**STANDARD MATERIALS AND CONSTRUCTION**

**LOUVER:** Frame and blade are .081" thk. (nominal) extruded aluminum 6063-T52/T6 alloy, w/ post corner construction.

**SCREEN:** (When indicated, in a removable frame)

½" Flattened Aluminum, .051" thk.,

-or- Insect screen 19/16 aluminum mesh, .011" dia.,

-or- ½" sq. mesh intermediate double crimped aluminum wire, .063" dia.

**FINISH:** Varies.

**SIZE:** 38" x 38" x 18", sits on a curb 24" or 36" high.

**CURB:** 12 GA. Galvanneal, galvanized steel or .125" thk. (nominal) aluminum w/ 4" mounting flange, welded construction.

**ROOF:** .060" thk. (nominal) formed aluminum with ½" thk. rigid insulation.

**POST CORNERS:** .081" thk. (nominal) formed aluminum.

**GLASS:** ⅜" thk. (nominal) annealed glass.

**ROOF OPENING:** 28" x 28" minimum, 38" x 38" maximum.

**LOUVER DETAILS**

**MODEL:** A465 (Air Balance)

**SIZE:** 30" x 18" (4) four required.

**FREE AREA:** 6.54 sq. ft. Total.

**DAMPER DETAILS**

**MODEL:** AC525 (Air Balance)

**ACTUATOR:** Internally mounted, Electric.

**SIZE:** 26" x 26" O.D. (nominal)

**CORE AREA:** 3.75 sq. ft.

**MODEL:** A395 (Air Balance)

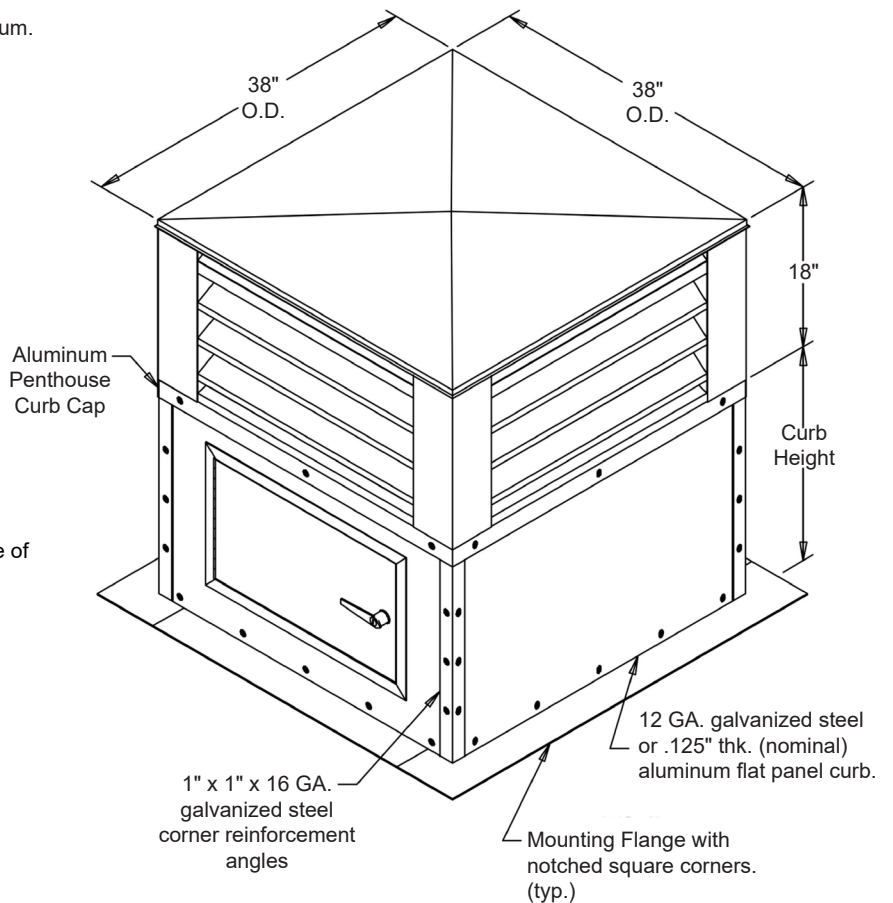
**SIZE:** 26" x 26" O.D. (nominal)


**ACTUATOR:** Internally mounted, Electric.

**CORE AREA:** 4.08 sq. ft.

**OPTIONS**

- Hinged louver with hasp or surface mount latch in place of access door in curb.
- Drainable blade louver (Model A435). (Air Balance)



									 <b>Union Made</b>
Item #	Qty	Width	Height	Curb Height	Glass Access	Hinged Access	Tagging		
		Roof Opening					EDR:	ECN:	Job:
<b>Arch. / Eng. :</b>				<b>EDR:</b>		<b>ECN:</b>		<b>Job:</b>	
<b>Contractor:</b>									
<b>Project:</b>				<b>Date:</b>		<b>DWN:</b>		<b>DWG:</b>	

## PENTHOUSE OPTIONAL CONSTRUCTION

