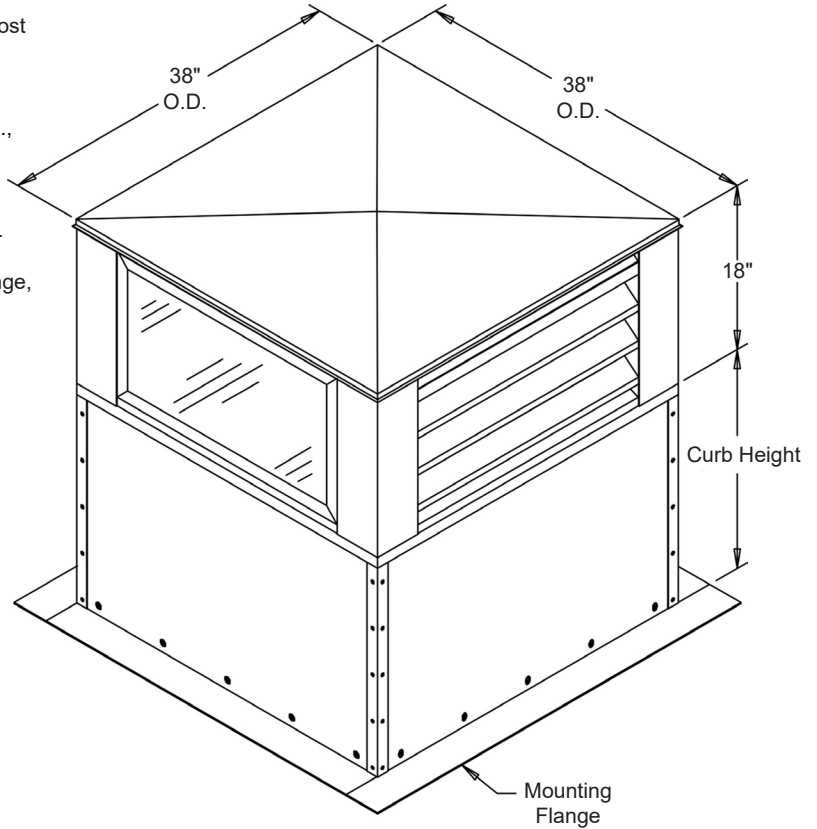


STANDARD MATERIALS AND CONSTRUCTION

- LOUVER:** Frame and blade are .081" thk. (nominal) extruded aluminum 6063-T52/T6 alloy, w/ post corner construction.
- SCREEN:** (When indicated, in a removable frame) ½" flattened aluminum, .051" thk.,
 -or- Insect screen 19/16 aluminum mesh, .011" dia.,
 -or- ½" sq. mesh intermediate double crimped aluminum wire, .063" dia.
- FINISH:** Varies.
SIZE: 38" x 38" x 18", sits on a curb 12" - 36" high.
- CURB:** 12 GA. Galvanneal, galvanized steel or ½" thk. (nominal) aluminum w/ 4" mounting flange, welded construction.
- ROOF:** .060" thk. (nominal) formed aluminum with ½" thk. (nominal) rigid insulation.
- POST CORNER:** .081" thk. (nominal) formed aluminum.
- GLASS:** ⅛" thk. (nominal) annealed glass.
- ROOF OPENING:** 28" x 28" minimum, 38" x 38" maximum.



LOUVER DETAILS

- MODEL:** A465 (Air Balance)
- SIZE:** 30" x 18" (3) three required.
- FREE AREA:** 4.905 sq. ft. Total.

DAMPER DETAILS


- MODEL:** S1H Class I - 250° Smoke Damper (Air Balance)
- SIZE:** 26" x 26" O.D. (nominal)
- ACTUATOR:** Internally mounted power close spring open (fail open) 120 VAC actuator w/ open/closed indicator.
- CORE AREA:** 4.38 sq. ft.

OPTIONS

- Access door in curb, by others.
- Hinged louver with hasp or surface mount latch in penthouse.

NOTES

1. Actuator access door in ductwork supplied and installed by others.

										
Item #	Qty	Width	Height	Curb Height	Glass Access	Hinged Access	Tagging		Union Made	
		Roof Opening								
Arch. / Eng. :				EDR:		ECN:		Job:		
Contractor:										
Project:				Date:		DWN:		DWG:		

PENTHOUSE OPTIONAL CONSTRUCTION

