

STANDARD MATERIALS AND CONSTRUCTION

- FRAME:** 16 GA. galvanized steel hat-shaped channel, 4" deep.
- BLADE:** 18 GA. galvanized steel double thickness, 1" thick with styrofoam insulation sandwiched between metal skins, mechanically fastened together. Blades are approximately 6" on centers.
- AXLES:** ½" dia. Cadmium plated steel stub.
- BEARINGS:** Oilite Bronze.
- LINKAGE:** Pivots are .050" dia. steel, Cadmium plated and Chromate treated. A ¼ - 20 set screw with locking patch locks the pivots to a .312" dia. aluminum rod. Pivots rotate in a celcon bearing. Blade linkages are individually adjusted at the factory for maximum shutoff.
- SEALS:** Polyurethane for blade and jamb.
- DRIVE SHAFT:** ½" dia. cadmium plated steel, permanently extended 6" beyond frame for external drive. A blade clip will be provided for internal drive.
- FINISH:** Mill.

OPTIONS

- Flanged Frames
- Wider Frames - over 4" deep
- Blades and Frames of other gauges and materials
- Finishes - Enamel, Epoxy, etc.
- Seals - Stainless steel for jambs only

NOTES

1. ¼" nominal deduction will be made to the opening size given.
2. This damper is only available with a parallel blade configuration.
3. Approximate shipping weight is 7.0 lbs per sq.ft.

DAMPER SIZES

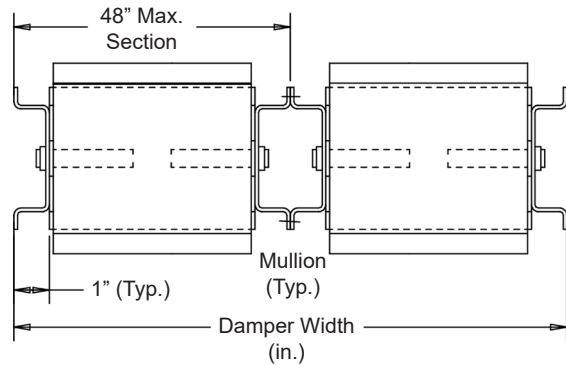
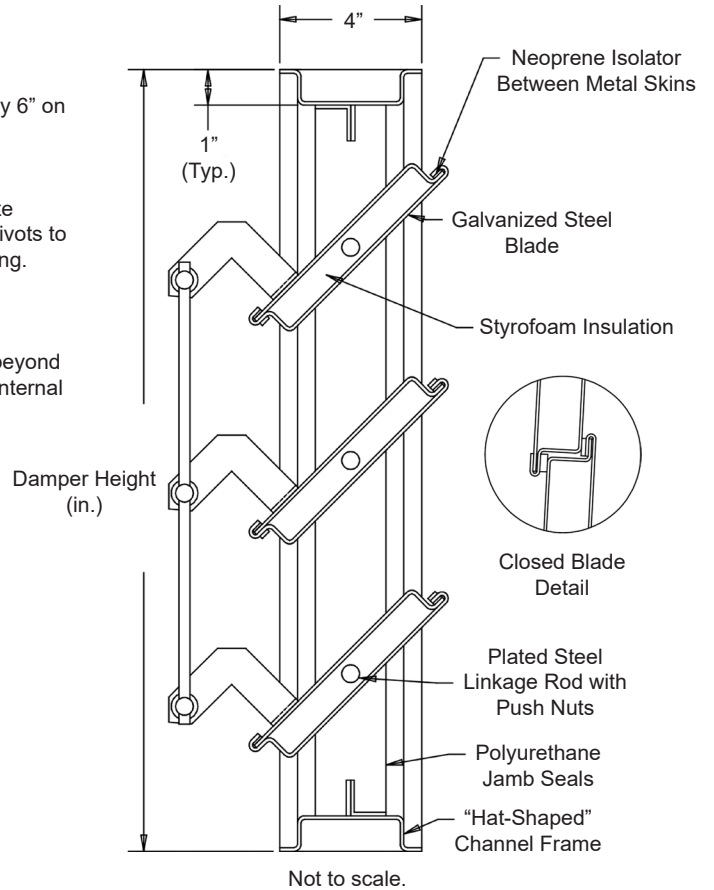
Min Panel	Max Single Panel
10"W x 8¾"H	48"W x 72"H

INSULATING FACTORS

For above construction

- R-Value = 4
- U-Factor = .25 BTU per hour per square foot per °F

The above values are based on calculations considering the face area of the damper only. This does not include the frames. Insulation of the damper frame shall be by others.



Item #	Qty	Width	Height	Width	Height	
		Opening Size		Damper Size		
Arch. / Eng.:						
Contractor:						
Project:						
EDR:		ECN:		Job:		
Date:		DWN:		DWG:		



Dampers ▲ Louvers
UL Life Safety Products
Division of Mestek
Member of AMCA

airbalance.com

In the interest of product development, Air Balance reserves the right to make changes without notice.
450 Riverside Dr • Wyalusing PA, 18853 • Phone 570-746-1888 • Fax 570-746-9286