

STANDARD MATERIALS AND CONSTRUCTION

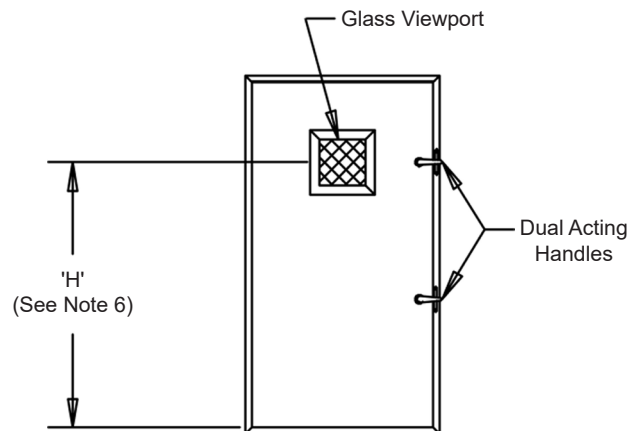
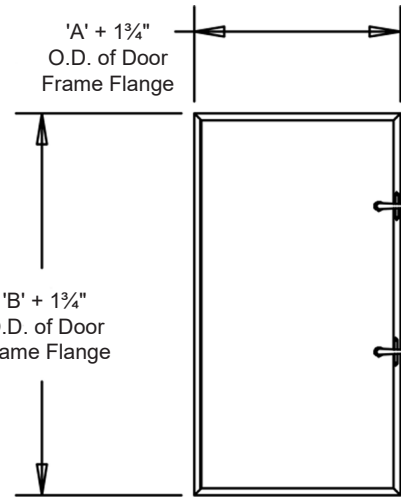
- FLANGED FRAME:** .081 thk. (nominal) extruded aluminum, 6063-T52/T6 alloy.
- DOOR FRAME:** .081 thk. (nominal) extruded aluminum, 6063-T52/T6 alloy.
- DOOR PANELS:** 20 GA. galvanized steel.
- INSULATION:** 2.25 lb. density polyurethane foam.
- HANDLES:** #310 dual-acting die cast zinc.
- GASKET:** Continuous length extruded foam santoprene.
- HINGE:** Stainless steel continuous type.
- VIEWPORT GLASS:** Single pane, 1/4" wire; 9" x 9" standard.
- FINISH:** Mill.

OPTIONS

- Door panel material: bonderized steel, stainless steel, aluminum
- Viewport glass size: 9" x 9" or 12" x 12"
- Single pane 1/4" wire or plexiglass
- Double pane 1/4" wire
- Thermal pane 1/4" wire
- Handles - Chrome plated
- Finishes - Baked Enamel, Baked Epoxy, or Prime Coat

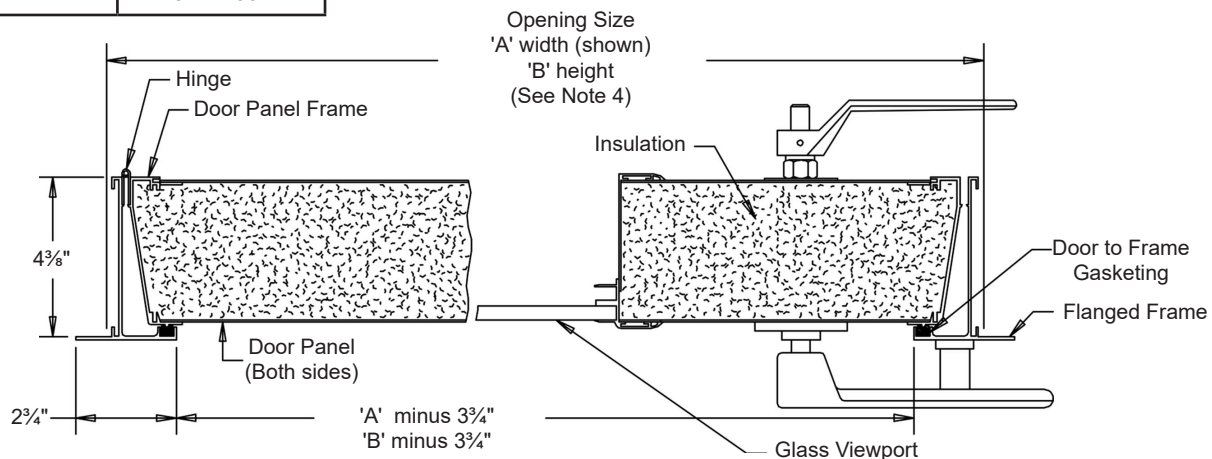
NOTES

1. Hinge always furnished on "B" height dimension.
2. (G) designates doors with glass viewports. Specify (L/H) left hand or (R/H) right hand hinge when viewing from the outside.
3. 9" x 9" glass viewport not available on units under 25" in width using a #310 handle, or 19" in width when using an optional Austin-Romtech handle. 12" x 12" viewports are not available on units under 28" in width using a #310 handle, or 22" in width using an optional Austin-Romtech handle. For door sizes less than the minimum shown, please consult the factory.
4. Unless otherwise specified, door will be fabricated 1/4" under listed size. Dimensional tolerance is ± .075.
5. Please refer to installation instructions for mounting of handles, and door assembly mounting.
6. Unless otherwise specified, standard viewport locations are as follows:
 'H' = 'B' - 11" (±1") when 'B' is 20" to 60"
 'H' = 48" (±1") when 'B' is greater than 60"
 (When specifying non-standard viewport locations, 'H' cannot be greater than 'B' - 11".)
7. Door width cannot exceed two times door height.
8. In-swing doors are recommended for positive pressures. Out-swing doors are recommended for negative pressures.

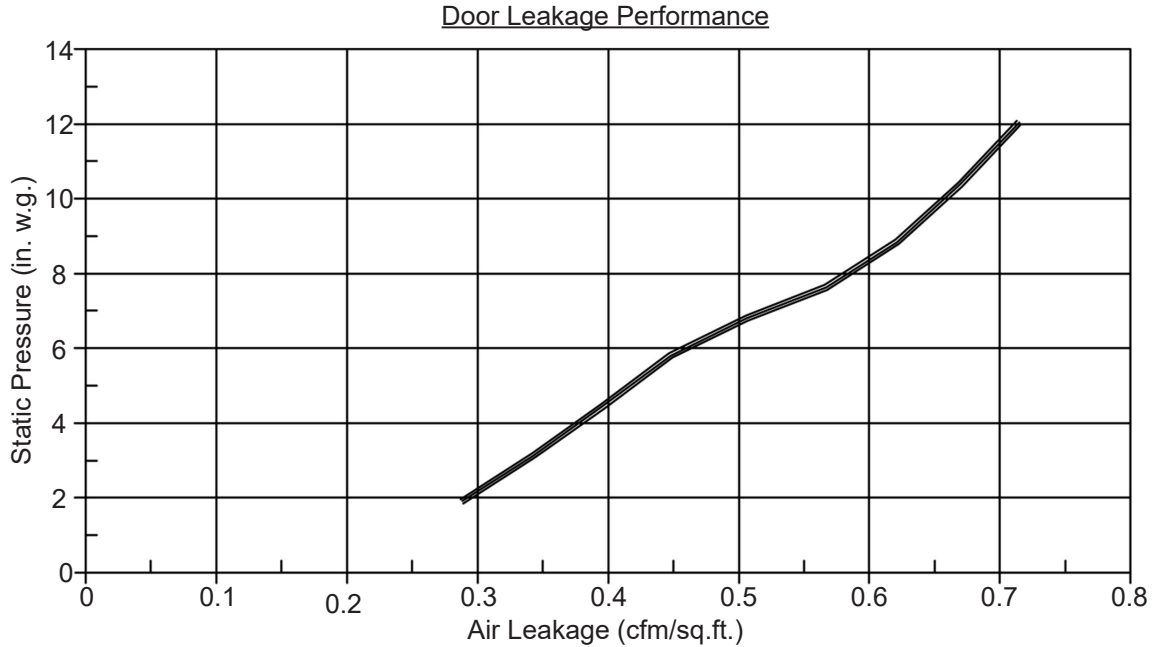


DOOR SIZES

Min Size	Max Size
12"W x 12"H	48"W x 96"H



DOOR LEAKAGE DATA



Model AHF-10 and AHF-20 Water Leakage Performance

Water leakage results are based upon testing per ASTM E 331-86 "Water Penetration of Exterior Windows, Curtain Walls, and Door by a Uniform Static Air Pressure Difference". The tests consisted of mounted doors under a pressure difference of 2 in. w.g. and subjecting them to a uniform water spray for 15 minutes. The spray was equivalent to a torrential rainfall rate of 8 in./hr. Over the 15 minute period, the Model AHF-10 and AHF-20 (24"x60") doors allowed approximately 0.4 gallons of water penetration (3.5 fl oz./min.).

Item #	Qty	Left Hand	Right Hand	"A" Width	"B" Height	"H" (When Required)	Union Made
		Door Hinge		Opening Size		Non-Standard Viewport Location**	
Arch. / Eng.:		EDR:			ECN:	Job:	
Contractor:							
Project:		Date:			DWN:	DWG:	

** See Note 5 on Page 1 for details.