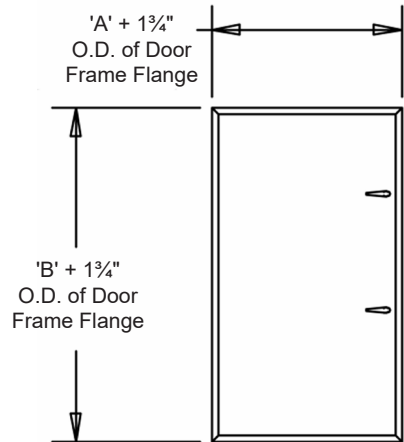


STANDARD MATERIALS AND CONSTRUCTION

- FLANGED FRAME:** .080" thick (nominal) 6063-T52/T6 extruded aluminum.
- DOOR FRAME:** .080" thick (nominal) 6063-T52/T6 extruded aluminum.
- DOOR PANELS:** 20 GA. galvanized steel.
- INSULATION:** 2.25 lb. density polyurethane foam.
- HANDLES:** Dual-acting die cast zinc.
- GASKET:** Continuous length extruded foamed santoprene.
- HINGE:** Stainless steel continuous type.
- VIEWPORT GLASS:** Single pane, ¼" wire; 9" x 9" standard.
- FINISH:** Mill.

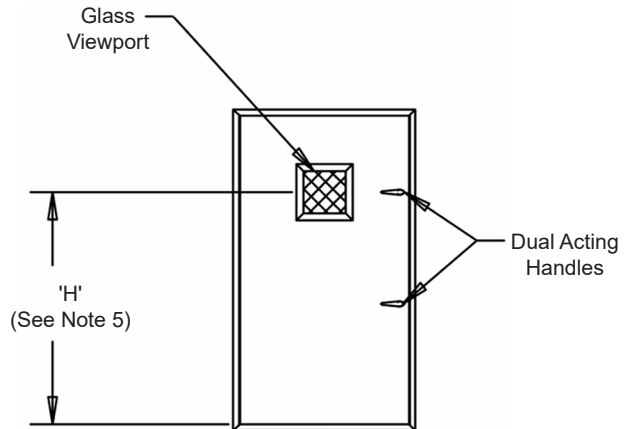


OPTIONS

- Door panel material: bonderized steel, stainless steel, aluminum
- Viewport glass size: 9" x 9" or 12" x 12"
- Single pane ¼" wire or plexiglass
- Double pane ¼" wire
- Thermal pane ¼" wire
- Finishes - Baked Enamel, Baked Epoxy, or Prime Coat

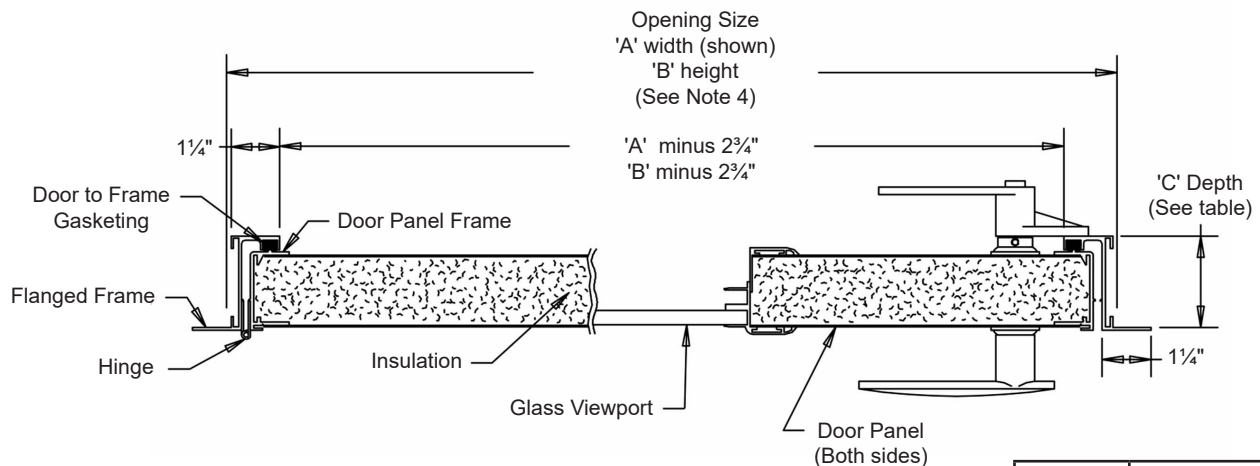
NOTES

1. Hinge always furnished on "B" height dimension.
2. (G) designates doors with glass viewports. Specify (L/H) left hand or (R/H) right hand hinge when viewing from the outside.
3. 9" x 9" glass viewport not available on units under 18" in width. 12" x 12" viewports are not available on units under 21" in width.
4. Unless otherwise specified, door will be fabricated ¼" under listed size. Dimensional tolerance is ± .075.
5. Unless otherwise specified, standard viewport locations are as follows:
 'H' = 'B' - 11" (±1") when 'B' is 20" to 60"
 'H' = 48" (±1") when 'B' is greater than 60"
 (When specifying non-standard viewport locations, 'H' cannot be greater than 'B' - 11".)
6. Door width cannot exceed two times its height.
7. Please refer to the installation instructions for mounting of handles and door assembly mounting.
8. In-swing doors are recommended for positive pressures. Out-swing doors are recommended for negative pressures.



DOOR SIZES

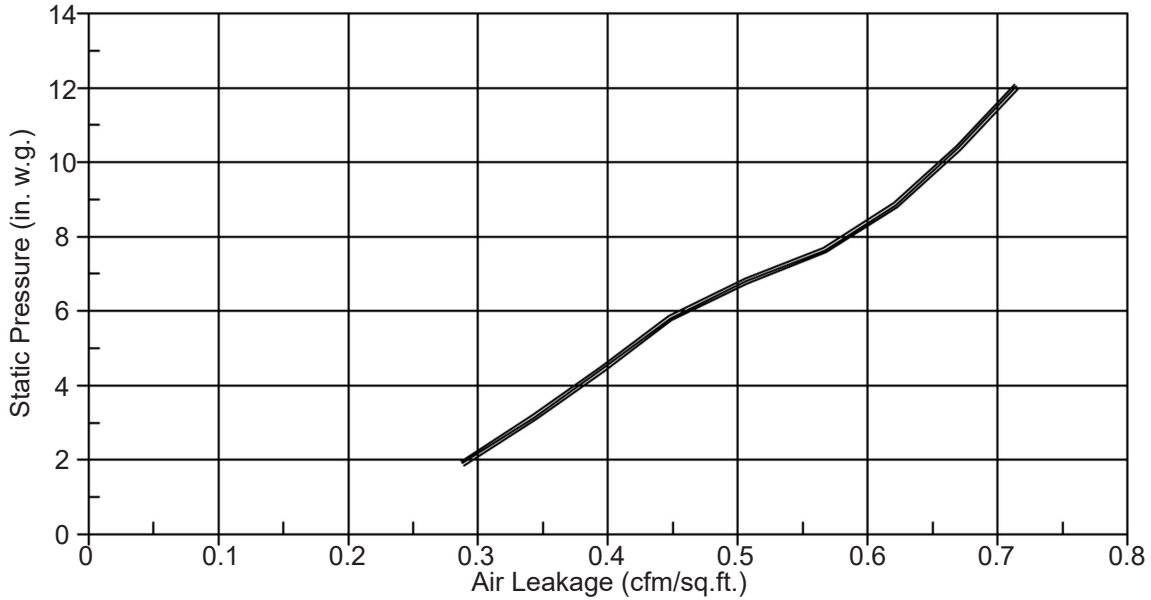
Min Size	Max Size
12"W x 12"H	48"W x 96"H



Model	'C' Depth
10	1 3/8"
15	1 7/8"
20	2 3/8"

DOOR LEAKAGE DATA

Door Leakage Performance



Model AHF-10 and AHF-20 Water Leakage Performance

Water leakage results are based upon testing per ASTM E 331-86 "Water Penetration of Exterior Windows, Curtain Walls, and Door by a Uniform Static Air Pressure Difference". The tests consisted of mounted doors under a pressure difference of 2 in. w.g. and subjecting them to a uniform water spray for 15 minutes. The spray was equivalent to a torrential rainfall rate of 8 in./hr. Over the 15 minute period Model AHF-10 and AHF-20 (24"x60") door allowed approximately 0.4 gallons of water penetration (3.5 fl oz./min.).

Item #	Qty	-10	-15	-20	Left Hand	Right Hand	"A" Width	"B" Height	"H" (When Required)			
		Door Model			Door Hinge		Opening Size		Non-Standard Viewport Location**			Union Made
Arch. / Eng.:						EDR:		ECN:		Job:		
Contractor:												
Project:						Date:		DWN:		DWG:		

**See Note 5 on Page 1.