

**STANDARD MATERIALS AND CONSTRUCTION**

**FRAME:** 12-GA (.081" nominal) extruded aluminum. Hat channel, on four (4) sides, with reinforcing bosses and groove inserts for silicone seals. 5" deep.

**BLADE:** 12-GA (.081" nominal) extruded aluminum. Single unit airfoil design, with the pin-lock an integral section within the blade core. 6" wide (4" and 5" wide available).

**SHAFTS:** 1/2" dia. extruded aluminum, pin-lock design interlocking into blade section.

**BEARINGS:** "Double-Sealed" type with celcon inner bearing on axle riding in polycarbonate outer bearing inserted in frame so that outer bearing cannot rotate. Axle bearings to be designed for no metal-to-metal or metal-to-bearing riding surfaces. Interconnecting linkage to have celcon bearings to eliminate friction in linkage.

**SEALS:** Extruded silicone rubber seal. Stainless steel spring jamb seals. Fit into dovetail-shaped slots on both frames and blades.

**LINKAGE:** In jamb. Aluminum crank-arm permanently locked to blade shaft by two stainless steel fasteners. Crank-arm contains a 1/2" dia., machined steel trunnion riding in a celcon bearing. A plated steel 1/4" - 20 set screw with locking patch ties the pivot to the 5/16" dia. aluminum linkage rod. Linkage of each damper is individually adjusted.

**FINISH:** Mill.

**OPTIONS**

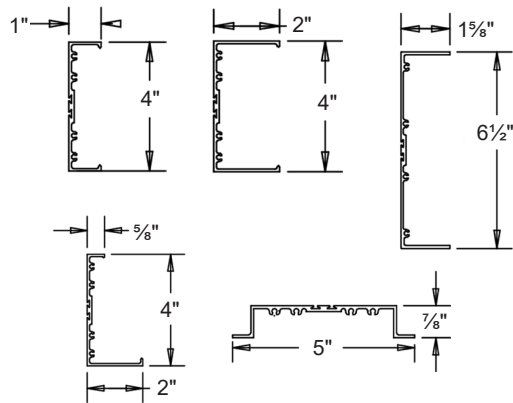
- Hand Quadrants
- 120V, 24V Electric, or Pneumatic Actuators
- Jackshifting
- Auxiliary Switch
- Explosion Proof Housing

**NOTES**

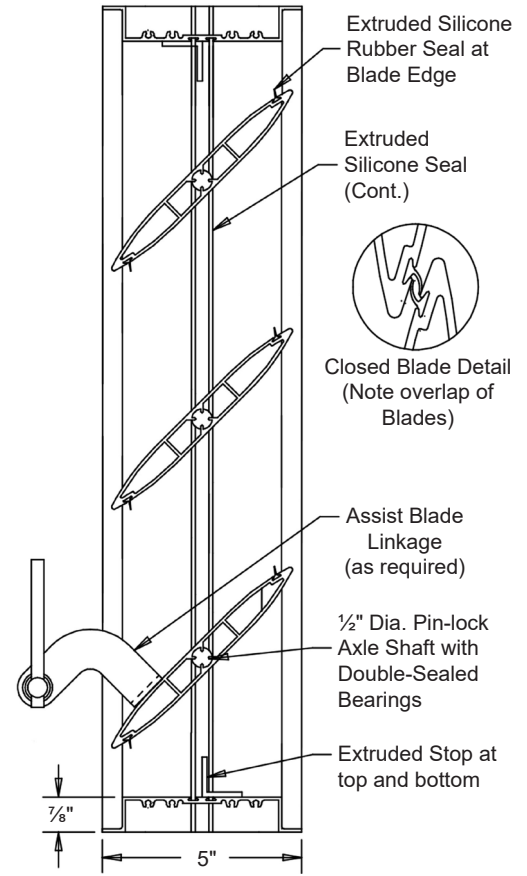
1. Nominal deductions will be made to the opening size given.
2. Please specify whether opposed or parallel blade orientation is required.
3. Approximate shipping weight is 5.5 lbs./sq.ft.

**DAMPER SIZES**

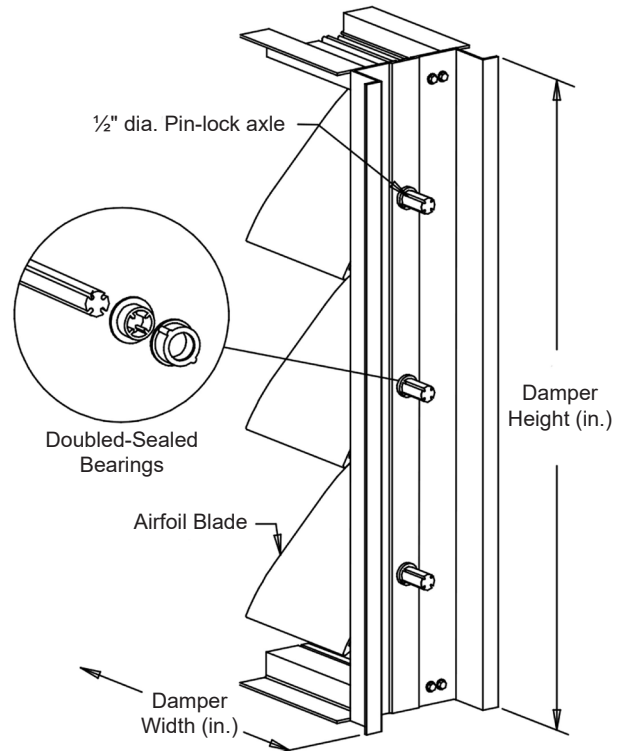
Model	Min Panel	Max Single Panel
Parallel	6"W x 6 1/4"H	60"W x 96"H
Opposed	6"W x 6 1/4"H	60"W x 96"H



Optional Frames Available



Not to scale.



Not to scale.



Dampers ▲ Louvers  
UL Life Safety Products  
Division of Mestek  
Member of AMCA

airbalance.com

In the interest of product development, Air Balance reserves the right to make changes without notice.  
450 Riverside Dr • Wyalusing PA, 18853 • Phone 570-746-1888 • Fax 570-746-9286

**STANDARD MATERIALS AND CONSTRUCTION**

**FRAME:** 12-GA (.081" nominal) extruded aluminum. Hat channel, on four (4) sides, with reinforcing bosses and groove inserts for silicone seals. 5" deep.

**BLADE:** 12-GA (.081" nominal) extruded aluminum. Single unit airfoil design, with the pin-lock an integral section within the blade core. 6" wide (4" and 5" wide available).

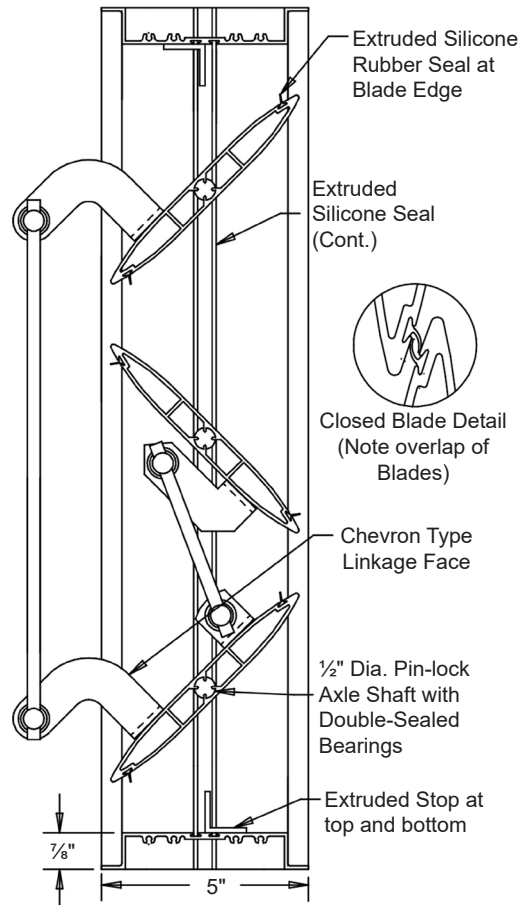
**SHAFTS:** 1/2" dia. extruded aluminum, pin-lock design interlocking into blade section.

**BEARINGS:** "Double-Sealed" type with celcon inner bearing on axle riding in polycarbonate outer bearing inserted in frame so that outer bearing cannot rotate. Axle bearings to be designed for no metal-to-metal or metal-to-bearing riding surfaces. Interconnecting linkage to have celcon bearings to eliminate friction in linkage.

**SEALS:** Extruded silicone rubber seal. Stainless steel spring jamb seals. Fit into dovetail-shaped slots on both frames and blades.

**LINKAGE:** In jamb. Aluminum crank-arm permanently locked to blade shaft by two stainless steel fasteners. Crank-arm contains a 1/2" dia., machined steel trunnion riding in a celcon bearing. A plated steel 1/4 - 20 set screw with locking patch ties the pivot to the 5/16" dia. aluminum linkage rod. Linkage of each damper is individually adjusted.

**FINISH:** Mill.



Not to scale.

**OPTIONS**

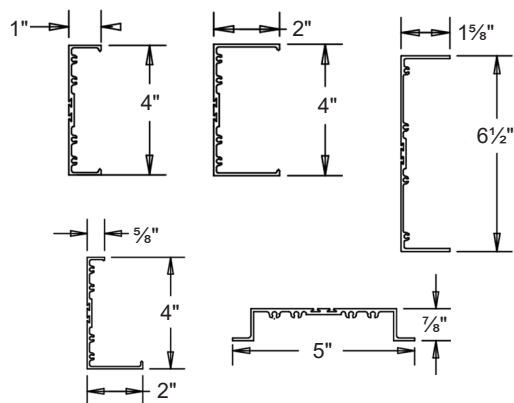
- Hand Quadrants
- 120V, 24V Electric, or Pneumatic Actuators
- Jackshaftering
- Auxiliary Switch
- Explosion Proof Housing

**NOTES**

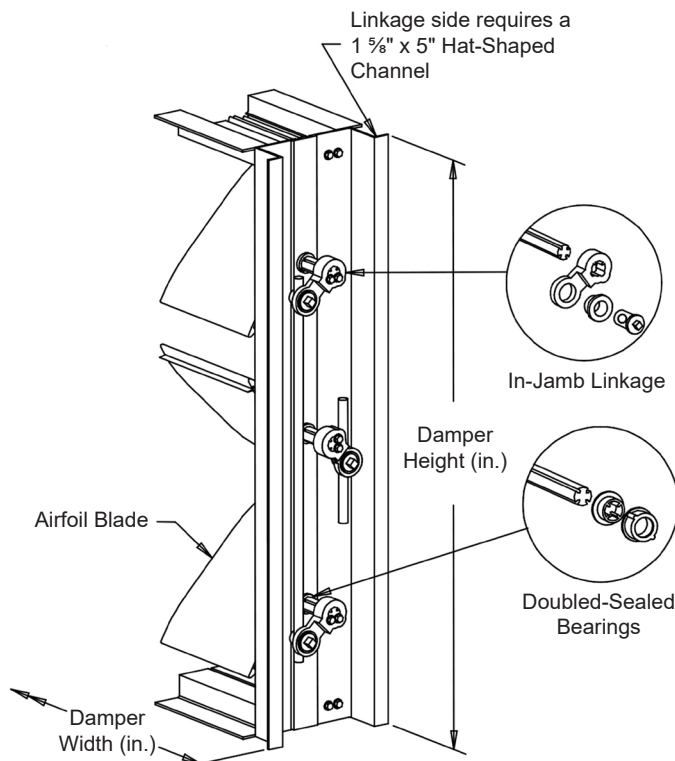
1. Nominal deductions will be made to the opening size given.
2. Please specify whether opposed or parallel blade orientation is required.
3. Approximate shipping weight is 5.5 lbs./sq.ft.

**DAMPER SIZES**

Model	Min Panel	Max Single Panel
Parallel	6"W x 6 1/4"H	60"W x 96"H
Opposed	6"W x 6 1/4"H	60"W x 96"H



Optional Frames Available



Not to scale.