

**STANDARD MATERIALS AND CONSTRUCTION**

- FRAME:** Frame optional. See Page 2 for available options.
- VBS:** 0.465" deep hat channel, 0.063" thick (nominal)  
6063-T5 aluminum alloy vertical blade support (VBS).
- BLADE:** 0.063" thick (nominal) extruded aluminum, 6063-T5 alloy.
- FINISH:** Mill

**OPTIONS**

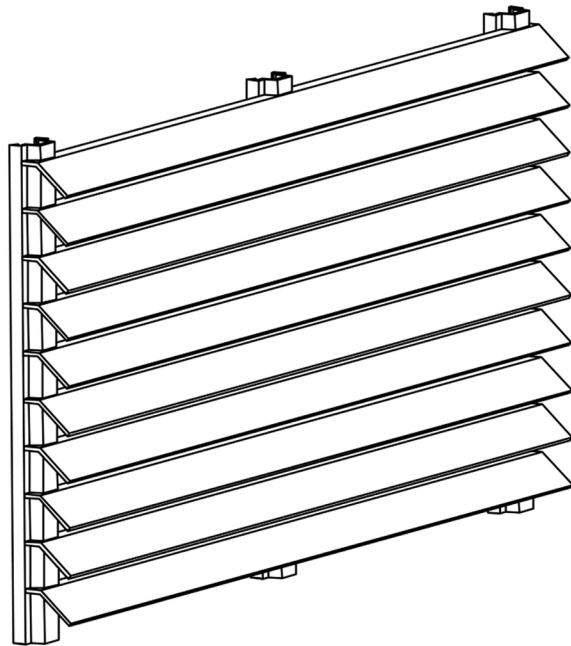
Finish - Anodized, Painted

**NOTES**

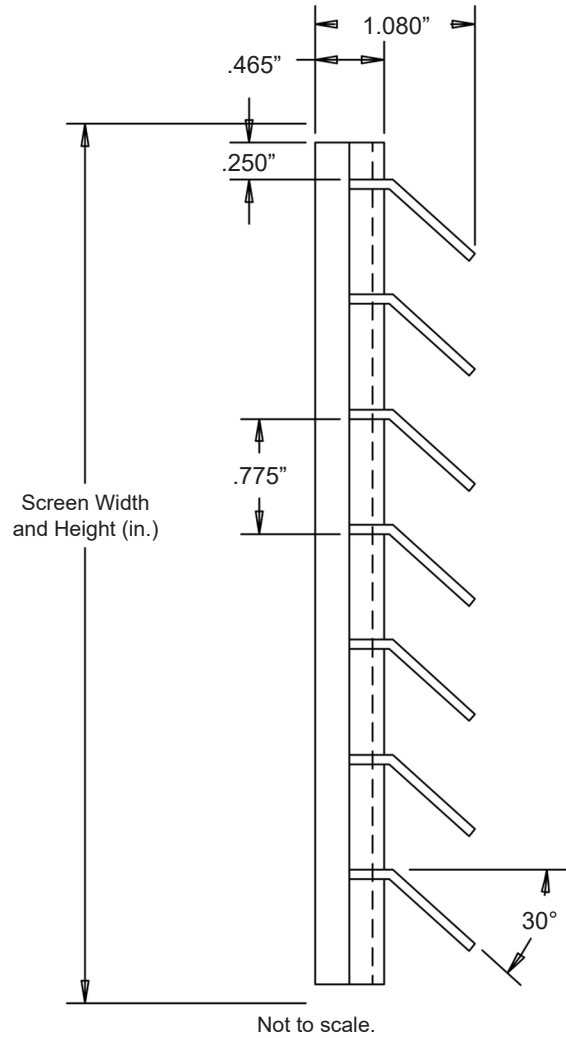
1. 1/2" nominal deduction will be made to the opening size given for standard and optional frame construction.
2. Contact the factory for louver sizes larger than 96"W x 48"H.
3. Approximate shipping weight is 1.6 lbs./sq.ft.

**LOUVER SIZES**

Min Panel	Max Single Panel
12"W x 12"H	96"W x 48"H



Not to scale.



								
<b>Item #</b>	<b>Qty</b>	<b>Width</b>	<b>Height</b>	<b>Mullion</b>				
<b>Arch. / Eng.:</b>		<b>Screen Size</b>		<b>EDR:</b>	<b>ECN:</b>	<b>Job:</b>		
<b>Contractor:</b>								
<b>Project:</b>				<b>Date:</b>	<b>DWN:</b>	<b>DWG:</b>		

FREE AREA TABLES

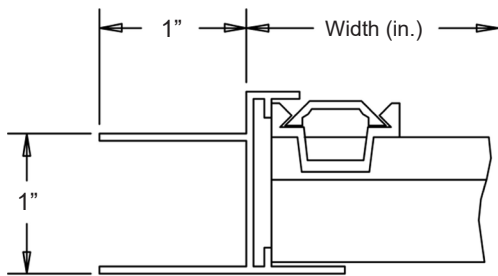
Free Area (sq.ft.)

		Width in. (mm)							
		12" (305)	24" (610)	36" (914)	48" (1219)	60" (1254)	72" (1829)	84" (2134)	96" (2438)
Height in. (mm)	12" (305)	.63 (0.059)	1.33 (0.124)	2.03 (0.189)	2.78 (0.258)	3.48 (0.323)	4.18 (0.388)	4.88 (0.453)	5.63 (0.523)
	24" (610)	1.29 (0.120)	2.72 (0.253)	4.16 (0.386)	5.70 (0.529)	7.13 (0.662)	8.57 (0.796)	10.00 (0.929)	11.55 (1.073)
	36" (914)	1.94 (0.180)	4.09 (0.380)	6.25 (0.581)	8.57 (0.796)	10.73 (0.997)	12.88 (1.197)	15.04 (1.397)	17.36 (1.613)
	48" (1219)	2.60 (0.242)	5.49 (0.510)	8.38 (0.779)	11.50 (1.068)	14.39 (1.337)	17.28 (1.605)	20.12 (1.869)	23.28 (2.163)

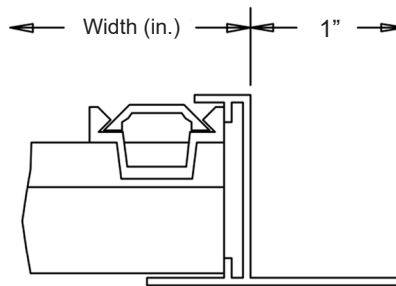
Free Area (% Free Area)

		Width in. (mm)							
		12" (305)	24" (610)	36" (914)	48" (1219)	60" (1254)	72" (1829)	84" (2134)	96" (2438)
Height in. (mm)	12" (305)	63.00	66.50	67.67	69.50	69.60	69.67	69.71	70.38
	24" (610)	64.50	68.00	69.33	71.25	71.30	71.42	71.43	72.19
	36" (914)	64.67	68.17	69.44	71.42	71.53	71.56	71.62	72.33
	48" (1219)	65.00	68.63	69.83	71.88	71.95	72.00	71.86	72.75

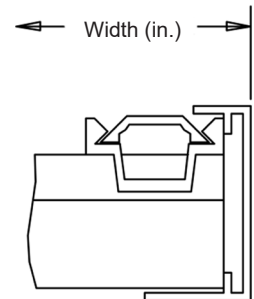
FRAME OPTIONS



Glazing Frame  
(Optional)



Flanged Frame  
(Optional)



Channel Frame  
(Optional)