

**Severe Weather Louver** ▲ 7" Deep ▲ Combination Stationary ▲ Straight and Chevron Blades ▲ Sightproof ▲ Extruded Aluminum

### STANDARD MATERIALS AND CONSTRUCTION

**FRAME:** .081" thk. (nominal) extruded aluminum, 6063-T52/T6 alloy.

**BLADE:** .081" thk. (nominal) extruded aluminum, 6063-T52/T6 alloy.  
Horizontal blades approximately 3" on center, vertical blades approximately 1<sup>3</sup>/<sub>16</sub>" on center.

**LOUVER FACE:** Head and blades are contained within jambs, sill contains jambs.

**SCREENS:** (When indicated, in a removable frame.)

1/2" flattened aluminum (.051" thick),

-or- 1/2" sq. mesh, intermediate double-crimped aluminum wire, .063" dia.,

-or- 18/16 mesh, .011" dia. aluminum wire, insect screen.

**DRAIN PAN:** .060" thk. (nominal) formed aluminum with welded and caulked end dams.

**FINISH:** Mill

### OPTIONS

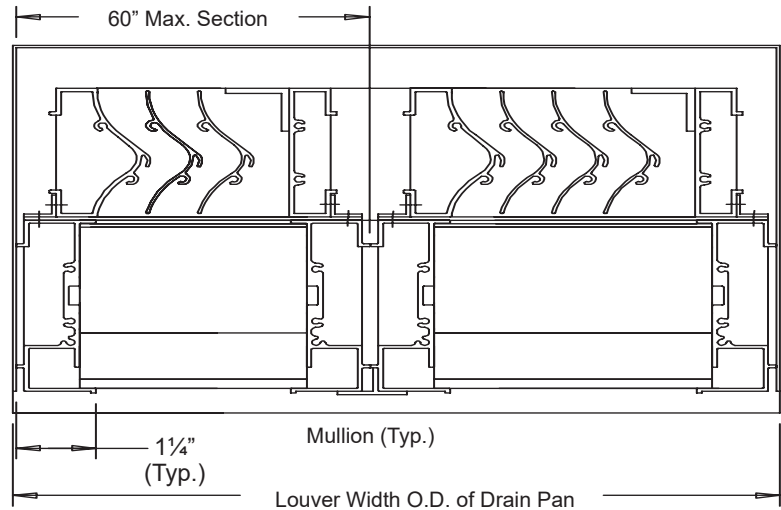
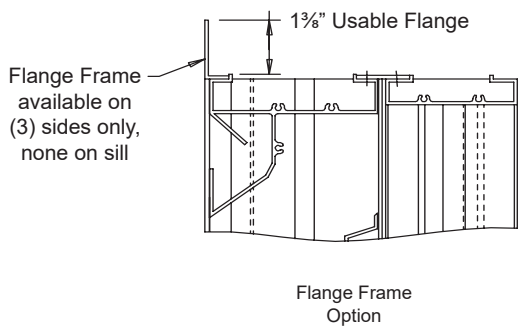
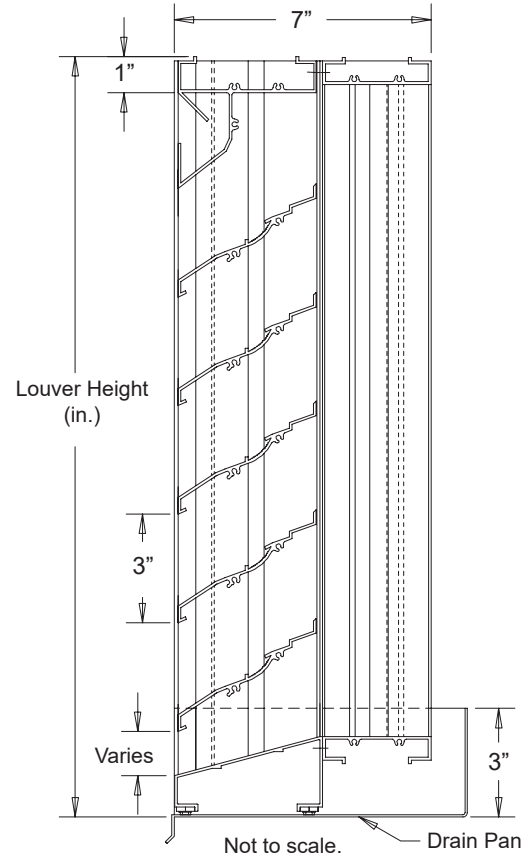
Finish - Baked Enamel, Kynar, Anodized

### NOTES

- 1/2" nominal deduction will be made to the opening size given.
- Louvers larger than the maximum factory assembled size will require field assembly of smaller louver sections.
- Approximate shipping weight is 10.5 lbs./sq.ft.

### LOUVER SIZES

Min Panel	Max Single Panel
12"W x 12"H	60"W x 96"H (30) sq. ft.



Item #	Qty	Width	Height	Width	Height	Mullion	Type	Location	Screens	Union Made
		Opening Size		Louver Size						
Arch. / Eng. :						EDR:		ECN:		Job:
Contractor:										
Project:						Date:		DWN:		DWG:



**Severe Weather Louver** ▲ 7" Deep ▲ Combination Stationary ▲ Straight and Chevron Blades ▲ Sightproof ▲ Extruded Aluminum

## PERFORMANCE DATA

Pressure Drop: .022 in. wg at 400 fpm

Free Area: 6.78 sq.ft. (42.4%) for 48"W x 48"H sample tested in accordance with AMCA Standard 500-L.

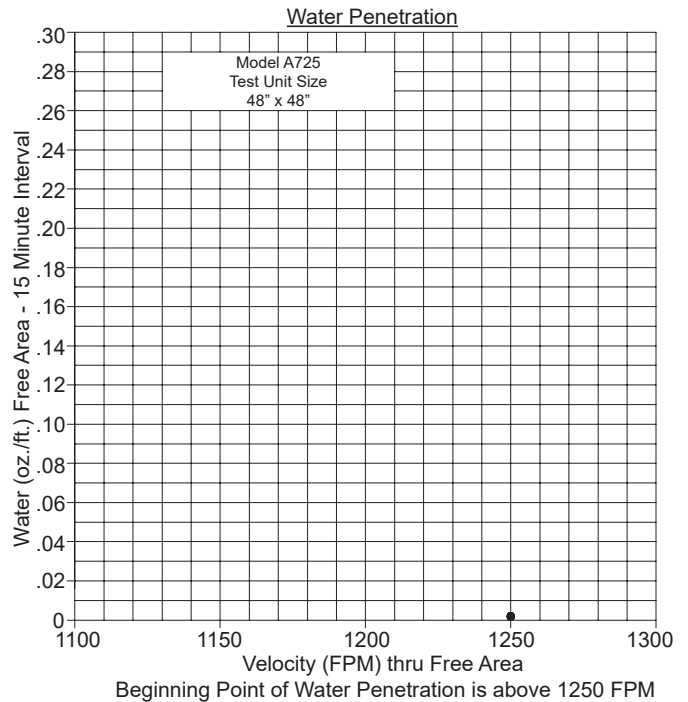
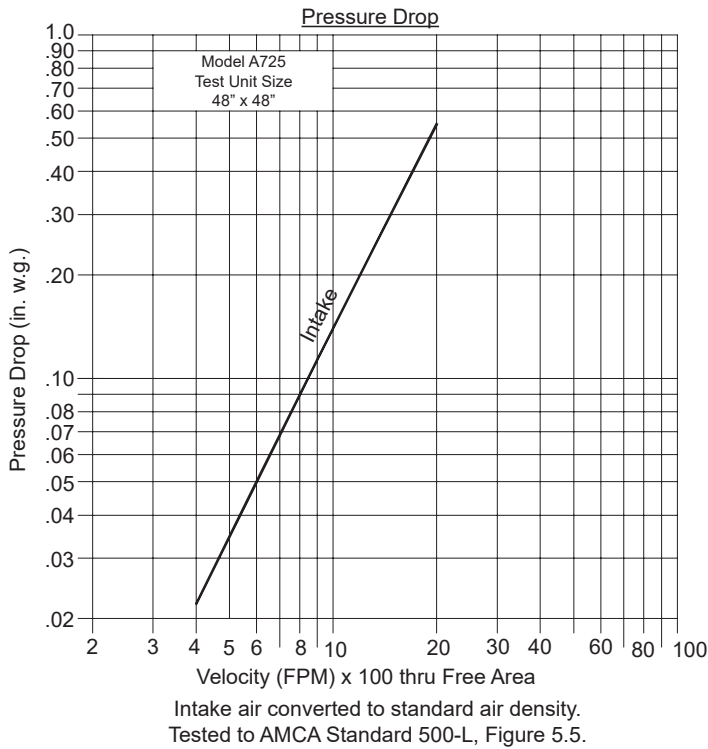
Beginning Point of Water Penetration: Greater than 1250 fpm

Class "A" Rating with 100% efficiency at 3 in. rain fall at intake velocity of 1560 fpm (10,574 cfm) at wind speed of 29 mph.

Class "A" Rating with 99.9% efficiency at 8 in. rain fall at intake velocity of 1565 fpm (10,612 cfm) at wind speed of 50 mph.

Testing based on 48" x 48" based on AMCA Standard 500-L.

Ratings do not include effects of a screen.



Free Area (sq.ft.)

		Width (in.)								
		12"	18"	24"	30"	36"	42"	48"	54"	60"
Height (in.)	12"	.26	.44	.62	.79	.97	1.15	1.32	1.50	1.68
	24"	.62	1.03	1.45	1.86	2.27	2.69	3.10	3.51	3.93
	36"	.99	1.64	2.30	2.96	3.61	4.27	4.93	5.59	6.24
	48"	1.36	2.26	3.17	4.07	4.98	5.88	6.78	7.69	8.59
	60"	1.71	2.85	3.99	5.14	6.28	7.42	8.56	9.70	10.84
	72"	2.07	3.45	4.82	6.20	7.58	8.96	10.34	11.71	13.09
	84"	2.42	4.04	5.65	7.27	8.88	10.50	12.11	13.73	15.34
	96"	2.80	4.67	6.54	8.41	10.28	12.15	14.02	15.89	17.76

**Severe Weather Louver ▲ 7" Deep ▲ Combination Stationary ▲ Straight and Chevron Blades ▲ Sightproof ▲ Extruded Aluminum**

Wind Driven Rainwater Penetration Test

Conducted to AMCA Standard 500-L.

Test size 1m x 1m (39.7" x 39.7") core area, 43.125" x 45.25" nominal.

Louver Free Area 6.78 square feet.

Core Ventilation (m/s)	0.0	0.5	1.0	1.5	2.0	2.5	3.0	3.5	4.0	4.5	5.0	Rain Fall / MPH
FPM	-	-	-	-	-	-	-	-	-	-	982	3 in. / hr. rain fall and 29 mph Velocity
Free Area Ventilation (cfm)	-	-	-	-	-	-	-	-	-	-	10,574	
Free Area Velocity (fpm)	-	-	-	-	-	-	-	-	-	-	1,560	
Effective Rating Class	A	A	A	A	A	A	A	A	A	A	A	
Effectiveness Ratio (%)	-	-	-	-	-	-	-	-	-	-	100	
FPM	-	-	-	-	-	-	-	-	-	884	986	8 in. / hr. rain fall and 50 mph Velocity
Free Area Ventilation (cfm)	-	-	-	-	-	-	-	-	-	9,523	10,612	
Free Area Velocity (fpm)	-	-	-	-	-	-	-	-	-	1,405	1,565	
Effective Rating Class	A	A	A	A	A	A	A	A	A	A	A	
Effectiveness Ratio (%)	-	-	-	-	-	-	-	-	-	100	99.9	

Wind Driven Rain Penetration Classifications

Class	Effectiveness %
A	100 to 99%
B	98.9% to 95%
C	94.9% to 80%
D	Below 80%

Discharge Loss Coefficient Classifications

Class	Discharge Loss Coefficient
1	0.4 and above
2	0.3 to 0.399
3	0.2 to 0.299
4	0.199 and below

Discharge Coefficient

Intake Cd = .34 (CLASS 2)

Class 1 Loss Coefficient has the least resistance to airflow.

1. Core area is the front opening of a louver assembly with the blades removed.
2. Core area velocity is the airflow rate through the louver divided by the core area (39.37" x 39.37").
3. Free area is the minimum area through which air can pass. It is determined by multiplying the sum of the minimum distance between intermediate blades, top blade and head, bottom blade and sill, by the minimum distance between jambs.
4. Discharge loss coefficient is calculated by dividing a louver actual airflow rate vs. a theoretical airflow for the opening, providing an indication of the louver air flow characteristics.



Air Balance certifies that the Model A725 shown herein is licensed to bear the AMCA Seal. The ratings shown are based on tests and procedures performed in accordance with AMCA Publication 511 and comply with the requirements of the AMCA Certified Ratings Program. The AMCA Certified Ratings Seal applies to Air Performance, Water Penetration, and Wind Driven Rain only.