

Round Damper ▲ 7⁵/₈" Deep ▲ Single Thickness Blade ▲ Volume Control ▲ For Remote Locations ▲ Galvanized Steel

For use to 1 in. w.g. and 1500 FPM

STANDARD MATERIALS AND CONSTRUCTION

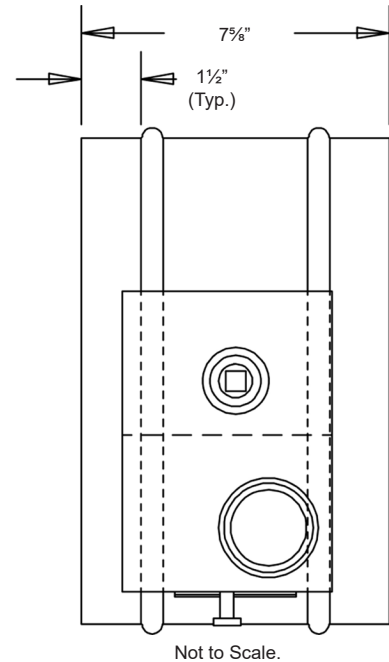
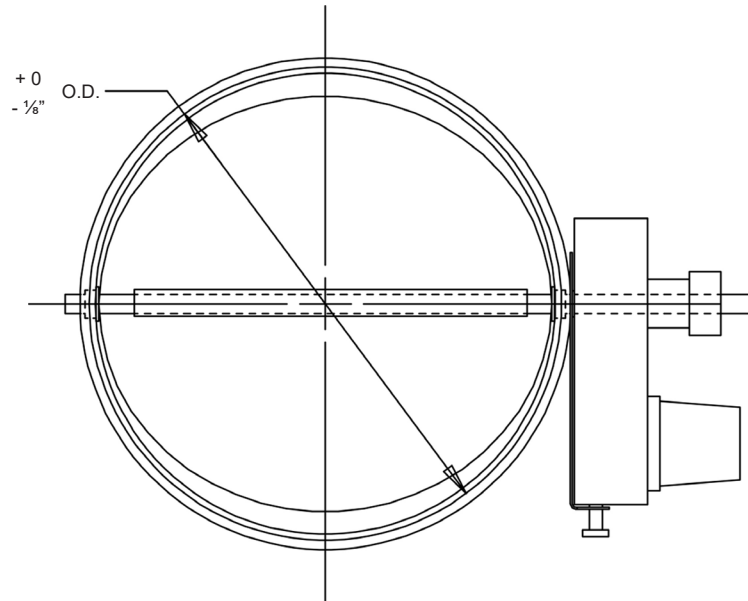
- FRAME:** 22 GA. galvanized steel, 7⁵/₈" deep with reinforcing ribs.
- BLADE:** 24 GA. galvanized steel.
- SHAFT:** 3/8" square aluminum, continuous length, with positive interlock to blade.
- BEARINGS:** Zytel plastic snap-in.
- ACTUATOR:** Gear drive fail in place. Power requirements 9 volt DC, powered through DC-1 or RCM-3 remote control.
- TEMP LIMIT:** 250°F.
- FINISH:** Mill.


NOTES

1. Nominal deductions will be made to the opening size given.
2. Round dampers are available in 2" increments only.
3. This damper is designed for air balancing for individual branch and zone control at difficult or remote locations. Damper balancing adjustments are quick and precise using a hand-held remote controller to adjust damper blade position.
4. This damper assembly does not require a continuous power source and is a "green-friendly product".
5. To calculate approximate shipping weight (lbs./in.), use the following formula:
Diameter (in.) × 0.45 (lbs./in.)

DAMPER SIZES

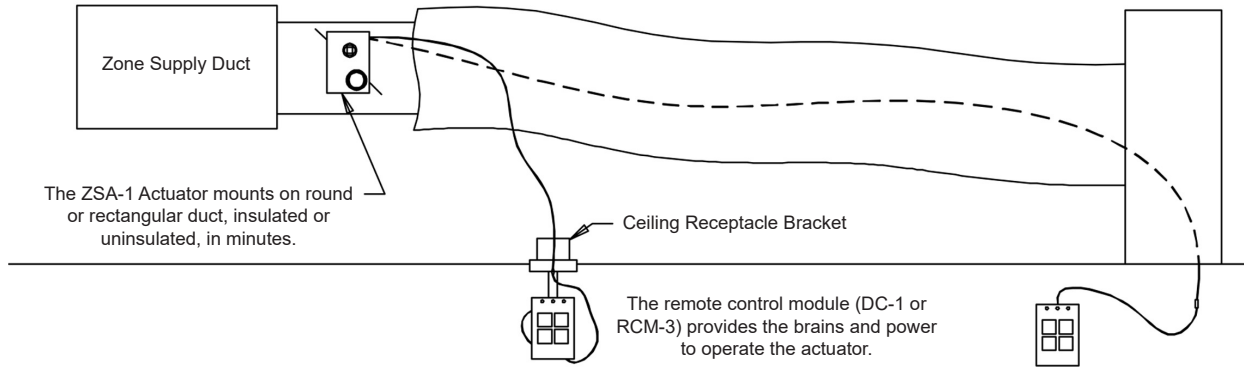
Min Dia.	Max Dia.
4" O.D.	16" O.D.



								 Union Made
Item #	Qty	Damper Size O.D.	Tagging	Remarks				
Arch. / Eng.:			EDR:		ECN:		Job:	
Contractor:								
Project:			Date:		DWN:		DWG:	

Round Damper ▲ 7⁵/₈" Deep ▲ Single Thickness Blade ▲ Volume Control ▲ For Remote Locations ▲ Galvanized Steel

Wireless Remote Control System for Air Balancing Damper Adjustments



Option 1: The Ceiling Receptacle Bracket

The "Ceiling Receptacle Bracket" interface method is well suited to wireless remote adjustment of the balancing damper.

Option 2: The Feed Thru

The "Feed Thru" method quick and easy and avoids having to drill a hole in the plenum or diffuser back pan for the power/signal cable.

