

**Extruded Aluminum Louver ▲ 6" Deep ▲ 35° Drainable Blades ▲ Combination Adjustable ▲ Concealed Mullion**

**STANDARD MATERIALS AND CONSTRUCTION**

**FRAME:** .081" thk. (nominal) extruded aluminum 6063-T52/T6 alloy.

**BLADES:** Stationary blades are .081" thk. (nominal) extruded aluminum 6063-T52/T6 alloy. Adjustable Blades are made from .125" thk. (nominal) extruded aluminum 6063-T52/T6 alloy. Blades are approximately 4½" on centers.

**LOUVER FACE:** Full width sill with head and blades contained within jambs. Concealed mullion with continuous length stationary blade.

**LINKAGE:** Extruded aluminum, concealed in the channel out of the airstream. The pivots, which rotate in Celcon bearings, are ½" dia. plated and machined steel. The pivot is locked to the ⅝" dia. aluminum linkage rod by a ¼ - 20 set screw with epoxy locking patch.

**BEARINGS:** Celcon bearing material so there will be no metal to metal friction.

**SHAFT:** ½" dia. aluminum "Pin-Lock" rod.

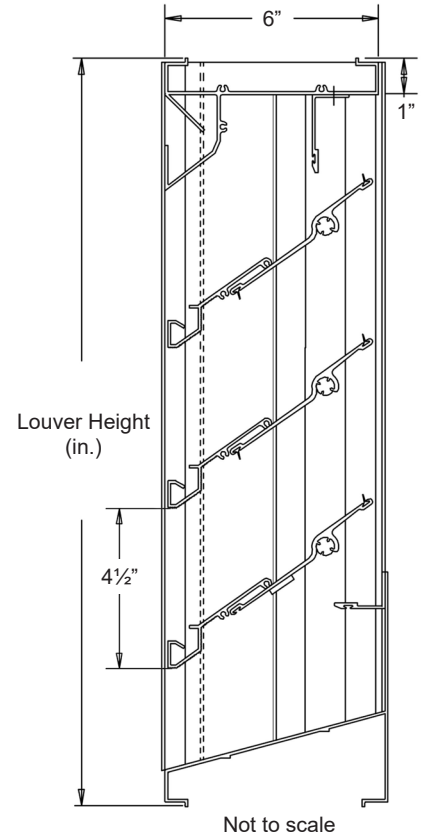
**SEALS:** Extruded silicone rubber seals at blade edge. Foam on bottom blade. Stainless steel at jambs.

**SCREEN:** (When indicated, in a removable frame)

- ½" flattened aluminum, .051" thk.,
- or- Insect screen ⅜" aluminum mesh, .011" dia.,
- or- ½" sq. mesh intermediate double crimped aluminum wire, .063" dia.

**FINISH:** Mill.

**ACTUATOR:** 120 VAC spring return normally closed.  
133 in-lbs. torque.



**OPTIONS**

Finishes - Enamels, Epoxies, etc.

Other screens available.

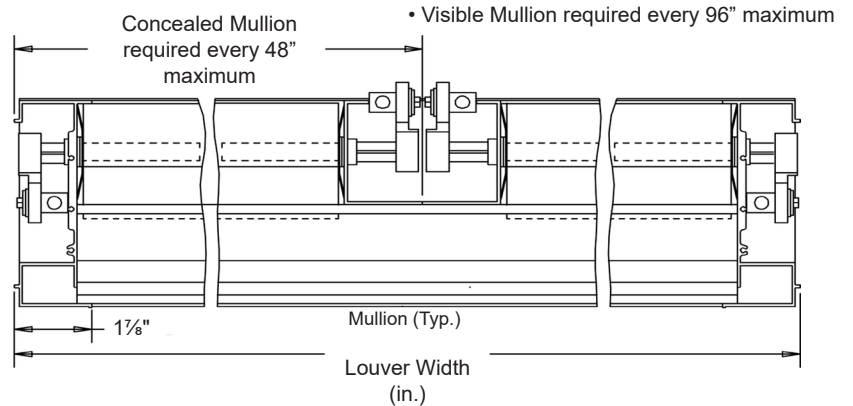
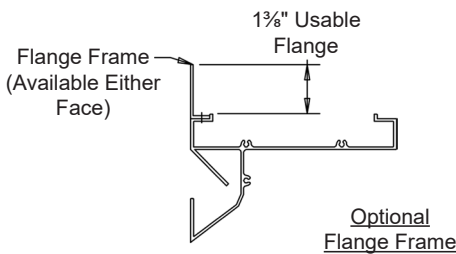
Actuators - Electric, Pneumatic, Manual, etc.

**NOTES**

1. ½" nominal deduction will be made to the opening size given.
2. Approximate shipping weight is 5.7 lbs./sq.ft.

**LOUVER SIZES**

|             |                  |
|-------------|------------------|
| Min Panel   | Max Single Panel |
| 12"W x 12"H | 96"W x 72"H      |



| Item #         | Qty | Width        | Height | Width       | Height | Mullion | Type | Location | Screens | Union Made |
|----------------|-----|--------------|--------|-------------|--------|---------|------|----------|---------|------------|
|                |     | Opening Size |        | Louver Size |        |         |      |          |         |            |
| Arch. / Eng. : |     |              |        |             |        | EDR:    |      | ECN:     |         | Job:       |
| Contractor:    |     |              |        |             |        |         |      |          |         |            |
| Project:       |     |              |        |             |        | Date:   |      | DWN:     |         | DWG:       |



Dampers ▲ Louvers  
UL Life Safety Products  
Division of Mestek  
Member of AMCA

airbalance.com

In the interest of product development, Air Balance reserves the right to make changes without notice.

450 Riverside Dr • Wyalusing PA, 18853 • Phone 570-746-1888 • Fax 570-746-9286