

Extruded Aluminum Louver ▲ 6" Deep ▲ 35° Drainable Blades ▲ Combination Adjustable ▲ Concealed Actuator

STANDARD MATERIALS AND CONSTRUCTION

FRAME: .081" thk. (nominal) extruded aluminum, 6063-T52/T6 alloy. Channel type.

BLADES: Stationary blades are made from .081" thk. (nominal) extruded aluminum 6063-T52/T6 alloy. Adjustable Blades are made from .125" thk. (nominal) extruded aluminum 6063-T52/T6 alloy. Blades are approximately 4½" on centers.

LOUVER FACE: Full width sill with head and blades contained within jambs.

SHAFT: .50" dia. aluminum "Pin-Lock" rod.

LINKAGE: Extruded aluminum, concealed in the channel out of the airstream. The pivots, which rotate in Celcon bearings, are .50" dia. plated and machined steel. The pivot is locked to the 5/16" dia. aluminum linkage rod by a ¼ - 20 set screw with epoxy locking patch.

SEALS: Extruded silicone rubber seals at blade edge. Foam on bottom blade. Stainless steel at jambs.

SCREEN: (When indicated, in a removable frame)
½" flattened aluminum, .051" thk.,

-or- Insect screen 18/16 aluminum mesh, .011" dia.,

-or- ½" sq. mesh intermediate double crimped aluminum wire, .063" dia.

FINISH: Mill.

ACTUATOR: 120 VAC spring return normally closed.
133 in-lbs. torque.

OPTIONS

Finishes - Enamels, Epoxies, etc.

Other screens available.

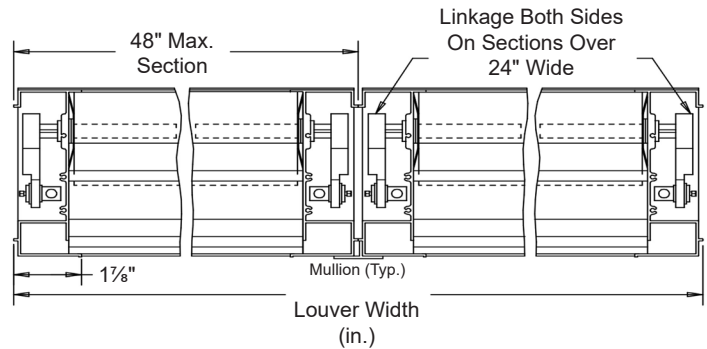
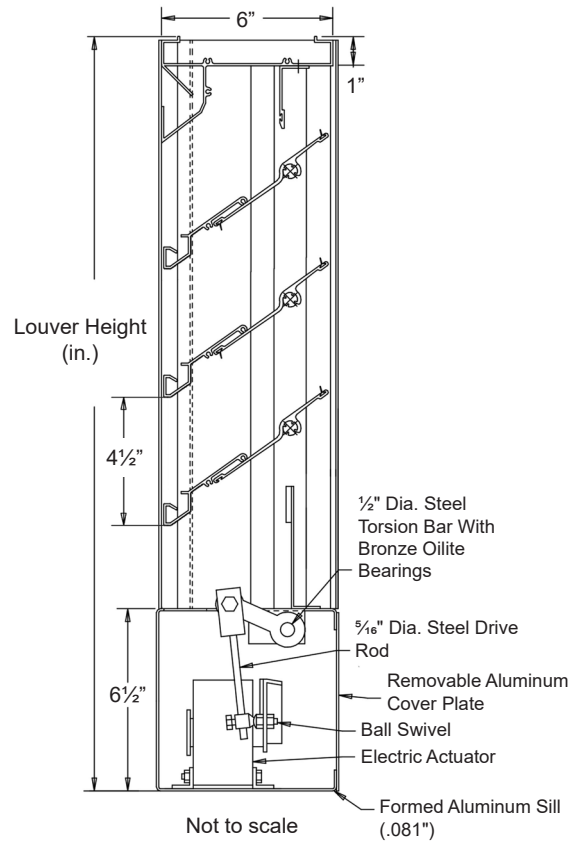
Actuators - Electric, Pneumatic, Manual, etc.

NOTES

1. ½" nominal deduction will be made to the opening size given.
2. Approximate shipping weight is 5.7 lbs./sq.ft.

LOUVER SIZES

Min Panel	Max Single Panel
12"W x 19"H	48"W x 96"H



Item #	Qty	Width	Height	Width	Height	Mullion	Type	Location	
		Opening Size		Louver Size					
Arch. / Eng. :						EDR:		ECN:	Job:
Contractor:									
Project:						Date:		DWN:	DWG:



Union Made