

**Extruded Aluminum Louver ▲ 6" Deep ▲ Baffle Blades ▲ Non-Drainable ▲ Adjustable ▲ Concealed Actuator**

**STANDARD MATERIALS AND CONSTRUCTION**

**FRAME:** .081" thk. (nominal) extruded aluminum, 6063-T52/T6 alloy. Channel type.

**BLADE:** .081" thk. (nominal) extruded aluminum 6063-T52/T6 alloy. Blades are approximately 4½" on centers.

**LOUVER FACE:** Full width sill with drain head and non-drain blades contained within drain jambs.

**SHAFT:** .50" dia aluminum "Pin-Lock" rod.

**BEARINGS:** Celcon bearing material so that there will be no metal to metal friction.

**LINKAGE:** Extruded aluminum, concealed in the channel out of the airstream. The pivots, which rotate in Celcon bearings, are .50" dia. plated and machined steel. The pivot is locked to the 5/16" dia. aluminum linkage rod by a ¼ - 20 set screw with epoxy locking patch.

**SEALS:** Extruded silicone rubber seals at blade edge. Polyurethane at jambs.

**SCREEN:** (When indicated, in a removable frame)  
½" flattened aluminum, .051" thk.,

-or- ½" sq. mesh intermediate double crimped aluminum wire, .063" dia.,

-or- 18/16 aluminum mesh insect screen, .011" dia.

**ACTUATOR:** 120 VAC, spring return normally closed.  
133 in-lbs. torque.

**FINISH:** Mill.

**OPTIONS**

Finishes - Enamels, Epoxies, etc.

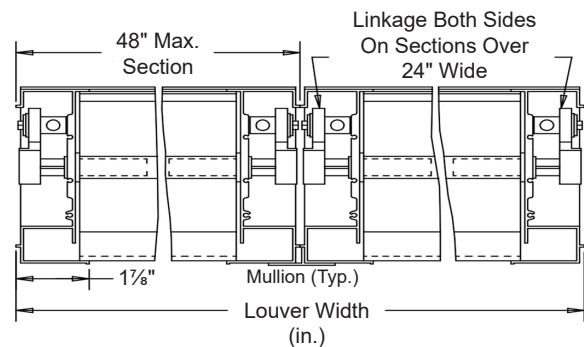
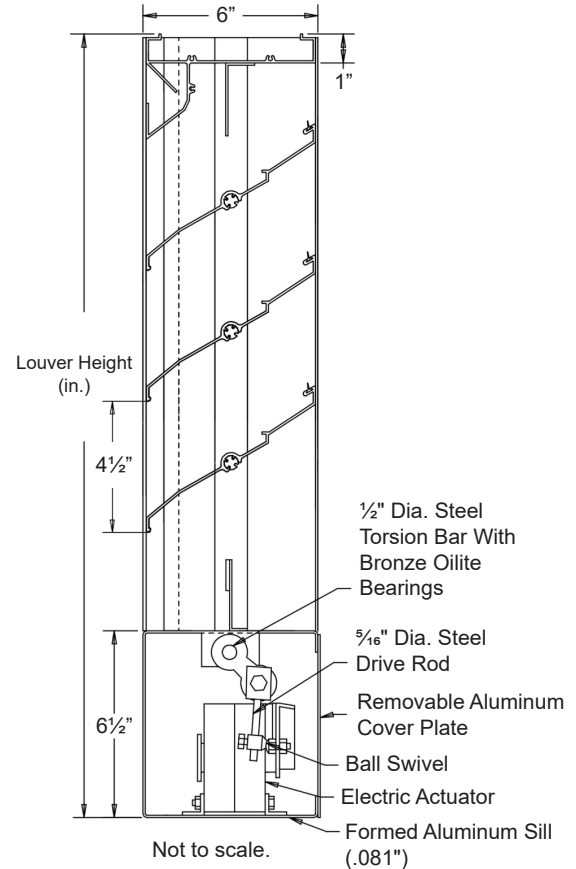
Other screens also available.

**NOTES**

- Nominal deductions will be made to the opening size given.
- Approximate shipping weight is 5.5 lbs./sq.ft.

**LOUVER SIZES**

Min Panel	Max Single Panel
12"W x 12"H	48"W x 96"H



Item #	Qty	Width	Height	Width	Height	Mullion	Type	Location	Union Made
		Opening Size		Louver Size			Screens		
Arch. / Eng. :						EDR:	ECN:	Job:	
Contractor:									
Project:						Date:	DWN:	DWG:	

