

**STANDARD MATERIALS AND CONSTRUCTION**

- FRAME:** .081" thick (nominal) extruded aluminum, 6063-T52/T6 alloy. Also available as .125" thick (nominal).
- BLADE:** .125" thick (nominal) extruded aluminum, 6063-T52/T6 alloy. Blades approximately 5 $\frac{3}{8}$ " on centers.
- LOUVER FACE:** Full width sill, with blades and head contained in jambs.
- SCREEN:** (When indicated.)
  - ½" flattened aluminum (.051" thick),
  - or- ½" sq. mesh, intermediate double-crimped aluminum wire, .063" dia.,
  - or- 1 $\frac{9}{16}$ " mesh, .011" dia. aluminum wire, insect screen.
- FINISH:** Mill

**OPTIONS**

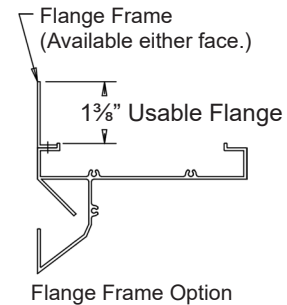
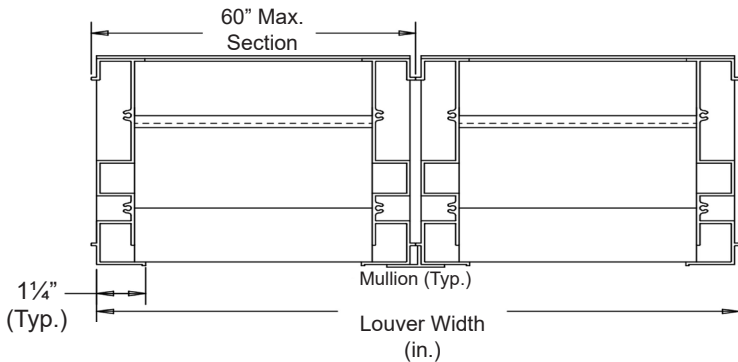
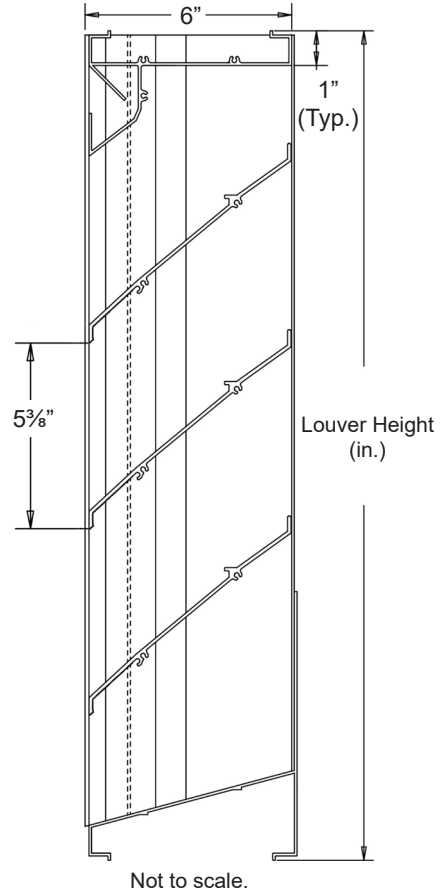
Finish - Baked Enamel, Kynar, Anodize

**NOTES**

1. Nominal deductions will be made to the opening size given.
2. Approximate shipping weight is 4.5 lbs./sq.ft.

**LOUVER SIZES**

Min Panel	Max Single Panel
12"W x 12"H	60"W x 96"H

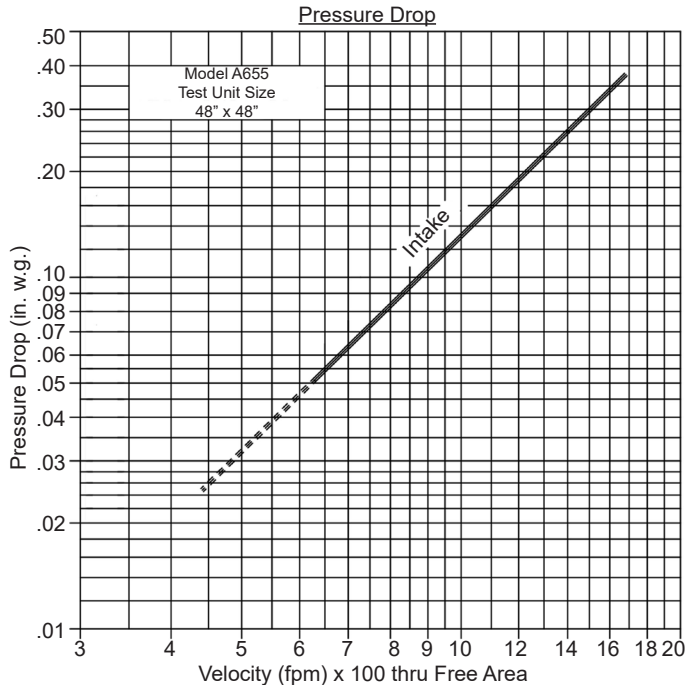


Item #	Qty	Width	Height	Width	Height	Mullion	Type	Location				
		Opening Size		Louver Size			Screens					
Arch. / Eng. :						EDR:		ECN:		Job:		
Contractor:												
Project:						Date:		DWN:		DWG:		

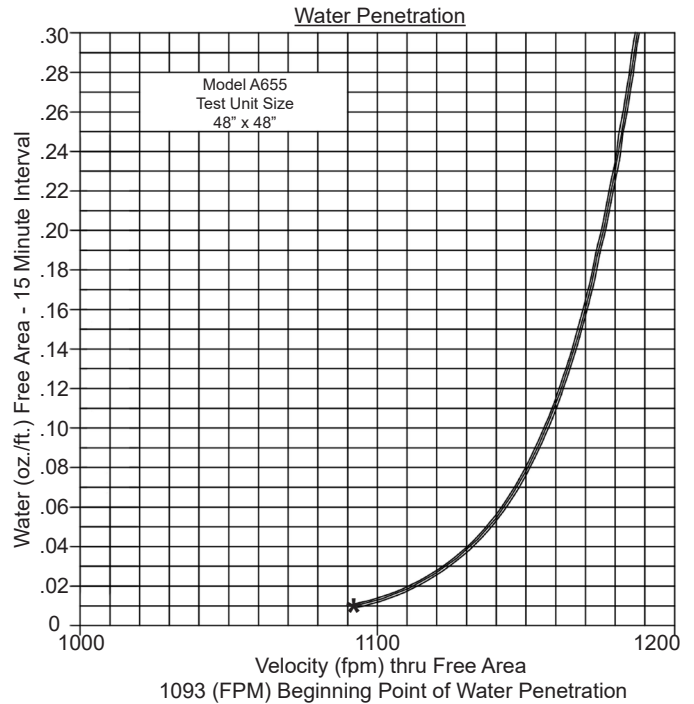
**PERFORMANCE DATA**

Pressure Drop: .16 in. w.g. at 1100 fpm (intake)  
 Free Area: 8.73 sq.ft. = 55% for 48"W x 48"H sample tested in accordance with AMCA Standard 500-L.  
 Beginning Point of Water Penetration: 1093 fpm

Ratings do not include effects of a screen.



Intake air converted to standard air density.  
 Tested to AMCA Standard 500-L, Figure 5.5.



		Free Area (sq.ft.)								
		Width (in.)								
		12"	18"	24"	30"	36"	42"	48"	54"	60"
Height (in.)	12"	.25	.41	.57	.73	.89	1.05	1.21	1.36	1.52
	24"	.77	1.26	1.75	2.24	2.73	3.22	3.71	4.20	4.69
	36"	1.29	2.10	2.92	3.73	4.55	5.36	6.18	6.99	7.81
	48"	1.81	2.96	4.10	5.24	6.39	7.53	8.73	9.81	10.96
	60"	2.36	3.85	5.34	6.83	8.32	9.81	11.30	12.79	14.28
	72"	2.86	4.67	6.48	8.29	10.10	11.91	13.72	15.53	17.34
	84"	3.38	5.51	7.64	9.77	11.91	14.04	16.17	18.30	20.44
	96"	4.09	6.68	9.26	11.85	14.43	17.01	19.60	22.18	24.77



Air Balance certifies that the Model A655 shown herein is licensed to bear the AMCA Seal. The ratings shown are based on tests and procedures performed in accordance with AMCA Publication 511 and comply with the requirements of the AMCA Certified Ratings Program. The AMCA Certified Ratings Seal applies to Water Penetration and Air Performance ratings only.