

**STANDARD MATERIALS AND CONSTRUCTION**

**FRAME:** .081" thk. (nominal) extruded aluminum, 6063-T52/T6 alloy. Channel type.

**BLADES:** Stationary blades are made from .081" thk. (nominal) extruded aluminum 6063-T52/T6 alloy. Adjustable blades are made from .125" thk. (nominal) extruded aluminum 6063-T52/T6 alloy, in an Airfoil design. Blades are approximately 4 1/2" on centers.

**LOUVER FACE:** Full width head and sill with blades and jambs contained within.

**SHAFT:** .50" dia. aluminum "Pin-Lock" rod.

**LINKAGE:** Extruded aluminum, concealed in the channel out of the airstream. The pivots, which rotate in Celcon bearings, are .50" dia. plated and machined steel. The pivot is locked to the 5/16" dia. aluminum linkage rod by a 1/4" - 20 set screw with epoxy locking patch.

**SEALS:** Extruded silicone rubber seals at blade edge. Foam on bottom blade. Stainless steel at jambs.

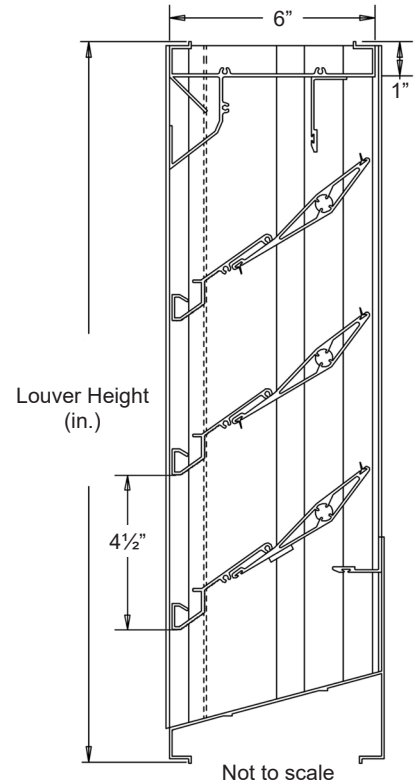
**SCREEN:** (When indicated, in a removable frame)

1/2" flattened aluminum, .051" thk.,

-or- Insect screen 1 5/16" aluminum mesh, .011" dia.,

-or- 1/2" sq. mesh intermediate double crimped aluminum wire, .063" dia.

**FINISH:** Mill.



**OPTIONS**

Finishes - Enamels, Epoxies, etc.

Other screens available.

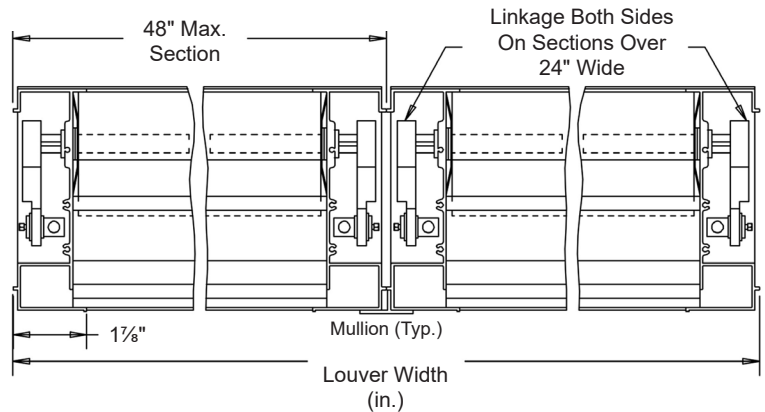
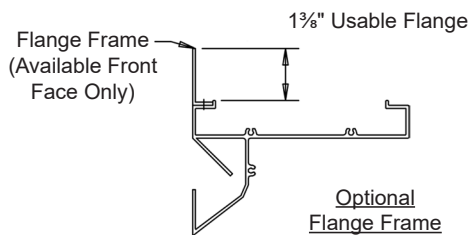
Actuators - Electric, Pneumatic, Manual, etc.


**NOTES**

1. 1/2" nominal deduction will be made to the opening size given.
2. Approximate shipping weight is 5.8 lbs./sq.ft.

**LOUVER SIZES**

Min Panel	Max Single Panel
12"W x 12"H	48"W x 96"H

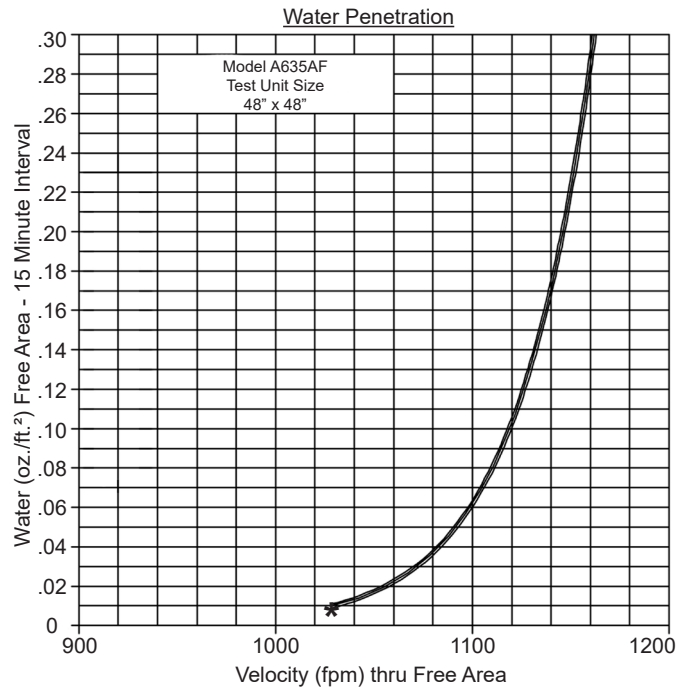
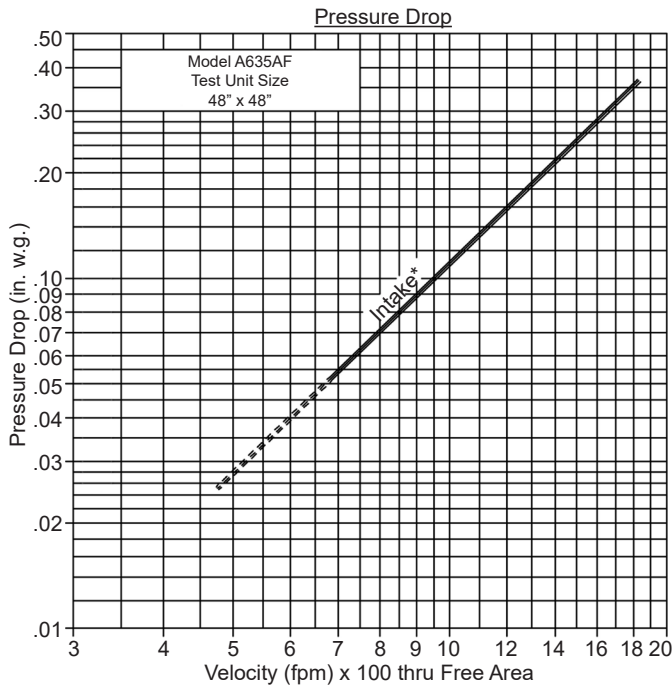


										
<b>Item #</b>	<b>Qty</b>	<b>Width</b>	<b>Height</b>	<b>Width</b>	<b>Height</b>	<b>Mullion</b>	<b>Type</b>	<b>Location</b>		
		<b>Opening Size</b>		<b>Louver Size</b>			<b>Screens</b>			<b>Union Made</b>
<b>Arch. / Eng. :</b>						<b>EDR:</b>		<b>ECN:</b>		<b>Job:</b>
<b>Contractor:</b>										
<b>Project:</b>						<b>Date:</b>		<b>DWN:</b>		<b>DWG:</b>

**PERFORMANCE DATA**

Pressure Drop: .14 in. w.g. at 1026 fpm  
 Free Area: 8.24 sq.ft. = 52% for 48"W x 48"H sample tested in accordance with AMCA Standard 500-L.  
 Beginning Point of Water Penetration: 1029 fpm

Ratings do not include the effects of a screen.



1029 (FPM) Beginning Point of Water Penetration.

\*Intake air converted to standard air density.  
 Tested to AMCA Standard 500-L, Figure 5.5.

		Free Area (sq.ft.)						
		Width (in.)						
		12"	18"	24"	30"	36"	42"	48"
Height (in.)	12"	.14	.24	.34	.45	.55	.65	.76
	24"	.64	1.12	1.60	2.08	2.55	3.03	3.51
	36"	1.00	1.76	2.51	3.26	4.02	4.77	5.52
	48"	1.50	2.62	3.74	4.87	5.99	7.11	8.24
	60"	2.00	3.50	4.99	6.49	7.99	9.49	10.99
	72"	2.36	4.14	5.91	7.68	9.45	11.23	13.00
	84"	2.86	5.00	7.14	9.28	11.42	13.57	15.71
	96"	3.36	5.87	8.39	10.91	13.43	15.94	18.46

Air Leakage with adjustable blade in closed position with a seating torque of 6.25 in.lb./sq.ft. of Louver Face Area. Leakage is based on a test of a 48" x 48" louver.

Air leakage (Louver Installation Position, Intake) is per AMCA Standard 500 Procedure Fig. 5.5.

